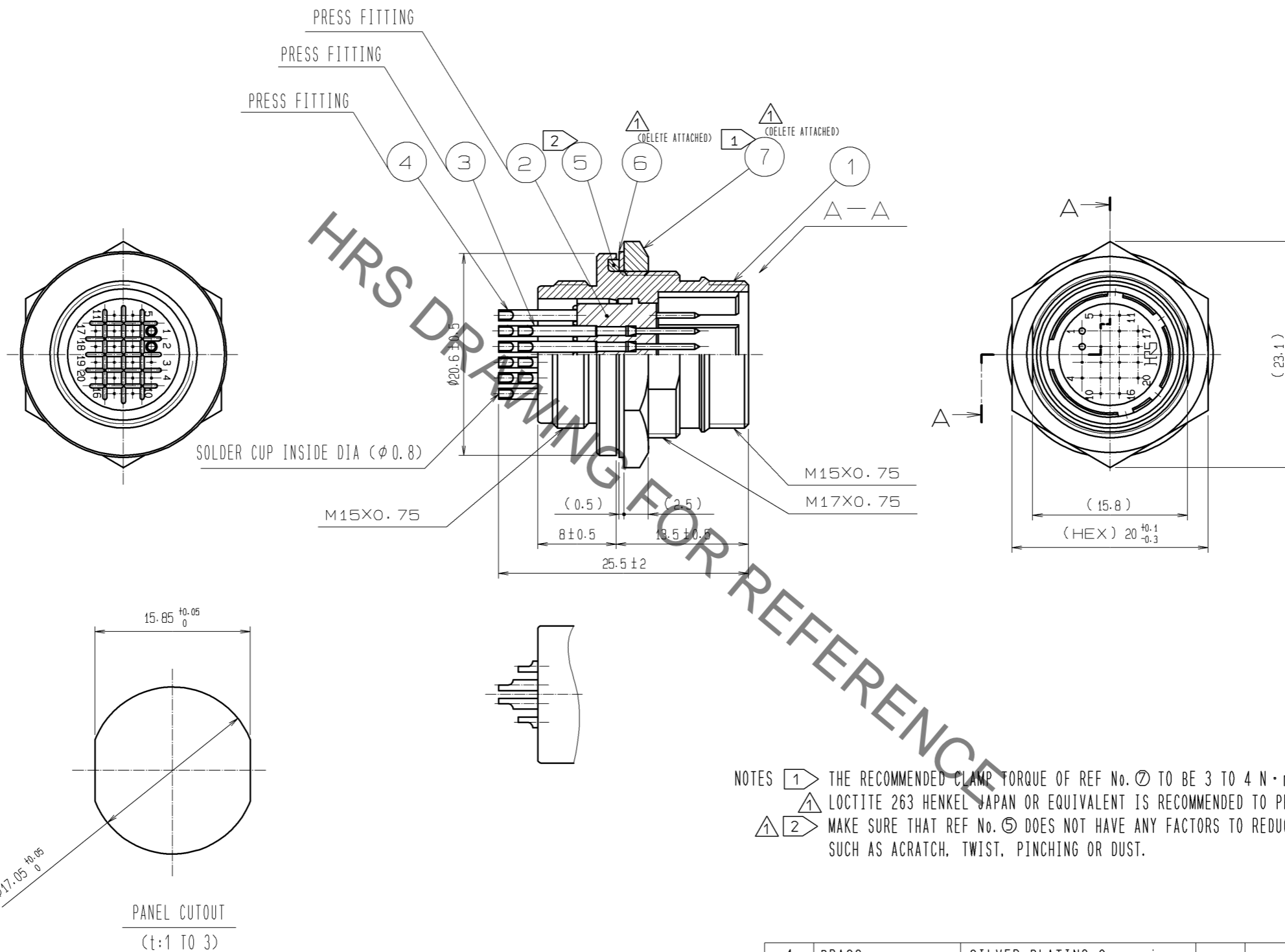


Sep.1.2021 Copyright 2021 HIROSE ELECTRIC CO., LTD. All Rights Reserved.
In case of consideration for using Automotive equipment / device which demand high reliability, kindly contact our sales window correspondents.



- NOTES
- ① THE RECOMMENDED CLAMP TORQUE OF REF No. ⑦ TO BE 3 TO 4 N · m.
 - ① LOCTITE 263 HENKEL JAPAN OR EQUIVALENT IS RECOMMENDED TO PREVENT REF No. ⑦ FROM LOOSENING.
 - ② MAKE SURE THAT REF No. ⑤ DOES NOT HAVE ANY FACTORS TO REDUCE WATER-RESISTANCY SUCH AS ACRATCH, TWIST, PINCHING OR DUST.

NO.	MATERIAL	FINISH . REMARKS	NO.	MATERIAL	FINISH . REMARKS
4	BRASS	SILVER PLATING 2μm min.			
3	BRASS	SILVER PLATING 2μm min.	7	BRASS	NICKEL PLATING
2	PBT	(BLACK) UL94V-0	6	BRASS	NICKEL PLATING
1	ZINC ALLOY	NICKEL PLATING	5	SILICONE RUBBER	(BLACK)

UNITS mm		SCALE 2 : 1	COUNT 4	DESCRIPTION OF REVISIONS DIS-C-003146	DESIGNED DS. MATSUNE	CHECKED HY. KISHI	DATE 13.07.17
HRS HIROSE ELECTRIC CO., LTD.		APPROVED : MO. SATOH 07.12.27	DRAWING NO. EDC3-043814-73				
		CHECED : YH. YAMADA 07.12.27	PART NO. HR22-12WTRA-20P(73)				
		DESIGNED : DS. MATSUNE 07.12.26	CODE NO. CL122-0013-8-73				
		DRAWN : HN. TANAKA 07.12.14					

Mouser Electronics

Authorized Distributor

Click to View Pricing, Inventory, Delivery & Lifecycle Information:

[Hirose Electric:](#)

[HR22-12WTRA-20P\(73\)](#)