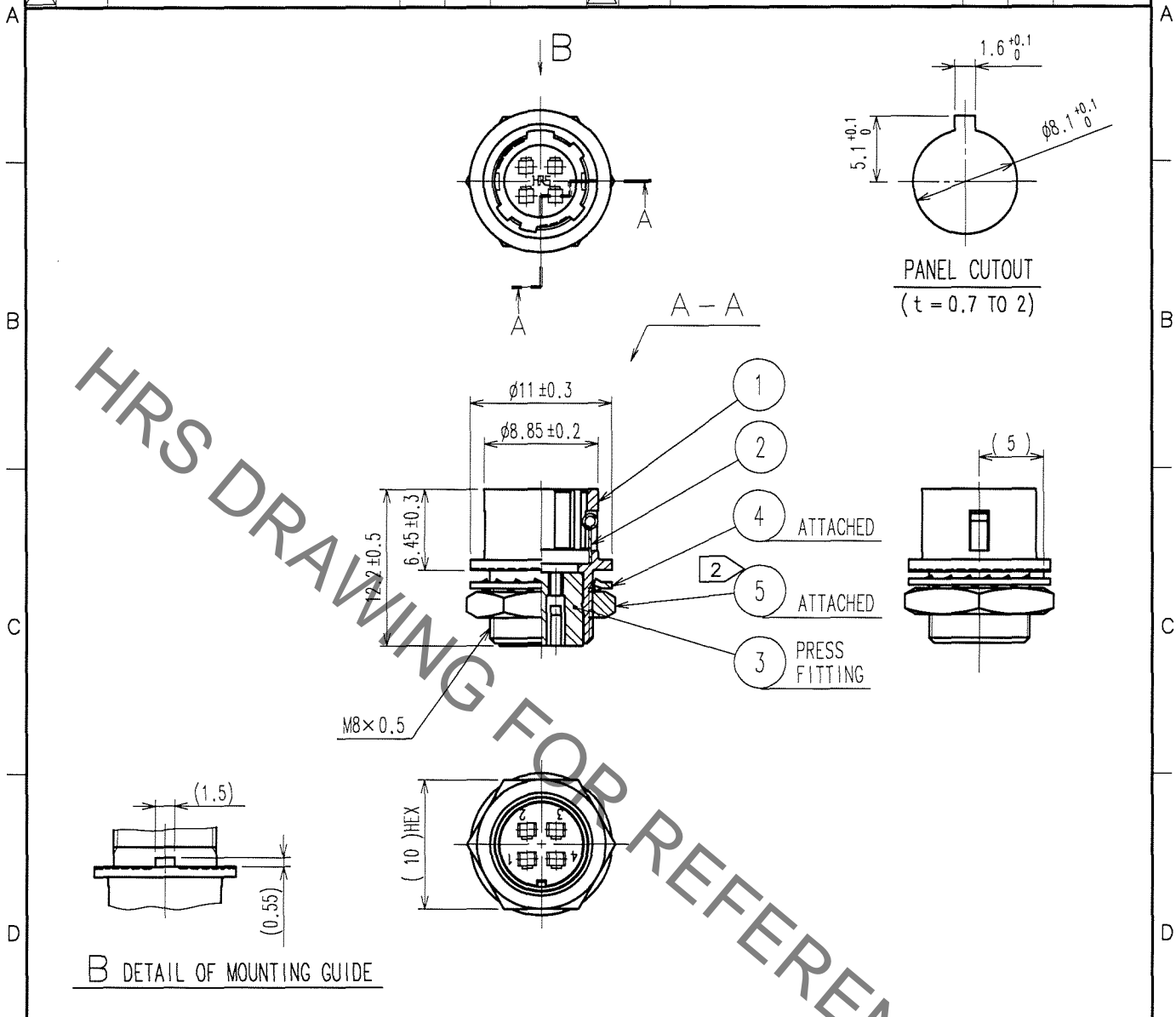


Aug.1.2021 Copyright 2021 HIROSE ELECTRIC CO., LTD. All Rights Reserved.  
In case of consideration for using Automotive equipment / device which demand high reliability, kindly contact our sales window correspondents.

1		2			3			4		
COUNT	DESCRIPTION OF REVISIONS	BY	CHKD	DATE	COUNT	DESCRIPTION OF REVISIONS	BY	CHKD	DATE	
△					△					
△					△					
△					△					



NOTES 1 APPLICABLE CRIMP CONTACT:HR10-PC-212(CL110-0514-3)  
 APPLICABLE WIRE:AWG#26 TO #30(COVERED WIRE MAX,OUTSIDE DIA.φ1)  
 APPLICABLE CONTACT REMOVAL TOOL(EXTRACTION TOOL):RP6-SC-TP(CL150-0039-0)  
 2 THE RECOMMENDED CLAMP TORQUE OF REF. NO. ⑤ TO BE 1.5 N·m.  
 LOCTITE 242, HENKEL JAPAN OR EQUIVALENT IS RECOMMENDED TO  
 PREVENT REF. NO. ⑤ FROM LOOSENING.

NO.	MATERIAL	FINISH, REMARKS	NO.	MATERIAL	FINISH, REMARKS
3	POLYBUTYLENE TEREPHTHALATE	(BLACK) UL94V-0			
2	STAINLESS STEEL		5	BRASS	NICKEL PLATING
1	ZINC ALLOY	MATTE FINISH NICKEL PLATED	4	PHOSPHOR BRONZE	NICKEL PLATING

CODE NO. (OLD)	DRAWN	DESIGNED	CHECKED	APPROVED	RELEASED
CL	<i>M. Sato</i>	<i>T. Horie</i>	<i>E. Kurita</i>	<i>M. Sato</i>	
	07.04.11	07.04.11	07.04.11	07.04.11	

TO
R

 SCALE 2 : 1 UNITS mm	DRAWING NO. EDC4-042725-73 	PART NO. HR10G-7R-4PC(73) CODE NO. CL110-1702-9-73	1 1
	HIROSE ELECTRIC CO.,LTD.		FORM NO. 228

# Mouser Electronics

Authorized Distributor

Click to View Pricing, Inventory, Delivery & Lifecycle Information:

[Hirose Electric:](#)

[HR10G-7R-4PC\(73\)](#)