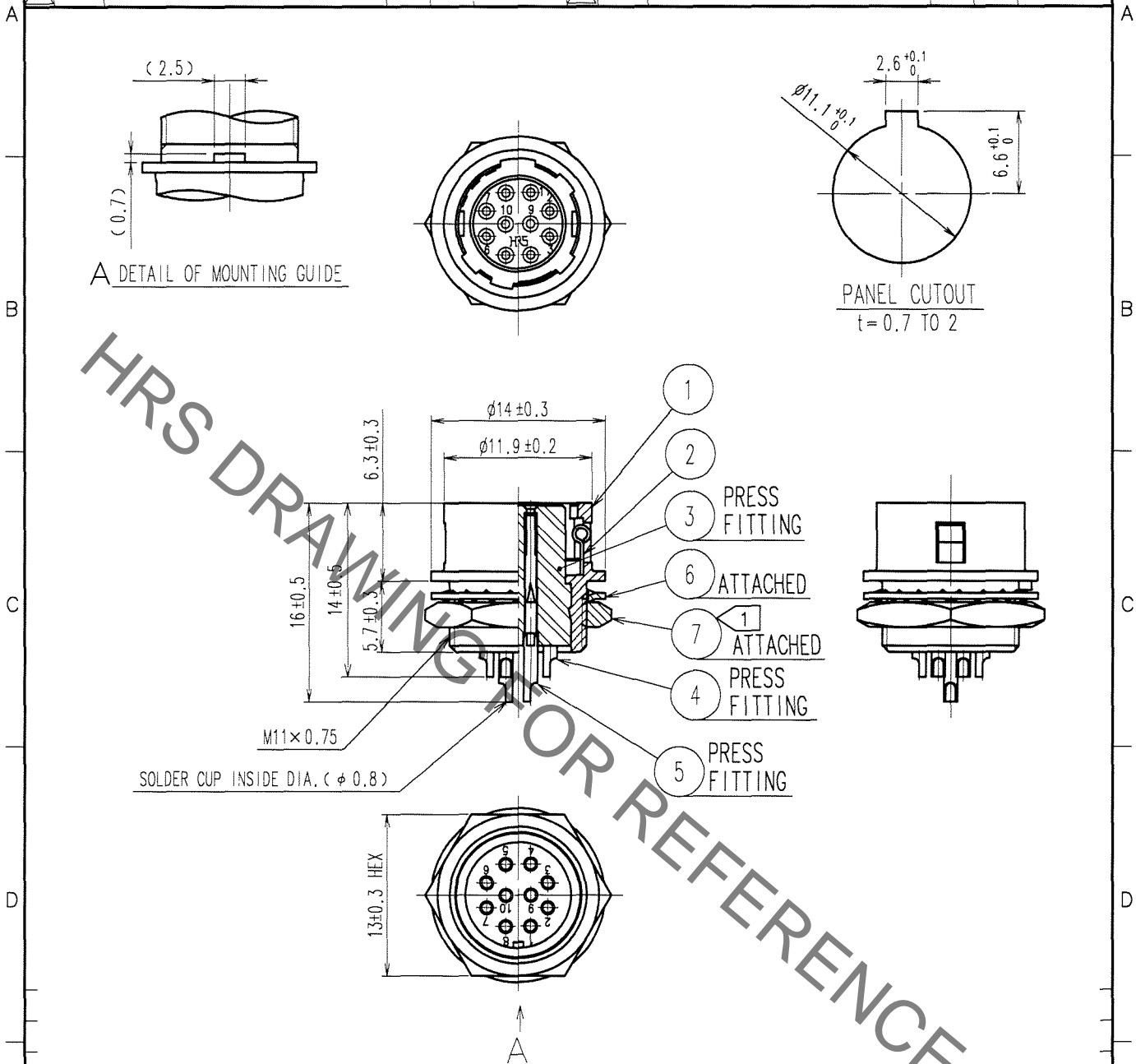


Aug.1.2021 Copyright 2021 HIROSE ELECTRIC CO., LTD. All Rights Reserved.
In case of consideration for using Automotive equipment / device which demand high reliability, kindly contact our sales window correspondents.

1		2			3			4		
COUNT	DESCRIPTION OF REVISIONS	BY	CHKD	DATE	COUNT	DESCRIPTION OF REVISIONS	BY	CHKD	DATE	
1	DIS-C-000585	T.K.E.K		07.07.27						



NO.	MATERIAL	FINISH, REMARKS	NO.	MATERIAL	FINISH, REMARKS
3	POLYAMIDE	(BLACK) UL94V-0	7	BRASS	NICKEL PLATING
2	STAINLESS STEEL		6	PHOSPHOR BRONZE	NICKEL PLATING
1	ZINC ALLOY	MATTE FINISH NICKEL PLATED	5	PHOSPHOR BRONZE	OVER PLATING: GOLD 0.2μ m min. UNDER PLATING: NICKLE 2μ m min.
4			4	PHOSPHOR BRONZE	

CODE NO. (OLD) CL	DRAWN M.SATO '07 03 26	DESIGNED T.HORII '07 03 27	CHECKED E.KUNII '07 03 27	APPROVED M.SATO '07 03 28	RELEASED
----------------------	------------------------------	----------------------------------	---------------------------------	---------------------------------	----------

SCALE 2 : 1	DRAWING NO. EDC4-042710-72	PART NO. HR10G-10R-10S(72)
UNITS mm	HRS HIROSE ELECTRIC CO., LTD.	CODE NO. CL110-1607-8-72

TO
R

Mouser Electronics

Authorized Distributor

Click to View Pricing, Inventory, Delivery & Lifecycle Information:

[Hirose Electric:](#)

[HR10G-10R-10S\(72\)](#)