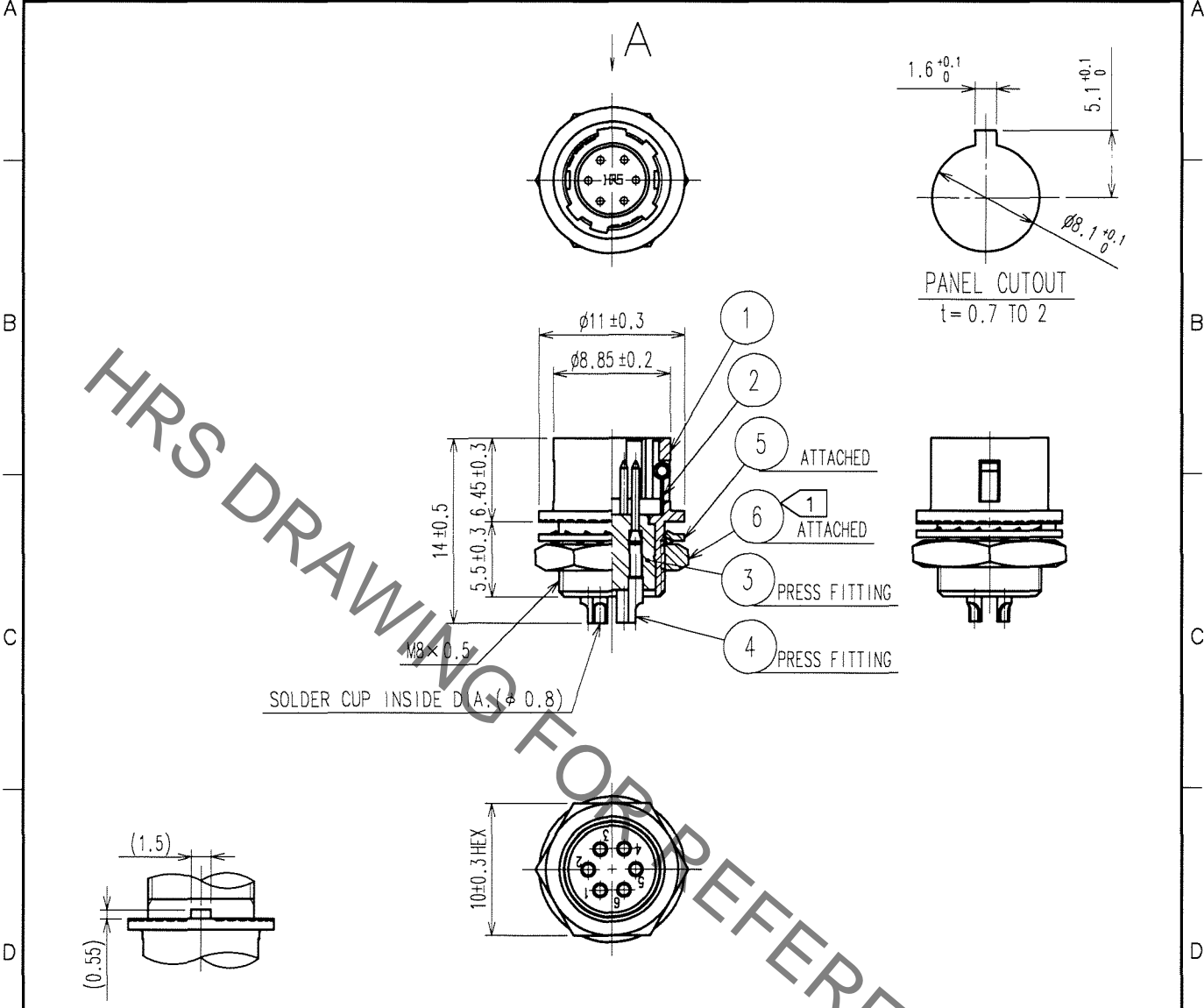


Aug.1.2021 Copyright 2021 HIROSE ELECTRIC CO., LTD. All Rights Reserved.
 In case of consideration for using Automotive equipment / device which demand high reliability, kindly contact our sales window correspondents.

1		2			3			4		
COUNT	DESCRIPTION OF REVISIONS	BY	CHKD	DATE	COUNT	DESCRIPTION OF REVISIONS	BY	CHKD	DATE	
△					△					
△					△					
△					△					



HRS DRAWING FOR REFERENCE

NOTE ① THE RECOMMENDED CLAMP TORQUE, REF. NO. ⑥ : 1.5N · m.
 LOCTITE 242, HENKEL JAPAN OR EQUIVALENT IS RECOMMENDED TO PREVENT REF. NO. ⑥ FOR LOOSENING.

NO.	MATERIAL	FINISH, REMARKS	NO.	MATERIAL	FINISH, REMARKS
3	POLYAMIDE	(BLACK) UL94V-0	6	BRASS	NICKEL PLATING
2	STAINLESS STEEL		5	PHOSPHOR BRONZE	NICKEL PLATING
1	ZINC ALLOY	MATTE FINISH NICKEL PLATED	4	BRASS	SILVER PLATING 2μ m min.

CODE NO. (OLD) CL	DRAWN <i>M. Sato</i> 07.03.26	DESIGNED <i>T. Morita</i> 07.03.27	CHECKED <i>E. Kunii</i> 07.03.27	APPROVED <i>N. Sato</i> 07.03.28	RELEASED
----------------------	-------------------------------------	--	--	--	----------

 SCALE 2 : 1 UNITS mm	DRAWING NO. EDC4-042709-73 HIROSE ELECTRIC CO., LTD.	PART NO. HR10G-7R-6P(73) CODE NO. CL110-1606-5-73	1 1
-----------------------------------	--	--	--------

TO
R

Mouser Electronics

Authorized Distributor

Click to View Pricing, Inventory, Delivery & Lifecycle Information:

[Hirose Electric:](#)

[HR10G-7R-6P\(73\)](#)