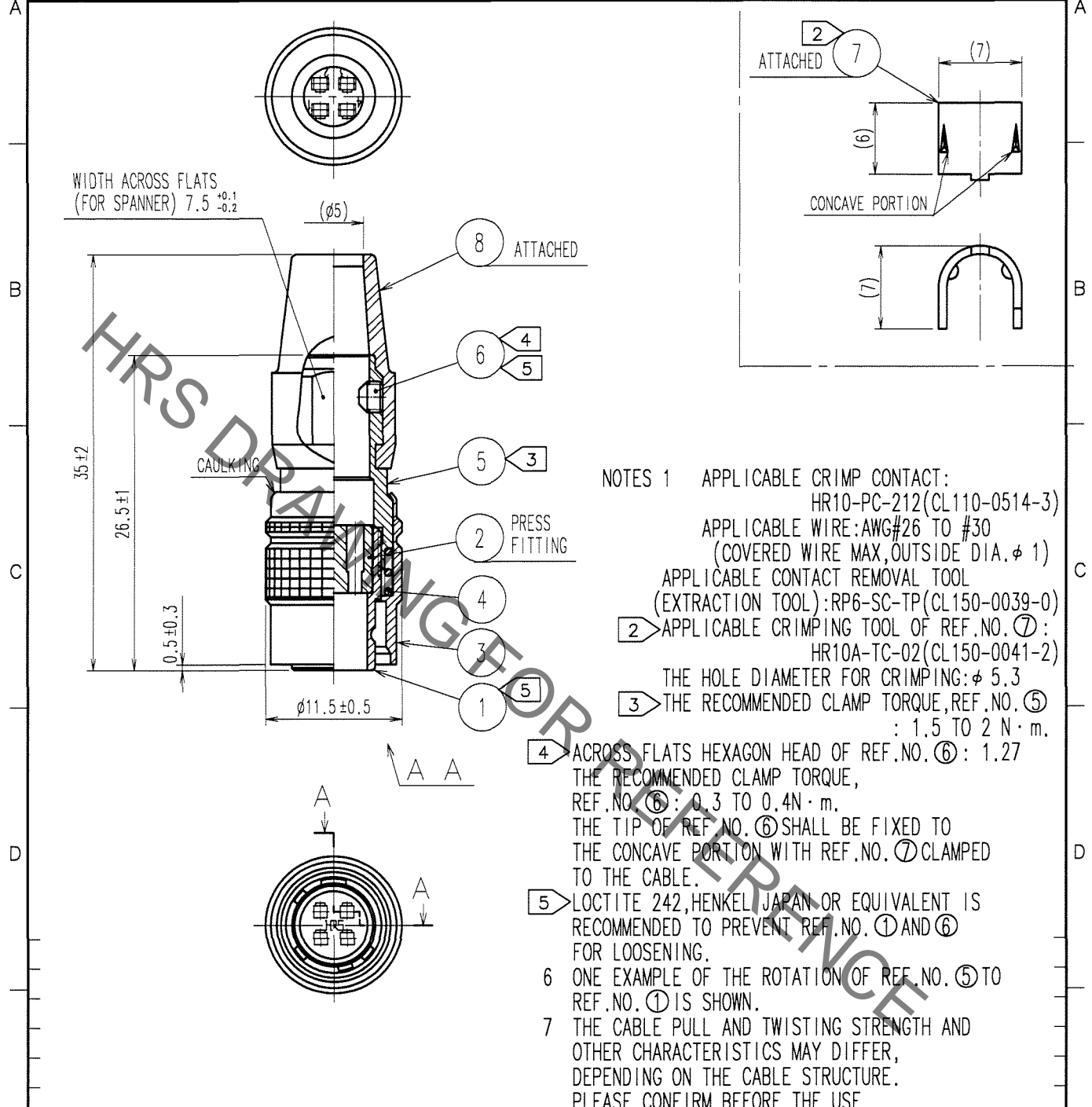


Sep.1.2021 Copyright 2021 HIROSE ELECTRIC CO., LTD. All Rights Reserved.  
In case of consideration for using Automotive equipment / device which demand high reliability, kindly contact our sales window correspondents.

1		2		3		4			
COUNT	DESCRIPTION OF REVISIONS	BY	CHKD	DATE	COUNT	DESCRIPTION OF REVISIONS	BY	CHKD	DATE
△					△				
△					△				
△					△				



- NOTES
- 1 APPLICABLE CRIMP CONTACT:  
HR10-PC-212(CL110-0514-3)  
APPLICABLE WIRE:AWG#26 TO #30  
(COVERED WIRE MAX, OUTSIDE DIA. φ 1)  
APPLICABLE CONTACT REMOVAL TOOL  
(EXTRACTION TOOL):RP6-SC-TP(CL150-0039-0)
  - 2 APPLICABLE CRIMPING TOOL OF REF.NO. ⑦:  
HR10A-TC-02(CL150-0041-2)  
THE HOLE DIAMETER FOR CRIMPING:φ 5.3
  - 3 THE RECOMMENDED CLAMP TORQUE, REF.NO. ⑤:  
1.5 TO 2 N·m.
  - 4 ACROSS FLATS HEXAGON HEAD OF REF.NO. ⑥: 1.27  
THE RECOMMENDED CLAMP TORQUE,  
REF.NO. ⑥: 0.3 TO 0.4N·m.  
THE TIP OF REF.NO. ⑥ SHALL BE FIXED TO  
THE CONCAVE PORTION WITH REF.NO. ⑦ CLAMPED  
TO THE CABLE.
  - 5 LOCTITE 242, HENKEL JAPAN OR EQUIVALENT IS  
RECOMMENDED TO PREVENT REF.NO. ① AND ⑥  
FOR LOOSENING.
  - 6 ONE EXAMPLE OF THE ROTATION OF REF.NO. ⑤ TO  
REF.NO. ① IS SHOWN.
  - 7 THE CABLE PULL AND TWISTING STRENGTH AND  
OTHER CHARACTERISTICS MAY DIFFER,  
DEPENDING ON THE CABLE STRUCTURE.  
PLEASE CONFIRM BEFORE THE USE.

4	STEEL	NICKEL PLATING	8	CHLOROPRENE RUBBER (BLACK)	
3	BRASS	MATTE FINISH NICKEL PLATED	7	BRASS	
2	POLYBUTYLENE TEREPHTHALATE	(BLACK) UL94V-0	6	STEEL	NICKEL PLATING M2.6×0.45×2
1	ZINC ALLOY	MATTE FINISH NICKEL PLATED	5	BRASS	NICKEL PLATING
NO.	MATERIAL	FINISH, REMARKS	NO.	MATERIAL	FINISH, REMARKS

CODE NO. (OLD)	DRAWN	DESIGNED	CHECKED	APPROVED	RELEASED
CL	<i>M. Sato</i>	<i>J. Horie</i>	<i>E. Kurii</i>	<i>M. Sato</i>	
	07.03.07	07.03.07	07.03.08	07.03.08	

 SCALE 2 : 1 UNITS mm	DRAWING NO.	PART NO.
	EDC4-021659-73	HR10A-7P-4PC(73)
	 HIROSE ELECTRIC CO., LTD.	CODE NO. CL110-0501-1-73

TO
R

# Mouser Electronics

Authorized Distributor

Click to View Pricing, Inventory, Delivery & Lifecycle Information:

[Hirose Electric:](#)

[HR10A-7P-4PC\(73\)](#)