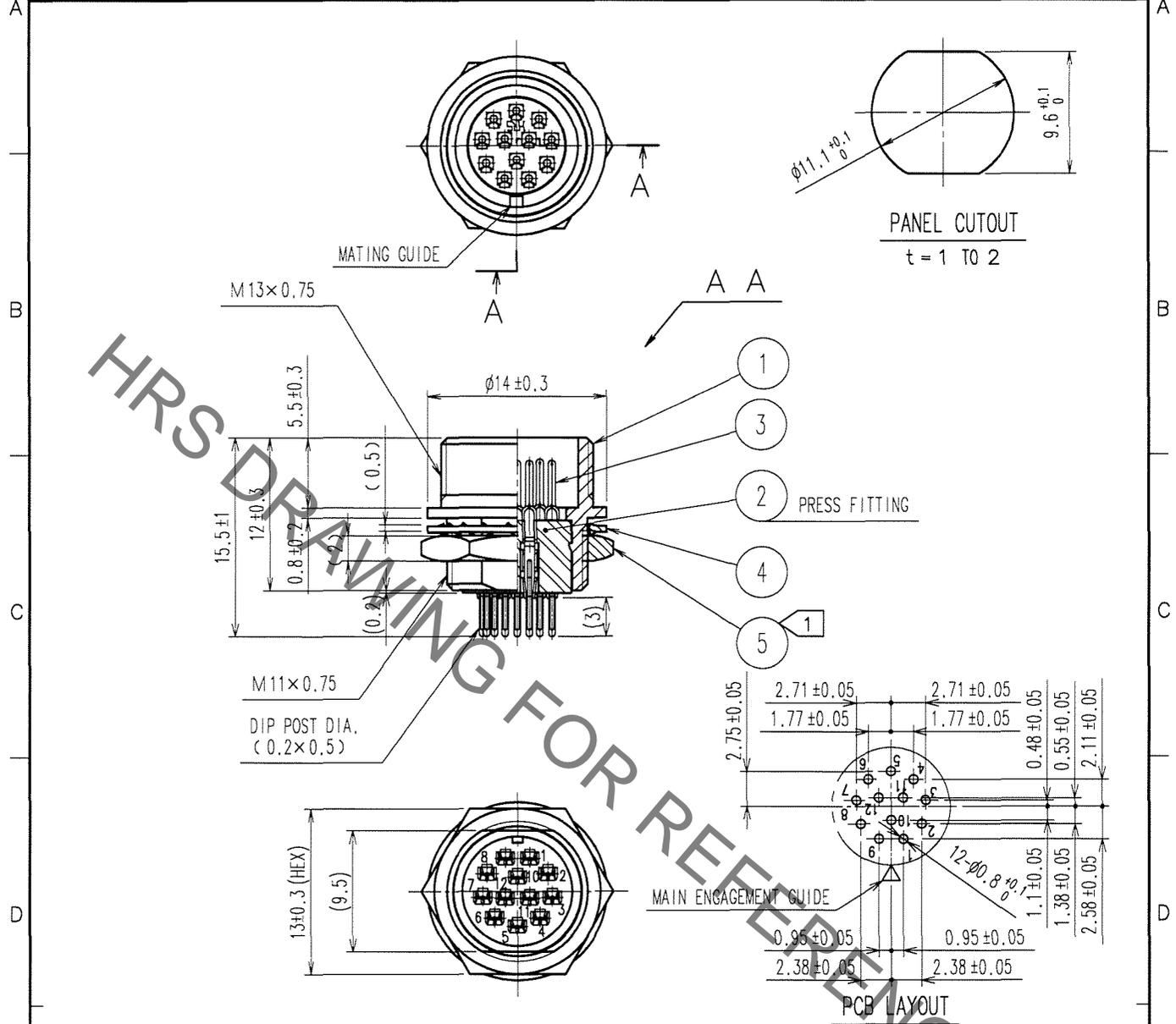


Sep.1.2021 Copyright 2021 HIROSE ELECTRIC CO., LTD. All Rights Reserved.
In case of consideration for using Automotive equipment / device which demand high reliability, kindly contact our sales window correspondents.

1		2			3			4		
COUNT	DESCRIPTION OF REVISIONS	BY	CHKD	DATE	COUNT	DESCRIPTION OF REVISIONS	BY	CHKD	DATE	
1	DIS-C-000585	T.K	E.K	07.07.27						



NOTE ① THE RECOMMENDED CLAMP TORQUE OF REF. NO. ⑤ TO BE 2 N · m.
LOCTITE 242, HENKEL JAPAN OR EQUIVALENT IS RECOMMENDED TO
PREVENT REF. NO. ⑤ FROM LOOSENING.

NO.	MATERIAL	FINISH, REMARKS	NO.	MATERIAL	FINISH, REMARKS
3	PHOSPHOR BRONZE	SILVER PLATING 2μ m min.	5	BRASS	NICKEL PLATING
2	POLYBUTYLENE TEREPHTHALATE	(BLACK) UL94V-0	4	PHOSPHOR BRONZE	NICKEL PLATING
1	BRASS	NICKEL PLATING			

CODE NO. (OLD) CL	DRAWN M.SATO '07 03 07	DESIGNED T.HORII '07 03 07	CHECKED E.KUNII '07 03 08	APPROVED M.SATO '07 03 08	RELEASED
----------------------	------------------------------	----------------------------------	---------------------------------	---------------------------------	----------

 SCALE 2 : 1 UNITS mm	DRAWING NO. EDC4-044266-73 HIROSE ELECTRIC CO., LTD.	PART NO. HR10A-10TR-12PB(73) CODE NO. CL110-0457-1-73	1 1
---------------------------------------	---	--	--------

Mouser Electronics

Authorized Distributor

Click to View Pricing, Inventory, Delivery & Lifecycle Information:

[Hirose Electric:](#)

[HR10A-10TR-12PB\(73\)](#)