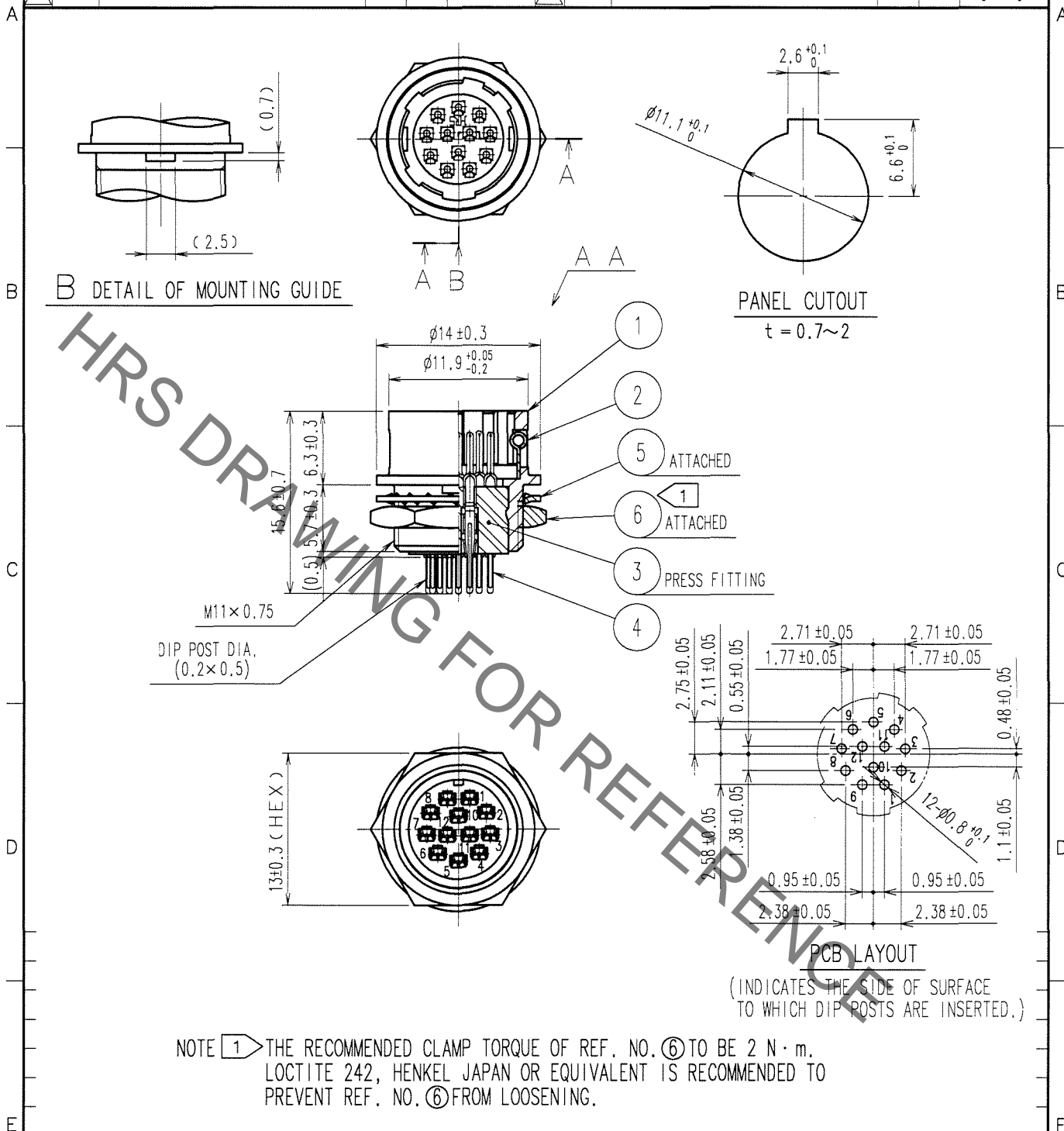


Sep.1.2021 Copyright 2021 HIROSE ELECTRIC CO., LTD. All Rights Reserved.
 In case of consideration for using Automotive equipment / device which demand high reliability, kindly contact our sales window correspondents.

COUNT	DESCRIPTION OF REVISIONS	BY	CHKD	DATE	COUNT	DESCRIPTION OF REVISIONS	BY	CHKD	DATE
1	DIS-C-000585	T.K	E.K	07.07.27					



NO.	MATERIAL	FINISH, REMARKS	NO.	MATERIAL	FINISH, REMARKS
3	PBT	(BLACK) UL94V-0	6	BRASS	NICKEL PLATING
2	STAINLESS STEEL		5	PHOSPHOR BRONZE	NICKEL PLATING
1	ZINC ALLOY	MATTE FINISH NICKEL PLATED	4	PHOSPHOR BRONZE	SILVER PLATING 2μ m min.

CODE NO. (OLD) CL	DRAWN H.KISHI '05 08 31	DESIGNED H.KISHI '05 08 31	CHECKED E.KUNII '05 09 02	APPROVED M.SATO '05 09 02	RELEASED
----------------------	-------------------------------	----------------------------------	---------------------------------	---------------------------------	----------

SCALE 2 : 1 UNITS mm	DRAWING NO. EDC4-022534-71 HIROSE ELECTRIC CO., LTD.	PART NO. HR10A-10R-12PB(71) CODE NO. CL110-0416-4-71	1 1
-------------------------------	--	---	--------

Mouser Electronics

Authorized Distributor

Click to View Pricing, Inventory, Delivery & Lifecycle Information:

[Hirose Electric:](#)

[HR10A-10R-12PB\(71\)](#)