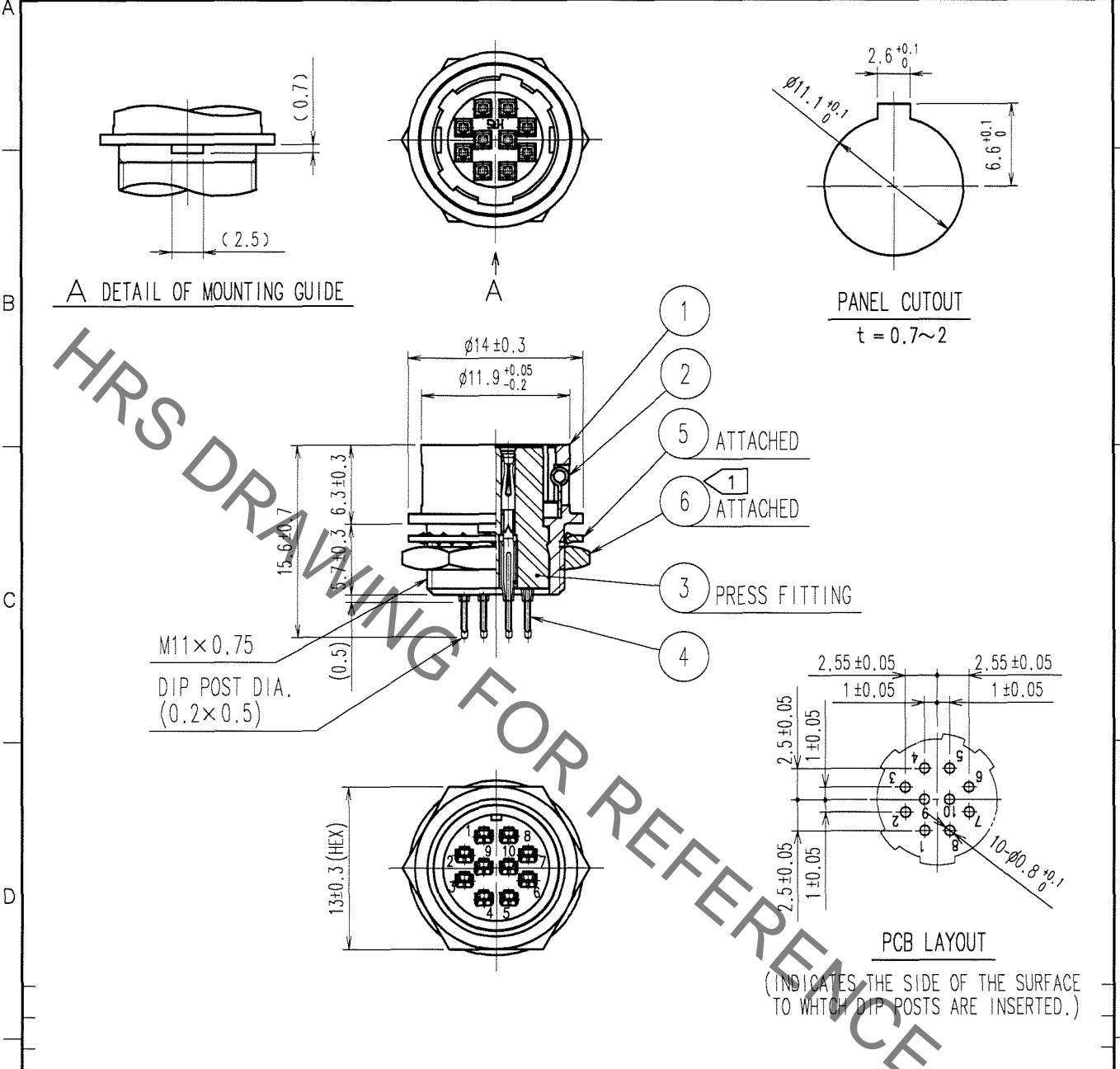


Sep.1.2021 Copyright 2021 HIROSE ELECTRIC CO., LTD. All Rights Reserved.
In case of consideration for using Automotive equipment / device which demand high reliability, kindly contact our sales window correspondents.

1		2			3			4		
COUNT	DESCRIPTION OF REVISIONS	BY	CHKD	DATE	COUNT	DESCRIPTION OF REVISIONS	BY	CHKD	DATE	
1	DIS-C-000585	T.K	E.K	07.07.27						



NOTE ① THE RECOMMENDED CLAMP TORQUE OF REF. NO. ⑥ TO BE 2 N·m. LOCTITE 242, HENKEL JAPAN OR EQUIVALENT IS RECOMMENDED TO PREVENT REF. NO. ⑥ FROM LOOSENING.

NO.	MATERIAL	FINISH, REMARKS	NO.	MATERIAL	FINISH, REMARKS
3	PBT	(BLACK) UL94V-0	6	BRASS ①	NICKEL PLATING
2	STAINLESS STEEL		5	PHOSPHOR BRONZE	NICKEL PLATING
1	ZINC ALLOY	MATTE FINISH NICKEL PLATED	4	PHOSPHOR BRONZE	GOLD PLATING 0.2μm min. NICKEL UNDER PLATING 2μm min.

CODE NO. (OLD) CL	DRAWN H.KISHI '05 08 31	DESIGNED H.KISHI '05 08 31	CHECKED E.KUNII '05 09 02	APPROVED M.SATO '05 09 02	RELEASED
----------------------	-------------------------------	----------------------------------	---------------------------------	---------------------------------	----------

TO
R

 SCALE 2 : 1 UNITS mm	DRAWING NO. EDC4-022531-72 HIROSE ELECTRIC CO., LTD.	PART NO. HR10A-10R-10SB(72) CODE NO. CL110-0413-6-72	1 1
-----------------------------------	--	---	--------

Mouser Electronics

Authorized Distributor

Click to View Pricing, Inventory, Delivery & Lifecycle Information:

[Hirose Electric:](#)

[HR10A-10R-10SB\(72\)](#)