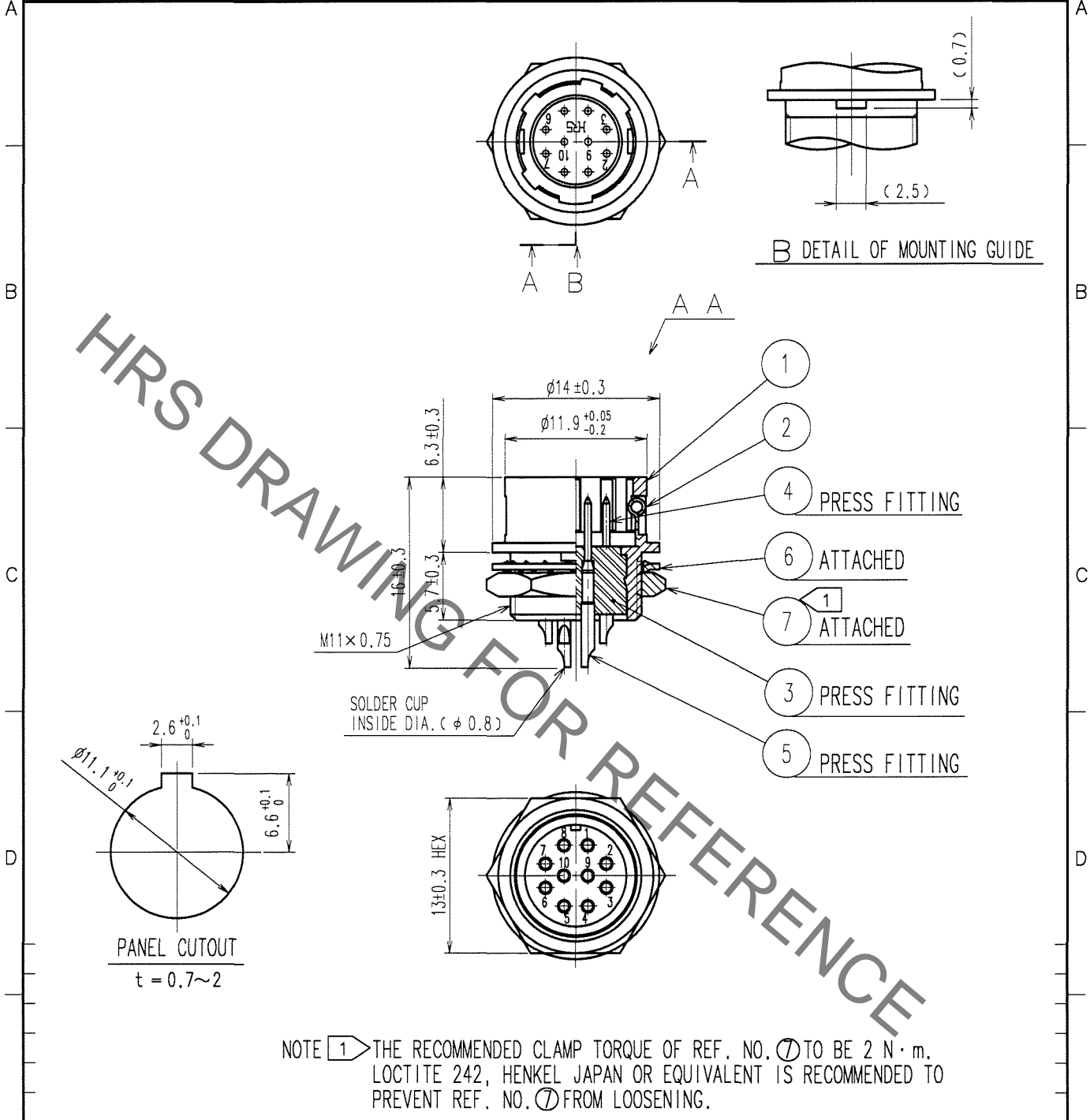


Sep.1.2021 Copyright 2021 HIROSE ELECTRIC CO., LTD. All Rights Reserved.
In case of consideration for using Automotive equipment / device which demand high reliability, kindly contact our sales window correspondents.

1		2		3		4			
COUNT	DESCRIPTION OF REVISIONS	BY	CHKD	DATE	COUNT	DESCRIPTION OF REVISIONS	BY	CHKD	DATE
1	DIS-C-000585	T.K	E.K	07.07.27					



NO.	MATERIAL	FINISH, REMARKS	NO.	MATERIAL	FINISH, REMARKS
7	BRASS	NICKEL PLATING	7	BRASS	
6	PHOSPHOR BRONZE	NICKEL PLATING	6	PHOSPHOR BRONZE	NICKEL PLATING
5	BRASS	OVER PLATING: GOLD 0.2μ m min. UNDER PLATING: 2μ m min.	5	BRASS	
4	BRASS		4	BRASS	

CODE NO. (OLD) CL	DRAWN M.SATO '07 03 07	DESIGNED TO.HORII '07 03 07	CHECKED E.KUNII '07 03 08	APPROVED M.SATO '07 03 08	RELEASED
----------------------	------------------------------	-----------------------------------	---------------------------------	---------------------------------	----------

SCALE 2 : 1	DRAWING NO. EDC4-021369-74	PART NO. HR10A-10R-10P(74)
	CODE NO. CL110-0410-8-74	

TO
R

Mouser Electronics

Authorized Distributor

Click to View Pricing, Inventory, Delivery & Lifecycle Information:

[Hirose Electric:](#)

[HR10A-10R-10P\(74\)](#)