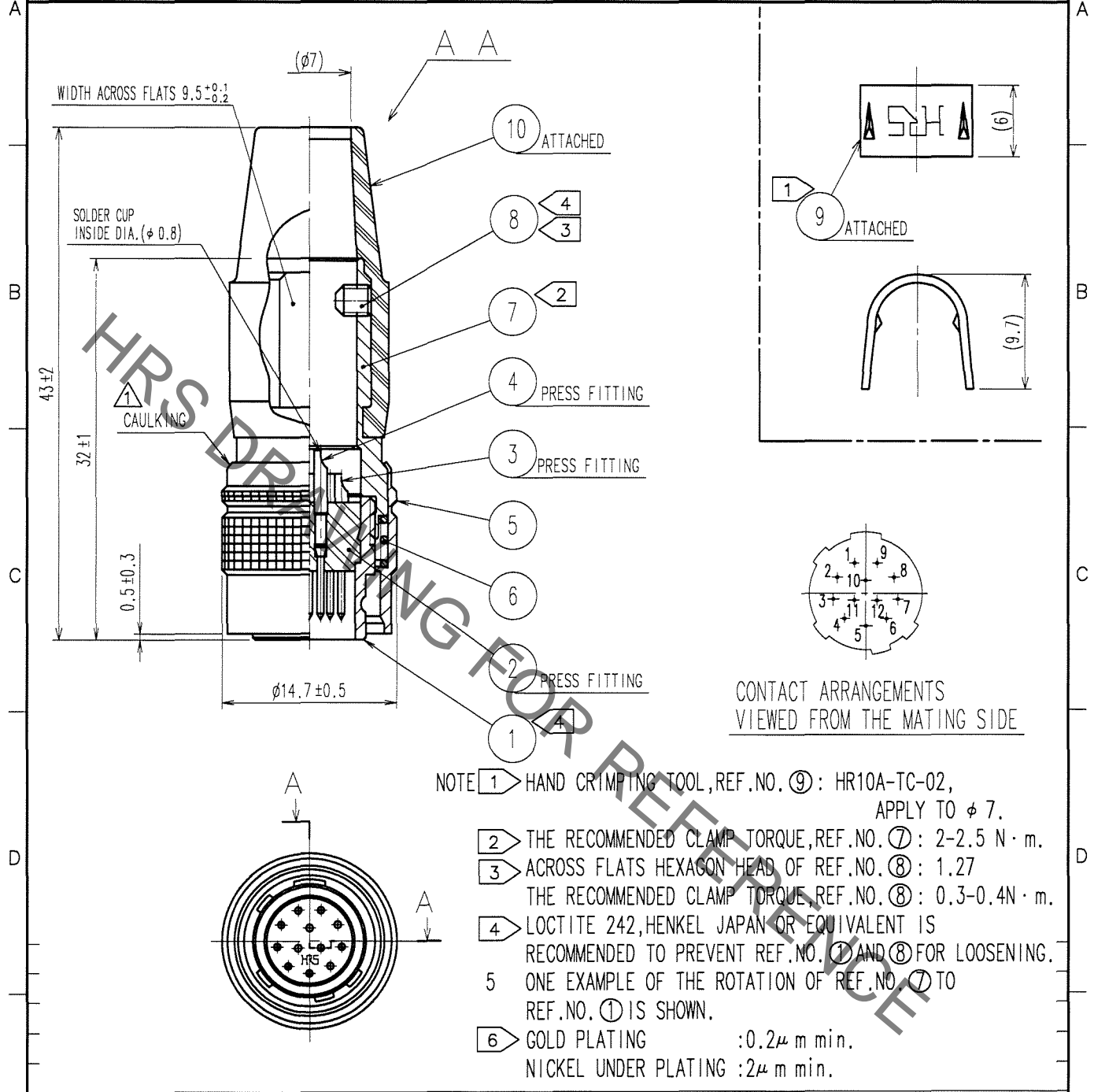


Aug. 1. 2021 Copyright 2021 HIROSE ELECTRIC CO., LTD. All Rights Reserved.  
In case of consideration for using Automotive equipment / device which demand high reliability, kindly contact our sales window correspondents.

1		2			3			4		
COUNT	DESCRIPTION OF REVISIONS	BY	CHKD	DATE	COUNT	DESCRIPTION OF REVISIONS	BY	CHKD	DATE	
1	DIS-C-000409	D.M	U.S	06.12.19						



- NOTE ① HAND CRIMPING TOOL, REF. NO. ⑨ : HR10A-TC-02, APPLY TO  $\phi 7$ .
- ② THE RECOMMENDED CLAMP TORQUE, REF. NO. ⑦ : 2-2.5 N · m.
- ③ ACROSS FLATS HEXAGON HEAD OF REF. NO. ⑧ : 1.27 THE RECOMMENDED CLAMP TORQUE, REF. NO. ⑧ : 0.3-0.4N · m.
- ④ LOCTITE 242, HENKEL JAPAN OR EQUIVALENT IS RECOMMENDED TO PREVENT REF. NO. ① AND ⑧ FOR LOOSENING.
- ⑤ ONE EXAMPLE OF THE ROTATION OF REF. NO. ⑦ TO REF. NO. ① IS SHOWN.
- ⑥ GOLD PLATING : 0.2 $\mu$  m min.  
NICKEL UNDER PLATING : 2 $\mu$  m min.

5	BRASS	BLACK CHROME PLATING	10	CR	(BLACK)
4	BRASS	⑥	9	BRASS	
3	BRASS	⑥	8	STEEL	NICKEL PLATING JIS C 1177, HEXAGON SOCKET SET SCREW M2.6×0.45×3
2	POLYAMIDE	(BLACK) UL94V-0	7	BRASS	NICKEL PLATING
1	ZINC ALLOY	MATTE FINISH NICKEL PLATED	6	STEEL	NICKEL PLATING
NO.	MATERIAL	FINISH, REMARKS	NO.	MATERIAL	FINISH, REMARKS

CODE NO. (OLD)		DRAWN	DESIGNED	CHECKED	APPROVED	RELEASED
CL		D. MATSUNE	D. MATSUNE	M. SATO	M. SATO	
		'06.03.08	'06.03.08	'06.03.08	'06.03.08	
DRAWING NO. EDC4-010386-77			PART NO. HR10A-10P-12P(77)			
DRAWING NO. <b>HRS</b> HIROSE ELECTRIC CO., LTD.			CODE NO. CL110-0401-7-77			

TO
R

# Mouser Electronics

Authorized Distributor

Click to View Pricing, Inventory, Delivery & Lifecycle Information:

[Hirose Electric:](#)

[HR10A-10P-12P\(77\)](#)