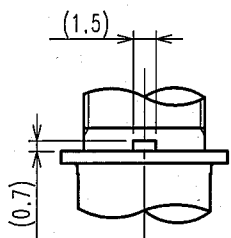
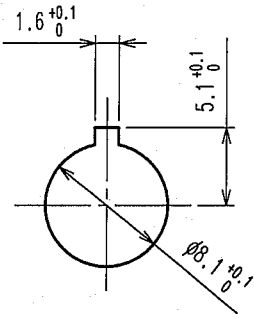
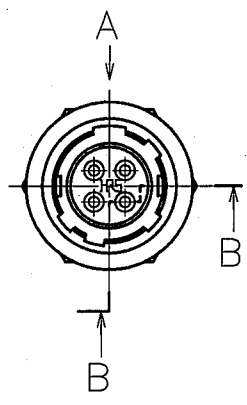


Aug.1.2021 Copyright 2021 HIROSE ELECTRIC CO., LTD. All Rights Reserved.  
In case of consideration for using Automotive equipment / device which demand high reliability, kindly contact our sales window correspondents.

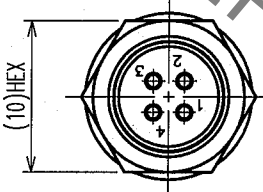
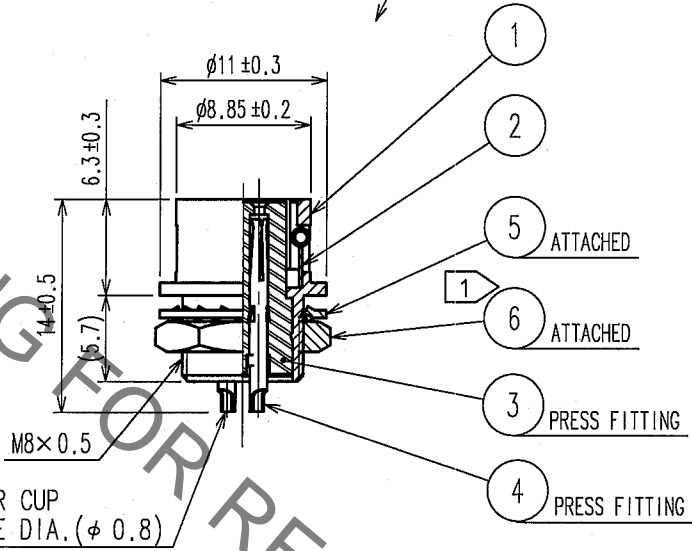
1		2		3		4			
COUNT	DESCRIPTION OF REVISIONS	BY	CHKD	DATE	COUNT	DESCRIPTION OF REVISIONS	BY	CHKD	DATE
△					△				
△					△				
△					△				



DETAIL OF MOUNTING GUIDE



PANEL CUTOUT  
t = 0.7~2



NOTE 1 THE RECOMMENDED CLAMP TORQUE OF REF. NO. ⑥ TO BE 1.5 N·m.  
LOCTITE 242, HENKEL JAPAN OR EQUIVALENT IS RECOMMENDED TO  
PREVENT REF. NO. ⑥ FROM LOOSENING.

3	POLYAMIDE	(BLACK) UL94V-0	6	BRASS	NICKEL PLATING
2	STAINLESS STEEL		5	PHOSPHOR BRONZE	NICKEL PLATING
1	ZINC ALLOY	MATTE FINISH NICKEL PLATED	4	PHOSPHOR BRONZE	SILVER PLATING 2μ m min.
NO.	MATERIAL	FINISH, REMARKS	NO.	MATERIAL	FINISH, REMARKS

CODE NO. (OLD)	CL	DRAWN	DESIGNED	CHECKED	APPROVED	RELEASED
		<i>J. Kamatsu</i>	<i>D. Matsume</i>	<i>E. Kunita</i>	<i>M. Saito</i>	
		05-11-17	'05-11-18	'05-11-22	05-11-25	

SCALE	DRAWING NO.	PART NO.
2 : 1	EDC4-020538-73	HR10A-7R-4S(73)
UNITS	CODE NO.	
mm	CL110-0305-3-73	1/1



# Mouser Electronics

Authorized Distributor

Click to View Pricing, Inventory, Delivery & Lifecycle Information:

[Hirose Electric:](#)

[HR10A-7R-4S\(73\)](#)