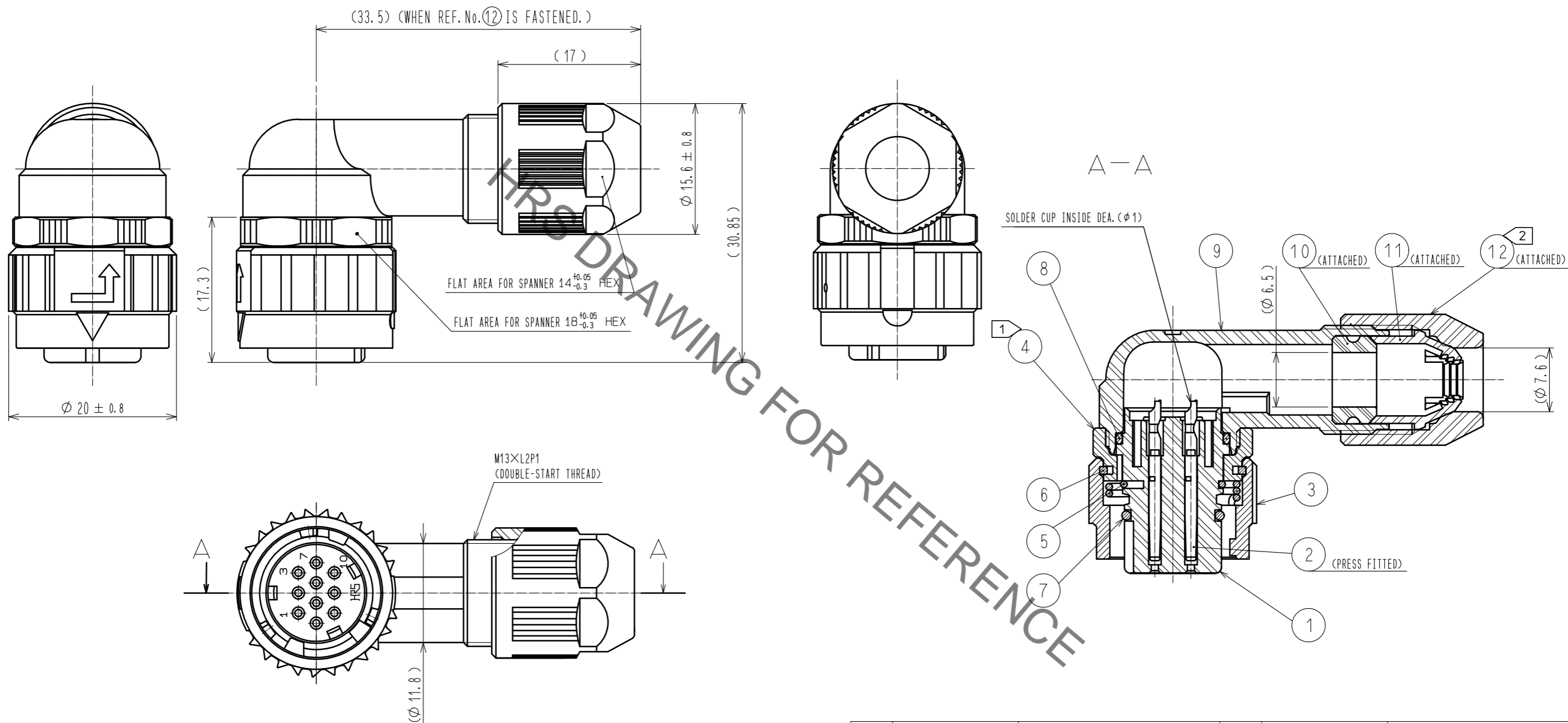


Sep.1.2021 Copyright 2021 HIROSE ELECTRIC CO., LTD. All Rights Reserved.  
In case of consideration for using Automotive equipment / device which demand high reliability, kindly contact our sales window correspondents.



- NOTES
- ① THE RECOMMENDED TIGHTENING TORQUE OF REF. NO. ④: 0.9 TO 1 N · m.  
THE RECOMMENDED ADHESIVE AND PRIMER OF REF. NO. ④: LOCTITE 243 AND LOCK PRIMER 7649 MADE BY HENKEL JAPAN LTD.
  - ② THE RECOMMENDED TIGHTENING TORQUE OF REF. NO. ⑫: 0.9 TO 1 N · m.  
THE RECOMMENDED ADHESIVE AND PRIMER OF REF. NO. ⑫: LOCTITE 243 AND LOCK PRIMER 7649 MADE BY HENKEL JAPAN LTD.
  - ③ ROTATION EXAMPLE ARE SHOWN FOR REF. NO. ①, ④, ⑨, AND ⑫.
  - ④ THE CABLE PULL AND TWISTING STRENGTH AND OTHER CHARACTERISTICS MAY DIFER, DEPENDING ON THE CABLE STRUCTURE.  
PLEASE CONFIRM BEFORE THE USE.

5	STAINLESS STEEL		12	POLYPHENYLENE SULFIDE	(BLACK) UL94V-0
4	ZINC ALLOY	NICKEL PLATING	11	POLYAMIDE	(WHITE) UL94V-0
3	ZINC ALLOY	NICKEL PLATING	10	HYDROGENATION ACRYLONITRILE BUTADIENE RUBBER	(BLACK)
2	PHOSPHOR BRONZE	CONTACT AREA : GOLD 0.2#m min. TERMINAL AREA: GOLD 0.03#m min. UNDER PLATING: NICKEL 2#m min.	9	POLYAMIDE	(BLACK) UL94V-0
			8	ACRYLONITRILE BUTADIENE RUBBER	(BLACK)
			7	ACRYLONITRILE BUTADIENE RUBBER	(BLACK)
1	POLYPHENYLENE SULFIDE	(BLACK) UL94V-0	6	PHOSPHOR BRONZE	NICKEL PLATING
NO.	MATERIAL	FINISH . REMARKS	NO.	MATERIAL	FINISH . REMARKS

UNITS	SCALE	COUNT	DESCRIPTION OF REVISIONS	DESIGNED	CHECKED	DATE
mm	2 : 1	△				
APPROVED : HY. KOBAYASHI			18.02.26	DRAWING NO. EDC-117789-31-00		
CHECKED : HY. KOBAYASHI			18.02.26	PART NO. HR08D-12WLPM-10S(31)		
DESIGNED : DS. MATSUNE			18.02.24	CODE NO. CL108-0276-0-31		
DRAWN : AI. NISHIYAMA			18.02.22	△ 1/1		

# Mouser Electronics

Authorized Distributor

Click to View Pricing, Inventory, Delivery & Lifecycle Information:

[Hirose Electric:](#)

[HR08D-12WLPM-10S\(31\)](#)