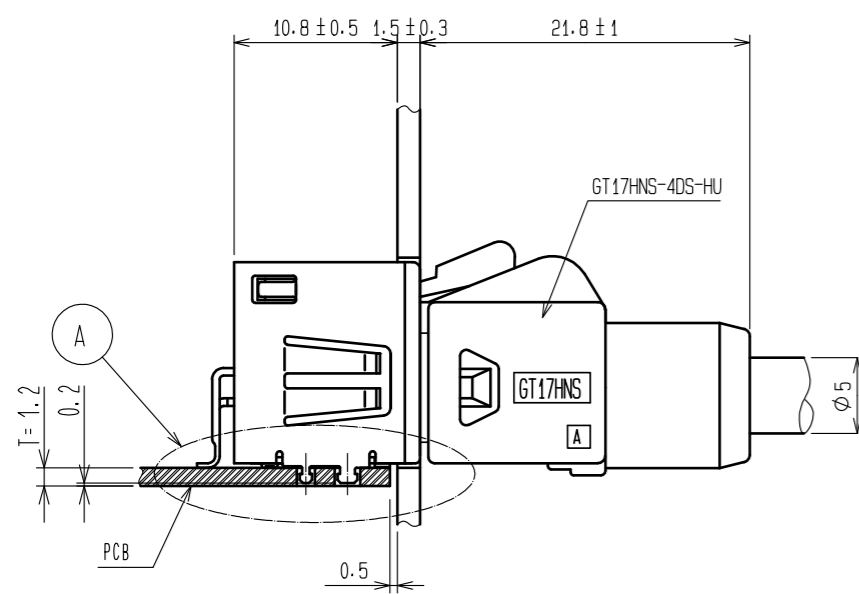
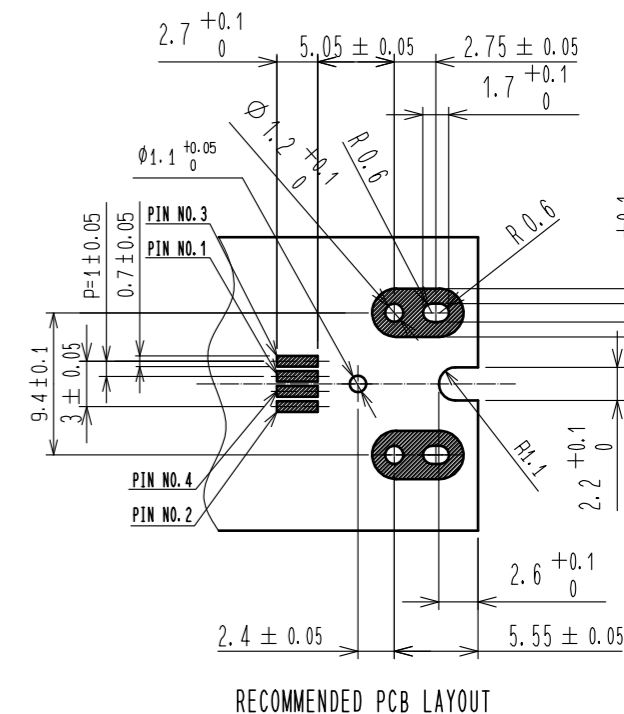
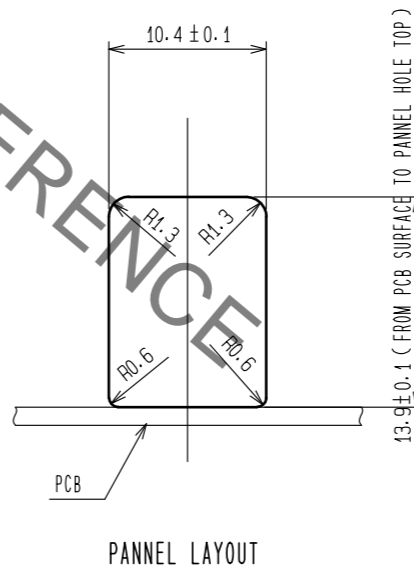
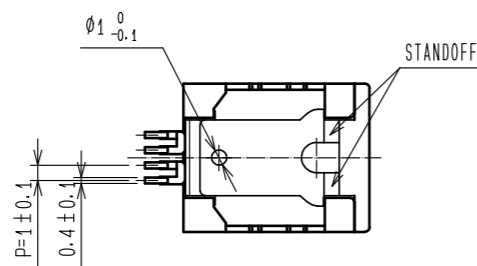
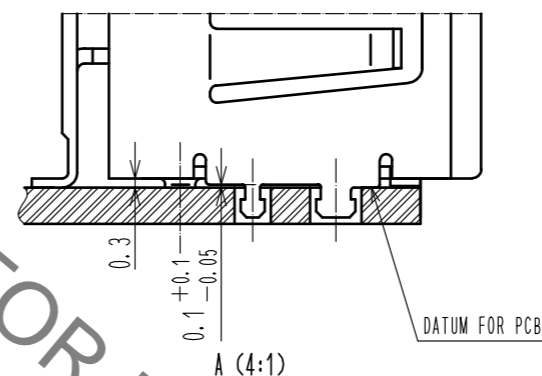
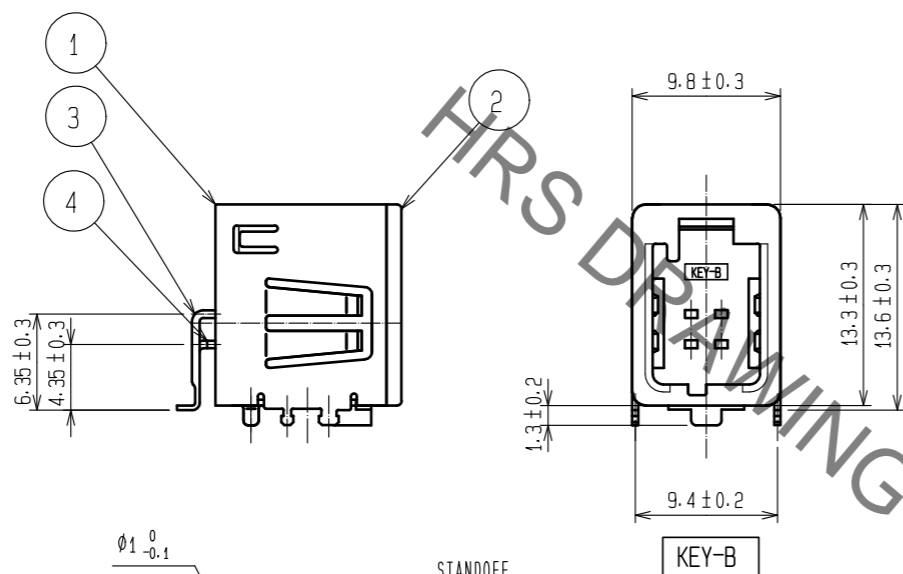
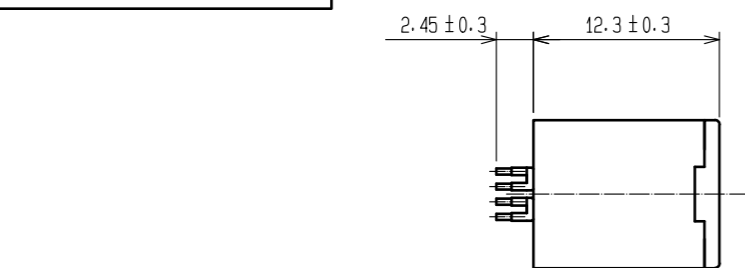
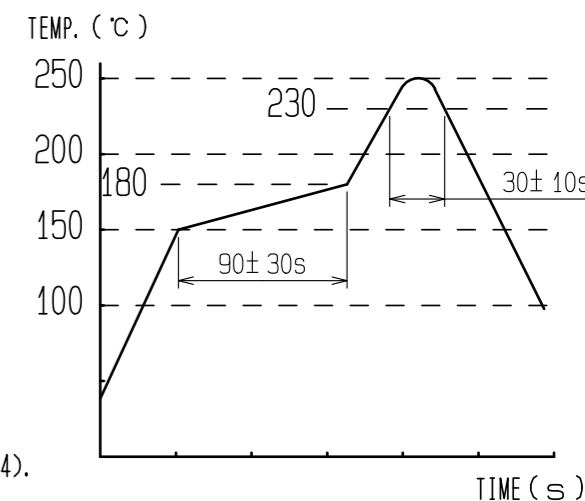


Sep.1.2021 Copyright 2021 HIROSE ELECTRIC CO., LTD. All Rights Reserved.
In case of consideration for using Automotive equipment / device which demand high reliability, kindly contact our sales window correspondents.

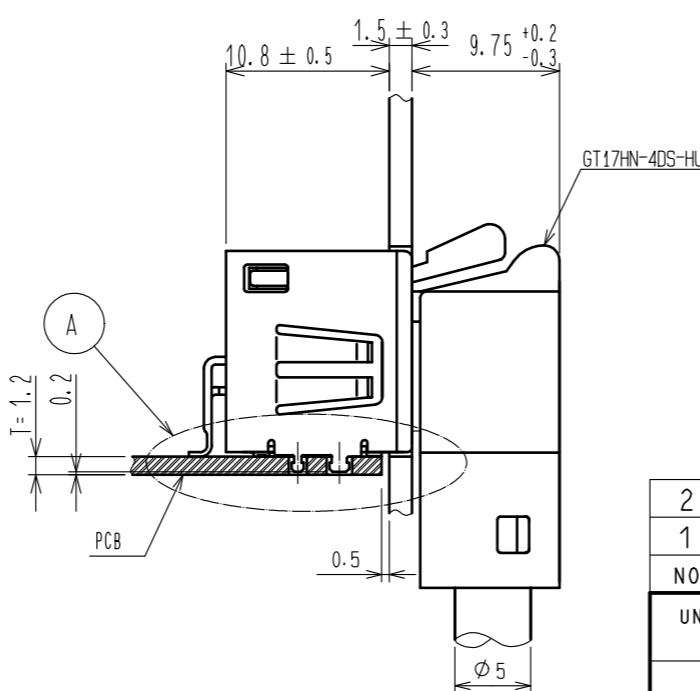
ELV, RoHS COMPLIANT

NOTES

- 1) RECOMMENDED REFLOW PROFILE (SEE RIGHT GRAPH)
CYCLE TIME: UP TO 2 CYCLES OF REFLOW SOLDERING ARE POSSIBLE UNDER THE CONDITIONS, PROVIDED THAT THERE IS A RETURN TO NOMAL TEMPERATURE BETWEEN THE FIRST AND SECOND CYCLE.
PEAK TEMPERATURE: 250°C
230°C MIN. FOR 20 TO 40 SECONDS.
PREHEATING AREA 150 TO 180 °C FOR 60 TO 120 SECONDS.
- 2) HAND SOLDERING: 280-300°C, 2S MAX.
- 3) CONTACT COPLANARITY: 0.1mm MAX.
- 4) RECOMMENDED THICKNESS OF PCB: 1.2mm
- 5) RECOMMENDED THICKNESS OF SOLDERING PASTE: 0.12mm
- 6) THIS PRODUCT CAN REPLACE CL767-0175-0-14 GT17HN-4DP-2H(B)(14).



IN COMBINATION WITH STRAIGHT CONNECTOR

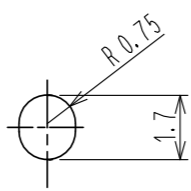
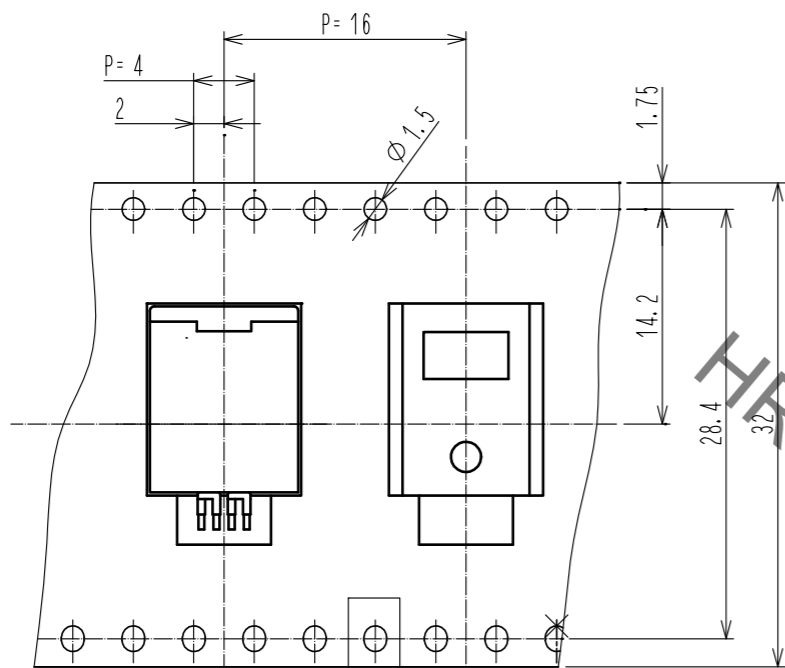


IN COMBINATION WITH RIGHT-ANGLE CONNECTOR

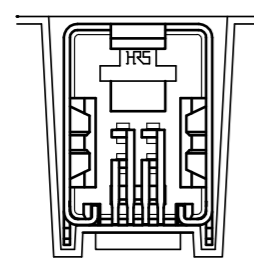
2	PA	GREEN	4	BRASS	TIN PLATING
1	COPPER ALLOY	TIN PLATING	3	BRASS	TIN PLATING
NO.	MATERIAL	FINISH . REMARKS	NO.	MATERIAL	FINISH . REMARKS
UNITS	mm	SCALE	2 : 1	COUNT	DESCRIPTION OF REVISIONS
APPROVED : KI. HIROKAWA		20200409		DESIGNED	EDC-169397-57-00
CHECKED : E.J. WAKATSUKI		20200409		CHECKED	
DESIGNED : TS. KUBOTA		20200325		DATE	
DRAWN : YK. MITSUISHI		20200319		DRAWING NO. EDC-169397-57-00	
PART NO. GT17HN2-4DP-2H(B)(57)				CODE NO. CL767-0294-9-57	

Sep.1.2021 Copyright 2021 HIROSE ELECTRIC CO., LTD. All Rights Reserved.
 In case of consideration for using Automotive equipment / device which demand high reliability, kindly contact our sales window correspondents.

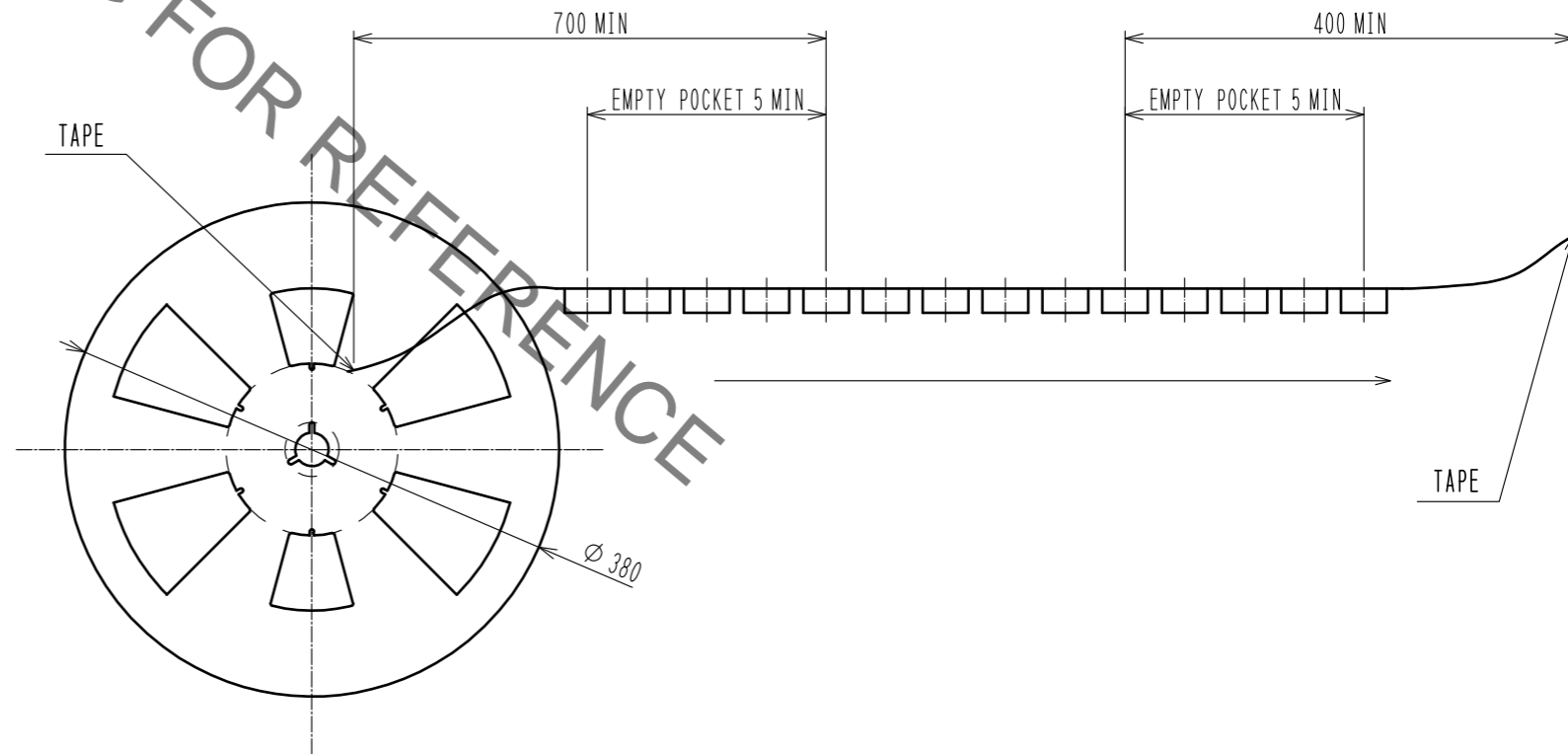
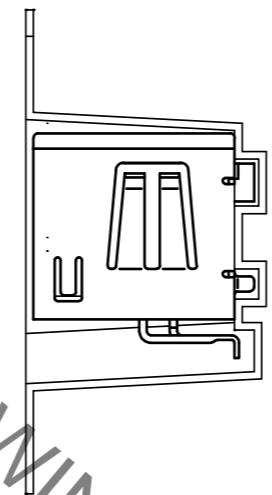
REEL DIRECTION →



C (5 : 1)



PACKAGE STYLE
300PCS/REEL



PLASTIC REEL

HRS	DRAWING NO.	EDC-169397-57-00	2/2
	PART NO.	GT17HN2-4DP-2H(B)(57)	
	CODE NO.	CL767-0294-9-57	

Mouser Electronics

Authorized Distributor

Click to View Pricing, Inventory, Delivery & Lifecycle Information:

[Hirose Electric:](#)

[GT17HN2-4DP-2H\(B\)\(57\)](#)