

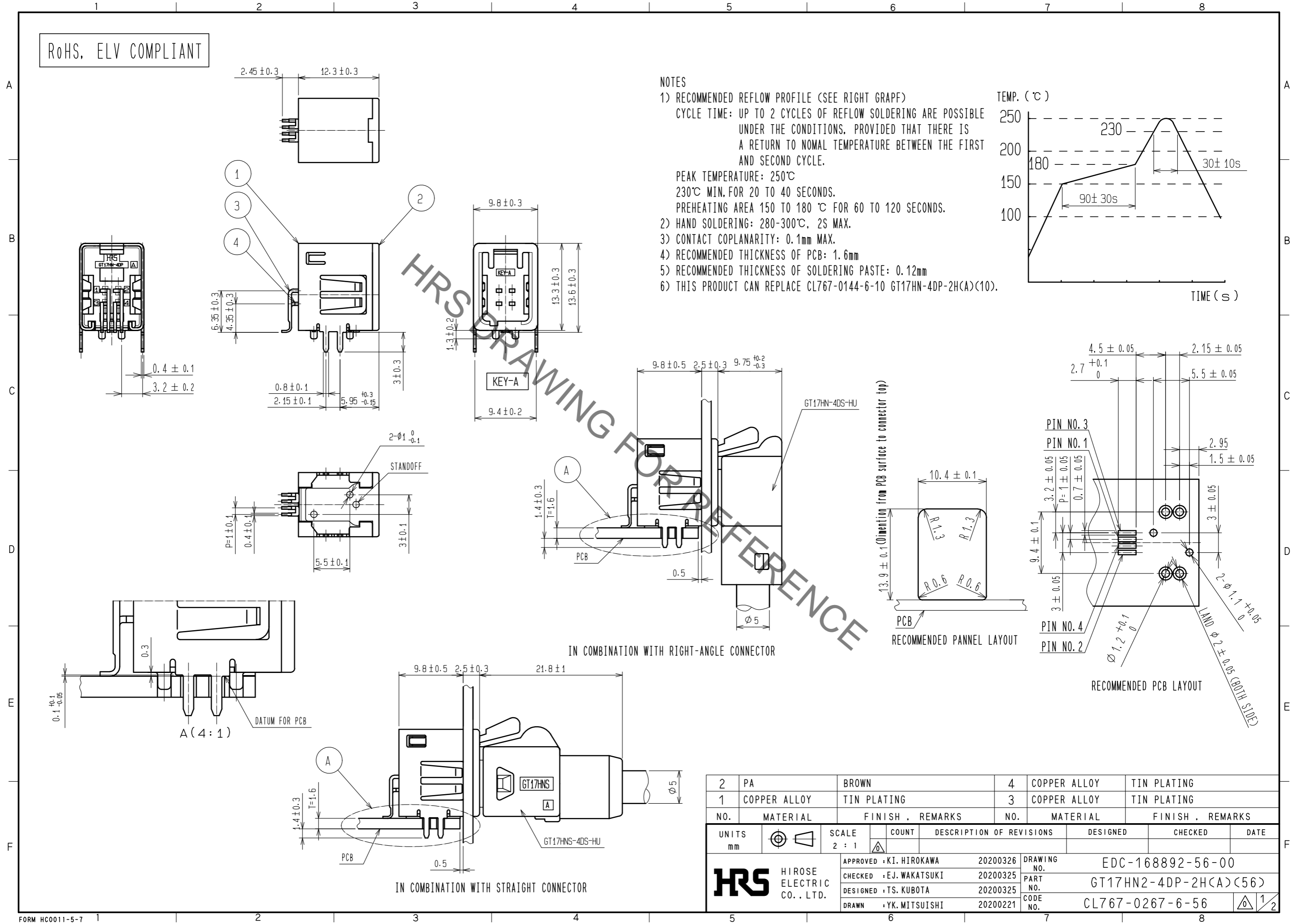
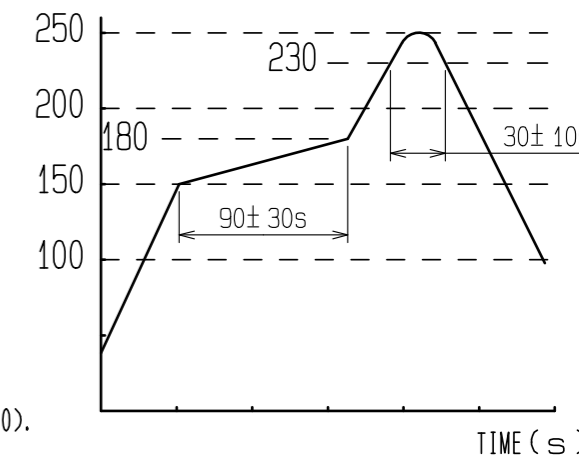
Sep.1.2021 Copyright 2021 HIROSE ELECTRIC CO., LTD. All Rights Reserved.
In case of consideration for using Automotive equipment / device which demand high reliability, kindly contact our sales window correspondents.

RoHS, ELV COMPLIANT

NOTES

- 1) RECOMMENDED REFLOW PROFILE (SEE RIGHT GRAPH)
CYCLE TIME: UP TO 2 CYCLES OF REFLOW SOLDERING ARE POSSIBLE UNDER THE CONDITIONS, PROVIDED THAT THERE IS A RETURN TO NOMAL TEMPERATURE BETWEEN THE FIRST AND SECOND CYCLE.
PEAK TEMPERATURE: 250°C
230°C MIN. FOR 20 TO 40 SECONDS.
PREHEATING AREA 150 TO 180 °C FOR 60 TO 120 SECONDS.
- 2) HAND SOLDERING: 280-300°C, 2S MAX.
- 3) CONTACT COPLANARITY: 0.1mm MAX.
- 4) RECOMMENDED THICKNESS OF PCB: 1.6mm
- 5) RECOMMENDED THICKNESS OF SOLDERING PASTE: 0.12mm
- 6) THIS PRODUCT CAN REPLACE CL767-0144-6-10 GT17HN-4DP-2H(A)(10).

TEMP. (°C)



IN COMBINATION WITH RIGHT-ANGLE CONNECTOR

IN COMBINATION WITH STRAIGHT CONNECTOR

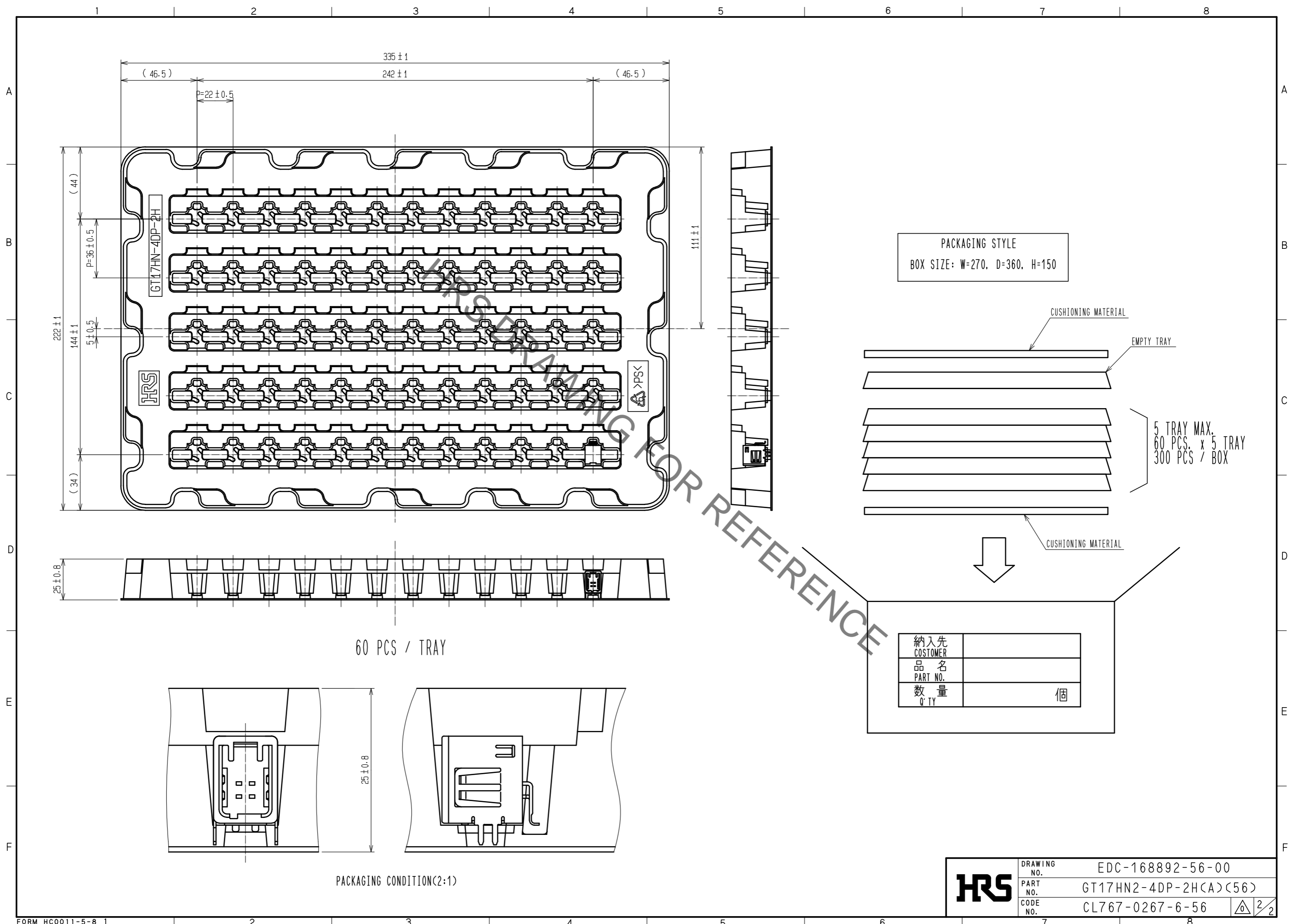
GT17HN-4DS-HU

RECOMMENDED PANNEL LAYOUT

RECOMMENDED PCB LAYOUT

2	PA	BROWN	4	COPPER ALLOY	TIN PLATING		
1	COPPER ALLOY	TIN PLATING	3	COPPER ALLOY	TIN PLATING		
NO.	MATERIAL	FINISH . REMARKS	NO.	MATERIAL	FINISH . REMARKS		
UNITS		SCALE	COUNT	DESCRIPTION OF REVISIONS	DESIGNED	CHECKED	DATE
mm		2 : 1					
APPROVED : KI. HIROKAWA 20200326				DRAWING NO. EDC-168892-56-00			
CHECKED : E.J. WAKATSUKI 20200325				PART NO. GT17HN2-4DP-2H(A)(56)			
DESIGNED : TS. KUBOTA 20200325				CODE NO. CL767-0267-6-56			
DRAWN : YK. MITSUISHI 20200221							

Sep.1.2021 Copyright 2021 HIROSE ELECTRIC CO., LTD. All Rights Reserved.
In case of consideration for using Automotive equipment / device which demand high reliability, kindly contact our sales window correspondents.



Mouser Electronics

Authorized Distributor

Click to View Pricing, Inventory, Delivery & Lifecycle Information:

[Hirose Electric:](#)

[GT17HN2-4DP-2H\(A\)\(56\)](#)