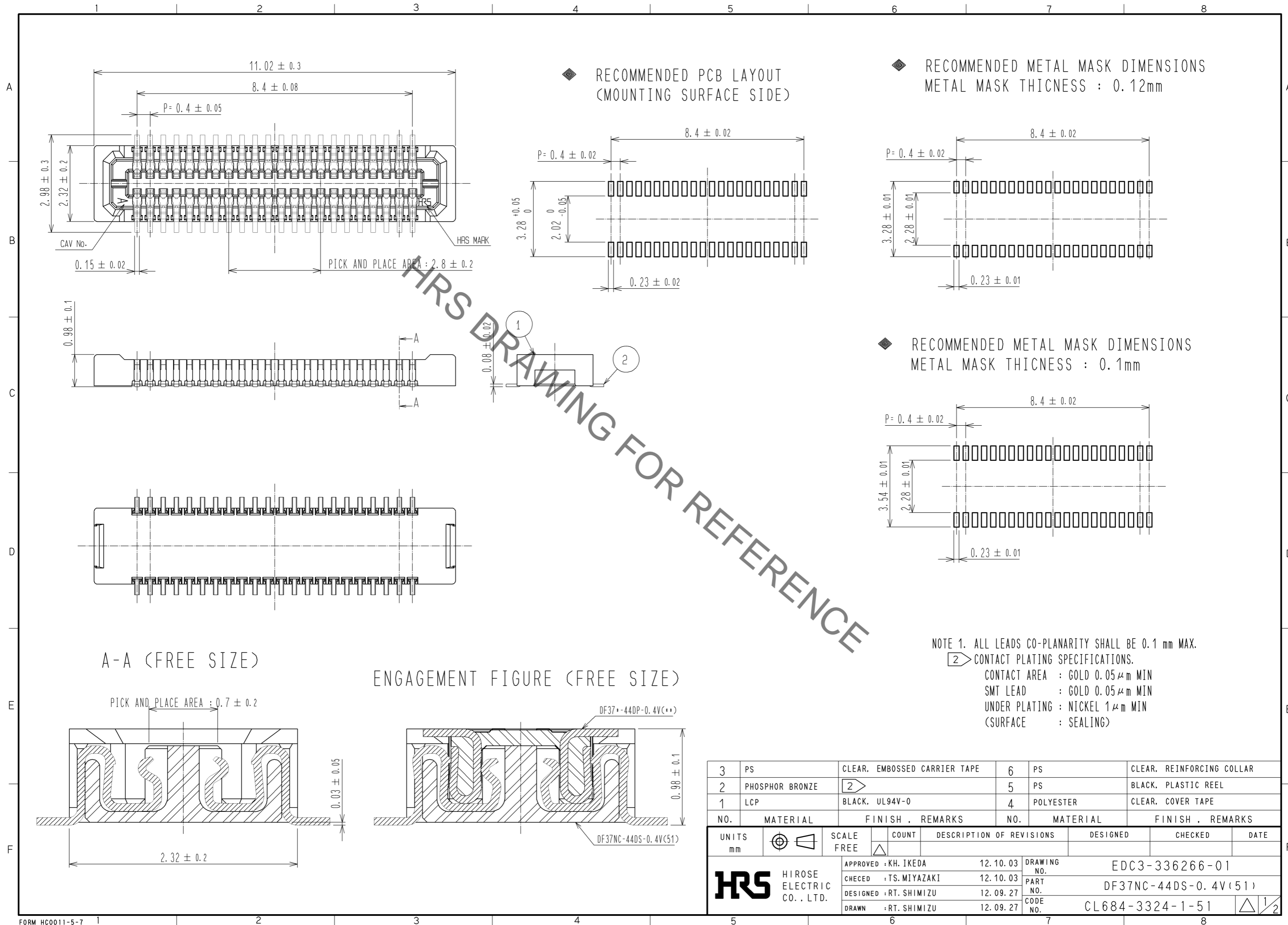


Nov.1.2019 Copyright 2019 HIROSE ELECTRIC CO., LTD. All Rights Reserved.
 In case of consideration for using Automotive equipment / device which demand high reliability, kindly contact our sales window correspondents.

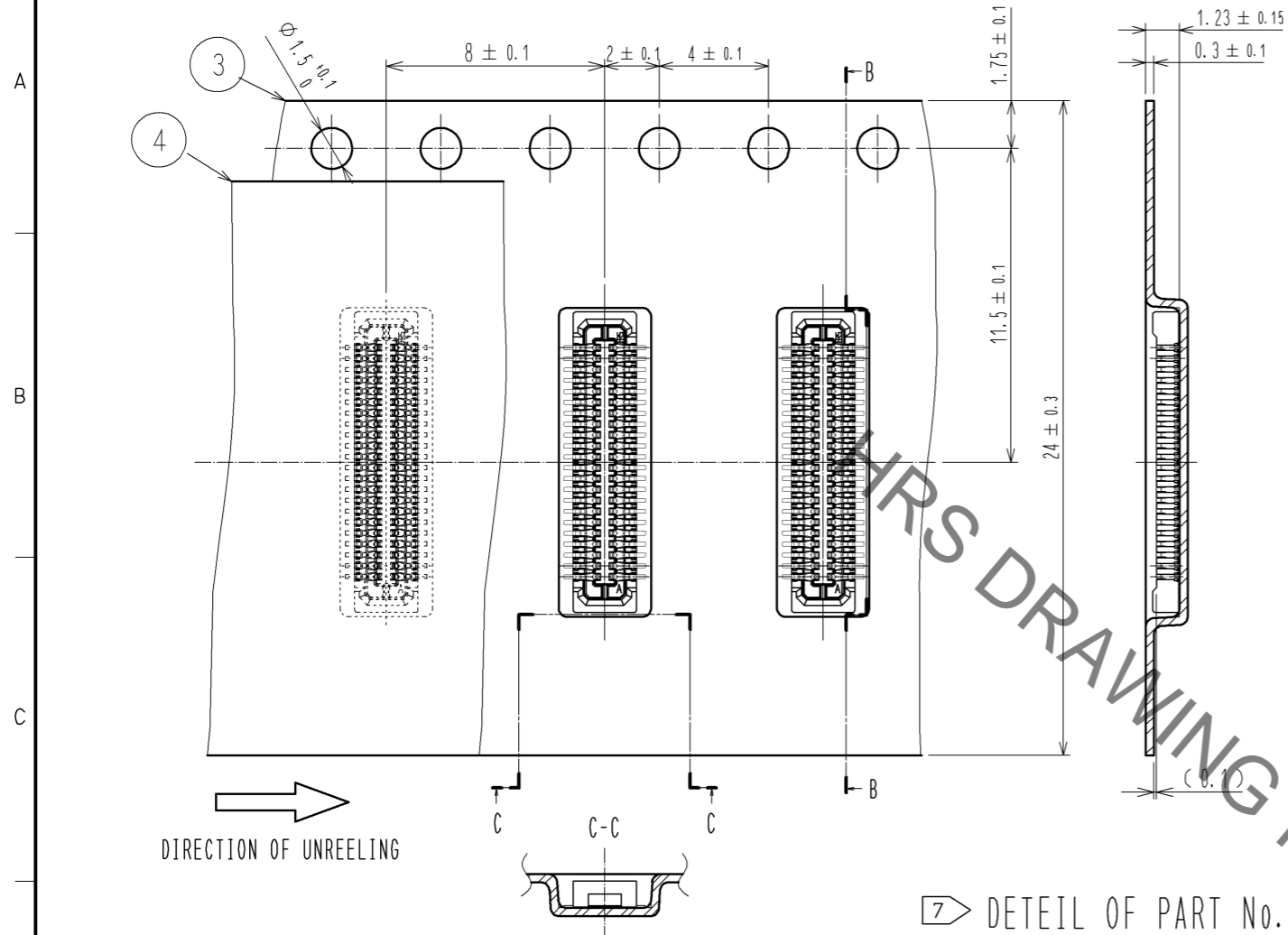


HRS DRAWING FOR REFERENCE

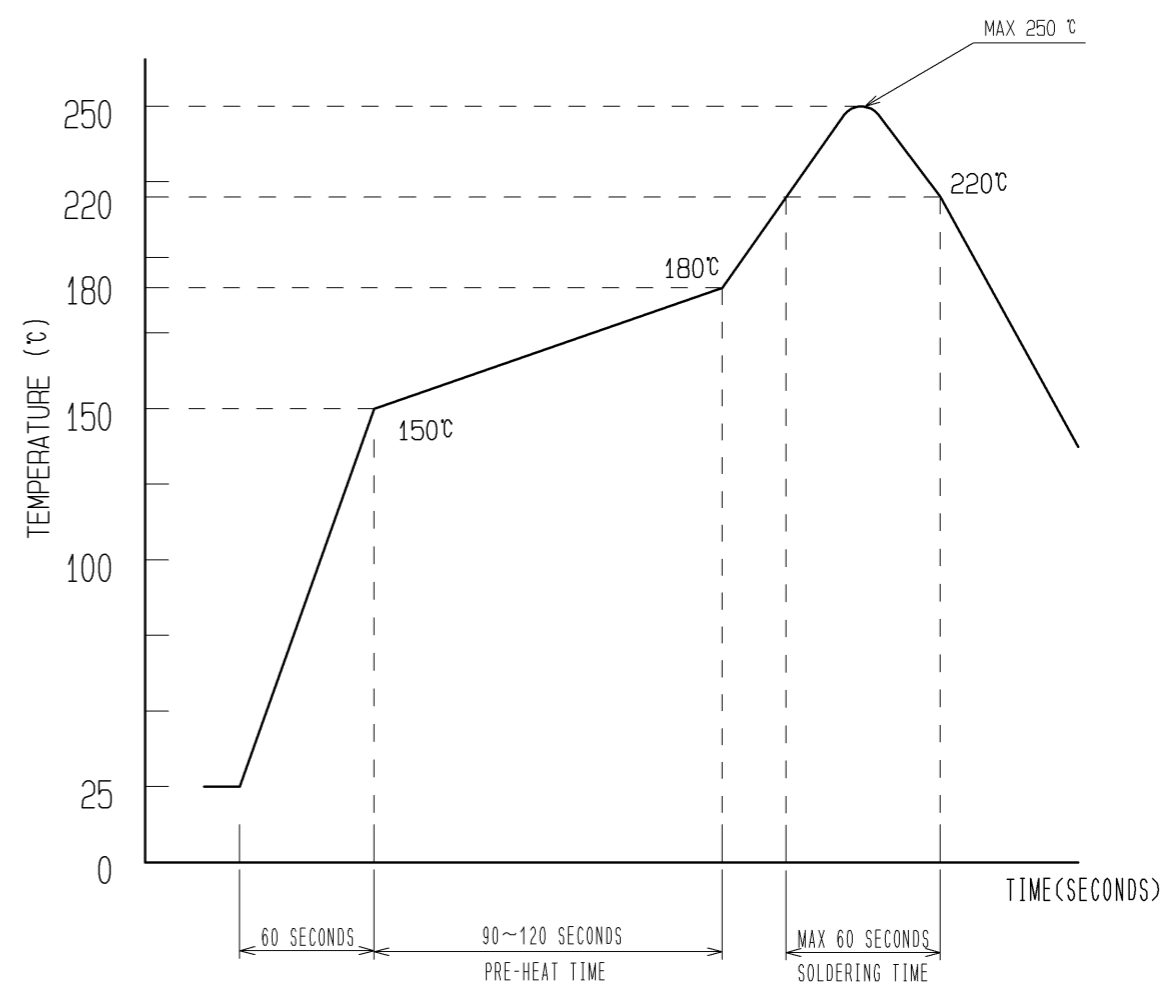
3	PS	CLEAR. EMBOSSED CARRIER TAPE	6	PS	CLEAR. REINFORCING COLLAR			
2	PHOSPHOR BRONZE	2	5	PS	BLACK. PLASTIC REEL			
1	LCP	BLACK. UL94V-0	4	POLYESTER	CLEAR. COVER TAPE			
NO.	MATERIAL	FINISH . REMARKS	NO.	MATERIAL	FINISH . REMARKS			
UNITS	mm	SCALE	FREE	COUNT	DESCRIPTION OF REVISIONS	DESIGNED	CHECKED	DATE
HRS		HIROSE ELECTRIC CO., LTD.		APPROVED : KH. IKEDA	12.10.03	DRAWING NO. EDC3-336266-01		
				CHECED : TS. MIYAZAKI	12.10.03	PART NO. DF37NC-44DS-0.4V(51)		
				DESIGNED : RT. SHIMIZU	12.09.27	CODE NO. CL684-3324-1-51		1/2
				DRAWN : RT. SHIMIZU	12.09.27			

Nov.1.2019 Copyright 2019 HIROSE ELECTRIC CO., LTD. All Rights Reserved.
In case of consideration for using Automotive equipment / device which demand high reliability, kindly contact our sales window correspondents.

EMBOSSED CARRIER TAPE PACKAGING (FREE SIZE)

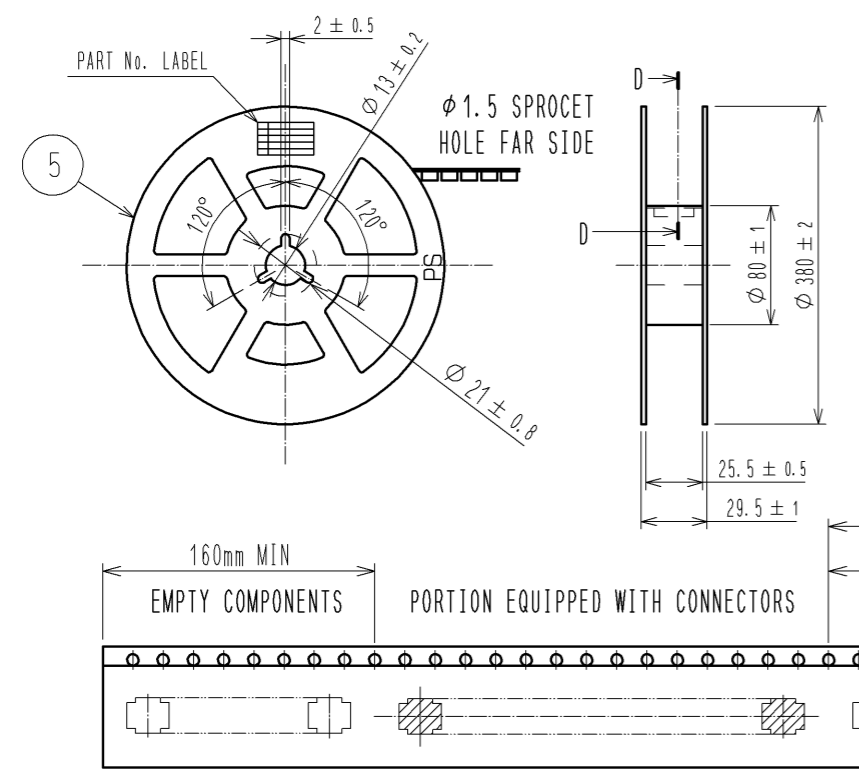


RECOMMENDED REFLOW TEMPERATURE PROFILE USING LEAD-FREE SOLDER PASTE.



DETAIL OF PART No. LABEL

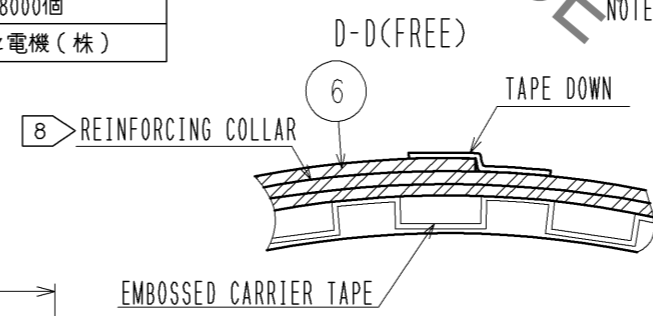
STYLE AND DIMENSION OF REEL (FREE SIZE)



SUPPLIER	QUANTITY	PART NO.	CODE NO.	DATE OF MANUFACTURED
製造年月日	年 月 日	製品コード	CL684-3324-1-51	
製品名	DF37NC-44DS-0.4V(51)	数量	8000個	納入者
				ヒロセ電機(株)

- 1) REFLOW TIME
REFLOW METHOD: IR REFLOW
NUMBER OF REFLOW CYCLES: 2 CYCLES MAX.
DURATION ABOVE 220 °C, 60 SEC. MAX.
(PEAK TEMPERATURE: 250°C MAX.)
- 2) PRE-HEAT TIME
PRE-HEAT TEMPERATURE(MIN) :150 °C
PRE-HEAT TEMPERATURE(MAX) :180 °C
PRE-HEAT TIME : 90~120 sec.

- NOTES
- 3) THIS TEMPERATURE PROFILE IS PER THE CONDITIONS SHOWN ABOVE. ADDITIONAL FACTORS, SUCH AS SOLDER PASTE TYPE, PCB SIZE AND OTHER MOUNTED COMPONENTS COULD AFFECT THE PROFILE. THEREFORE, A THOROUGH EVALUATION OF MOUNTING CONDITION IS REQUIRED PRIOR TO PRODUCTION. TEMPERATURE IS MEASURED AT CONTACT LEAD.
 - 4. PER REEL 8000 CONNECTORS.
 - 5. THE DIMENSIONS IN PARENTHESES ARE FOR REFERENCE.
 - 6) REFER TO JIS C 0806-3 OR IEC 60286-3 (PACKING OF COMPONENTS FOR AUTOMATIC HANDLING)
 - 7) DETAIL OF PART NO. LABEL IS WRITTEN IN JAPANESE.
 - 8) AFTER FINISHING THE REELING, COVER THE SURFACE WITH 2 METERS OF REINFORCING COLLAR AND THE DOWN AT THE END.



HRS	DRAWING NO.	EDC3-336266-01
	PART NO.	DF37NC-44DS-0.4V(51)
	CODE NO.	CL684-3324-1-51
		△ 2/2

Mouser Electronics

Authorized Distributor

Click to View Pricing, Inventory, Delivery & Lifecycle Information:

[Hirose Electric:](#)

[DF37NC-44DS-0.4V\(51\)](#)