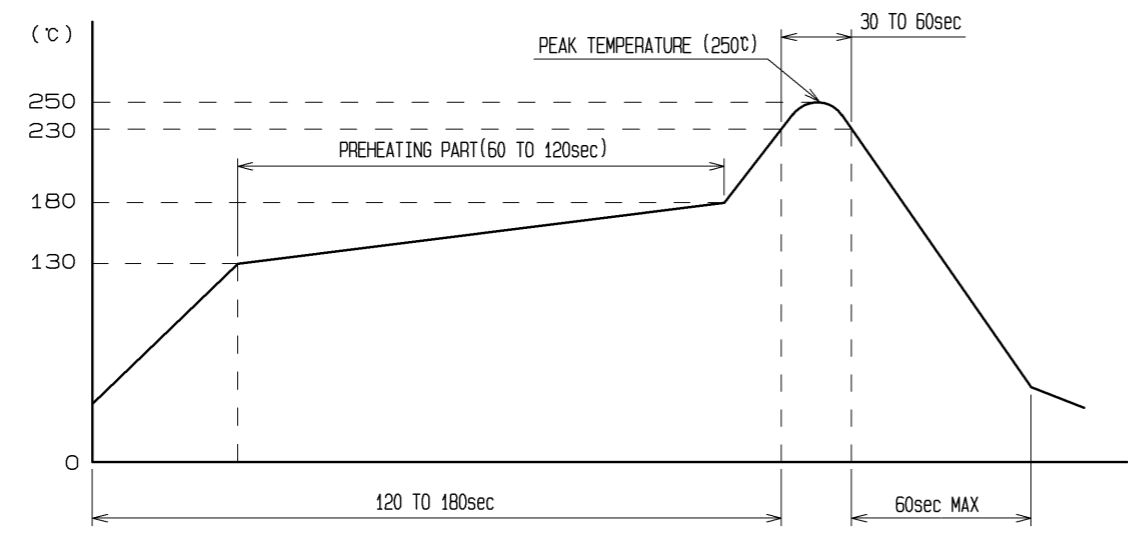
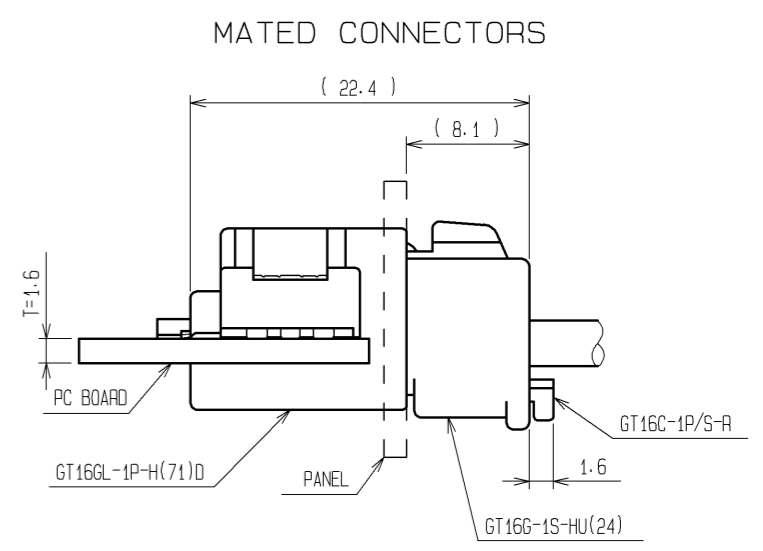
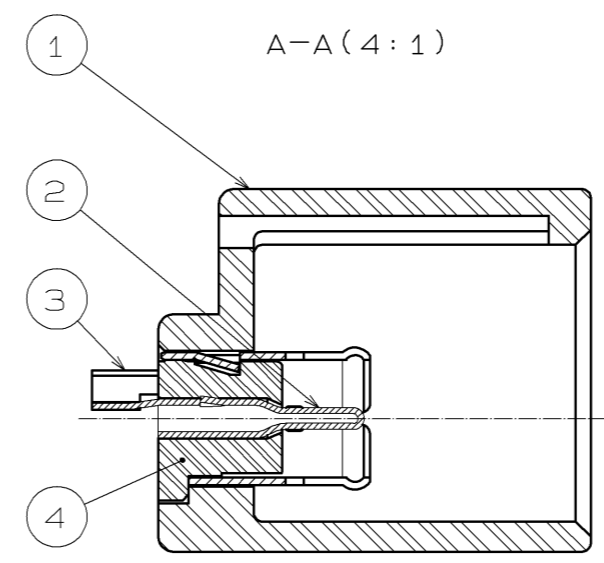
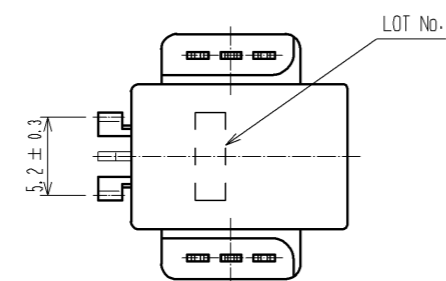
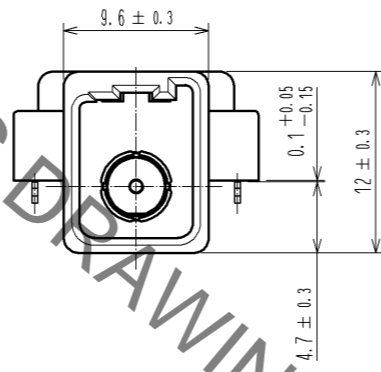
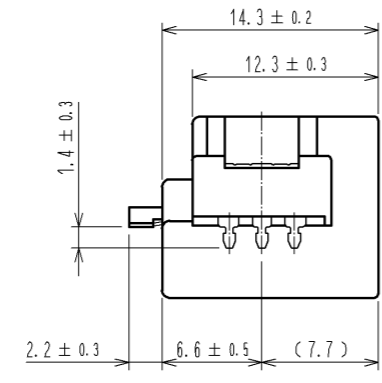
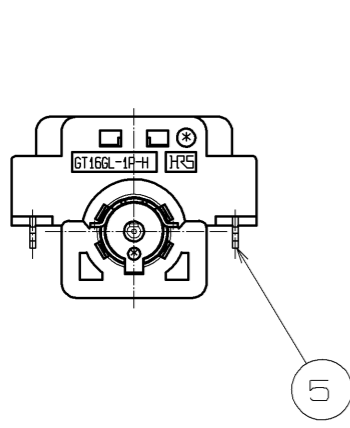
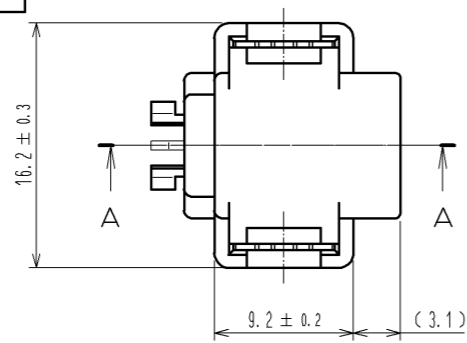
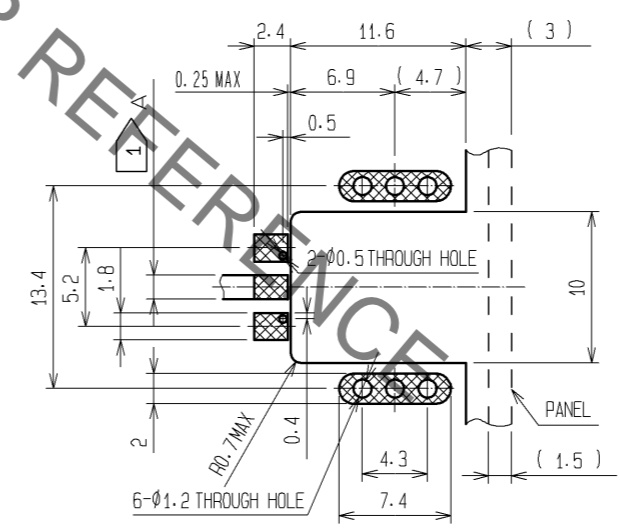


Oct.1.2019 Copyright 2019 HIROSE ELECTRIC CO., LTD. All Rights Reserved.
In case of consideration for using Automotive equipment / device which demand high reliability, kindly contact our sales window correspondents.

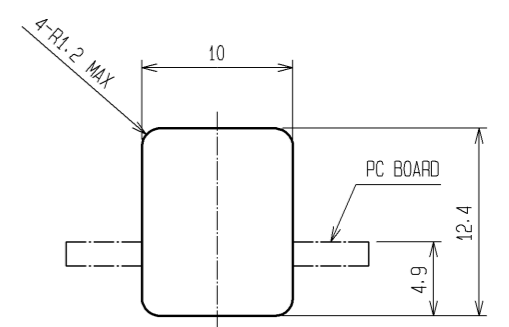
ELV. RoHS COMPLIANT



RECOMMENDED PC BOARD PATTERN



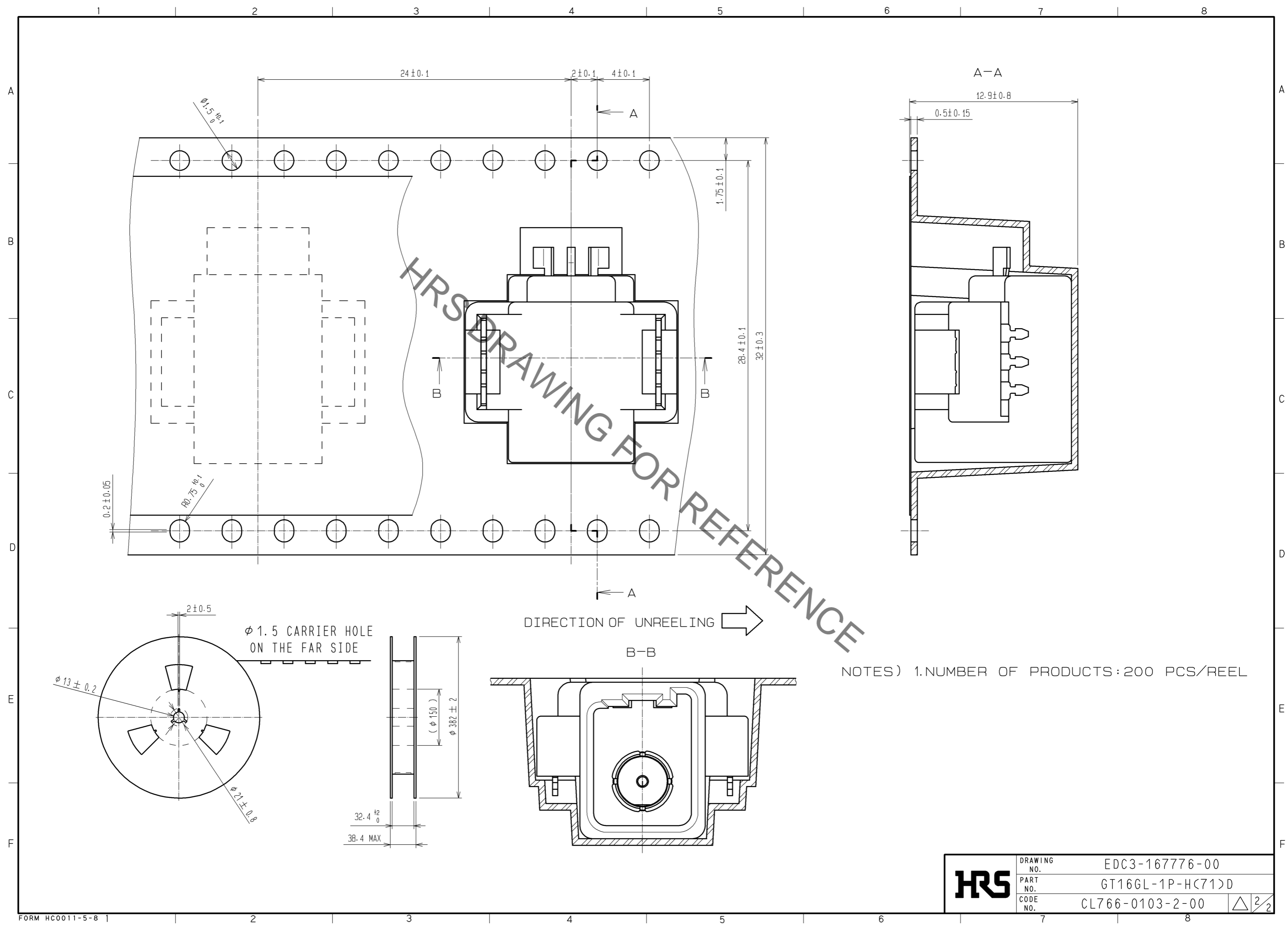
RECOMMENDED PANEL CUTOUT



NOTE 1 A MUST BE TAKEN TO OBTAIN IMPEDANCE CHARACTERISTIC OF 50Ω.
2. THE RECOMMENDED REFLOW TEMPERATURE PROFILE IS AS FIGURE.

2	PHOSPHOR BRONZE	TIN PLATED	5	BRASS	TIN PLATED
1	PPS	BLACK	4	PPS	NATURAL
			3	PHOSPHOR BRONZE	TIN PLATED
NO.	MATERIAL	FINISH . REMARKS	NO.	MATERIAL	FINISH . REMARKS
UNITS mm		SCALE 2 : 1	COUNT		DESCRIPTION OF REVISIONS
DESIGNED		CHECKED		DATE	
APPROVED : NH. NAKATA			14. 07. 10		
CHECKED : KI. HIROKAWA			14. 07. 10		
DESIGNED : KT. OKABE			14. 07. 10		
DRAWN : KT. OKABE			14. 07. 10		
DRAWING NO.				EDC3-167776-00	
PART NO.				GT16GL-1P-H(71)D	
CODE NO.				CL766-0103-2-00	

Oct.1.2019 Copyright 2019 HIROSE ELECTRIC CO., LTD. All Rights Reserved.
 In case of consideration for using Automotive equipment / device which demand high reliability, kindly contact our sales window correspondents.



HRS DRAWING FOR REFERENCE

NOTES) 1. NUMBER OF PRODUCTS : 200 PCS/REEL

HRS	DRAWING NO.	EDC3-167776-00	△ 2/2
	PART NO.	GT16GL-1P-H(71)D	
	CODE NO.	CL766-0103-2-00	

Mouser Electronics

Authorized Distributor

Click to View Pricing, Inventory, Delivery & Lifecycle Information:

[Hirose Electric:](#)

[GT16GL-1P-H\(71\)D](#)