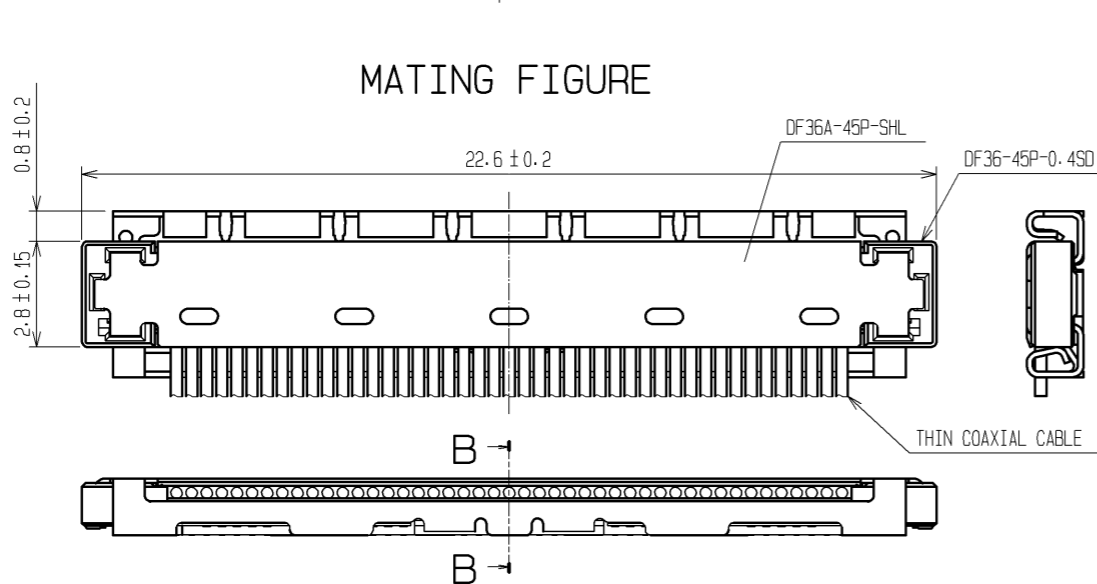
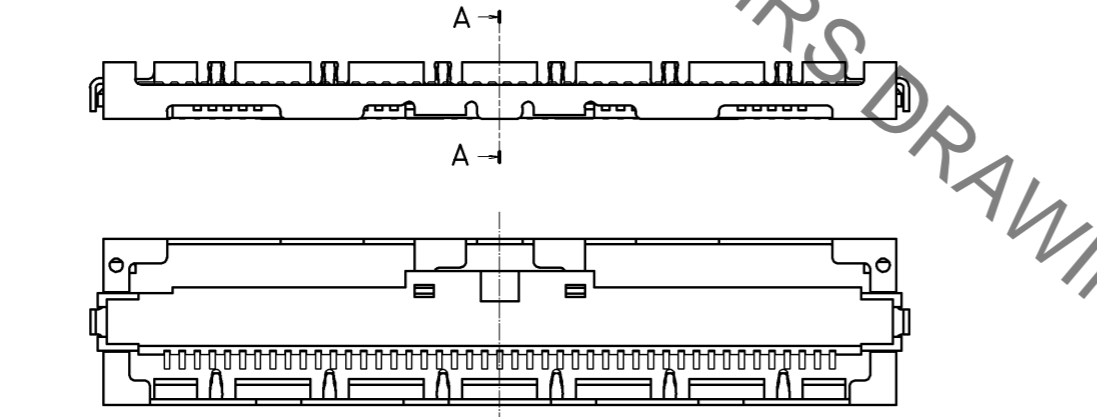
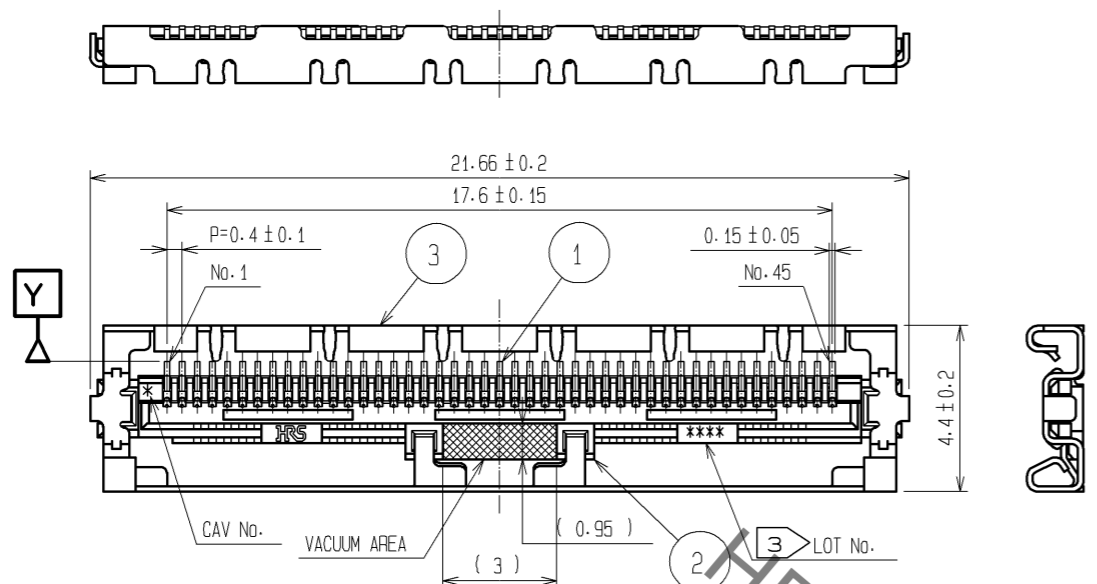
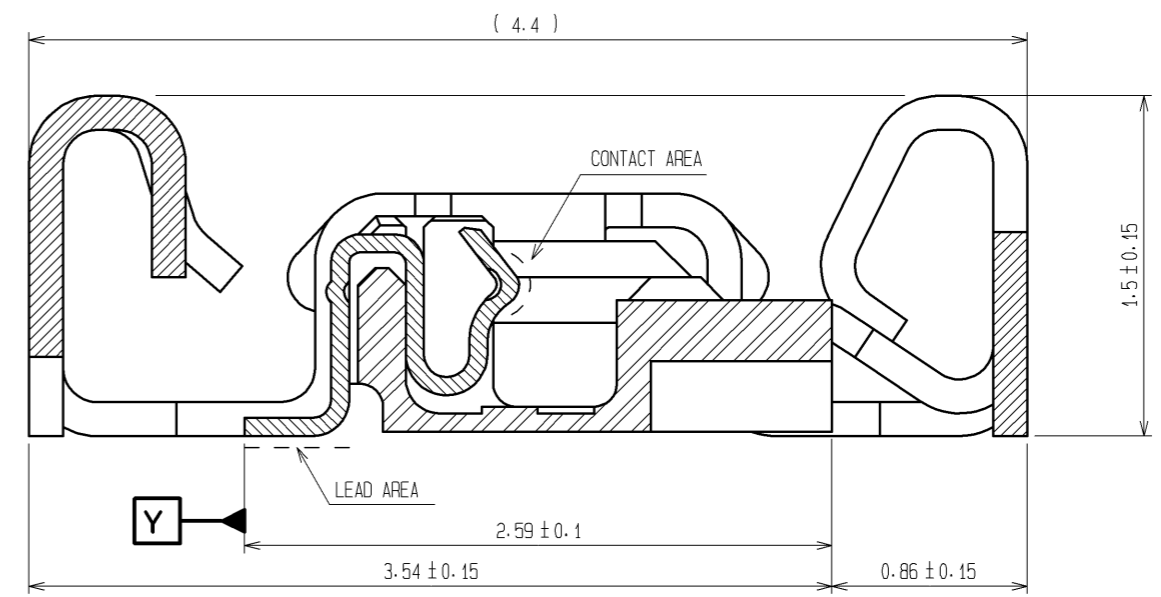


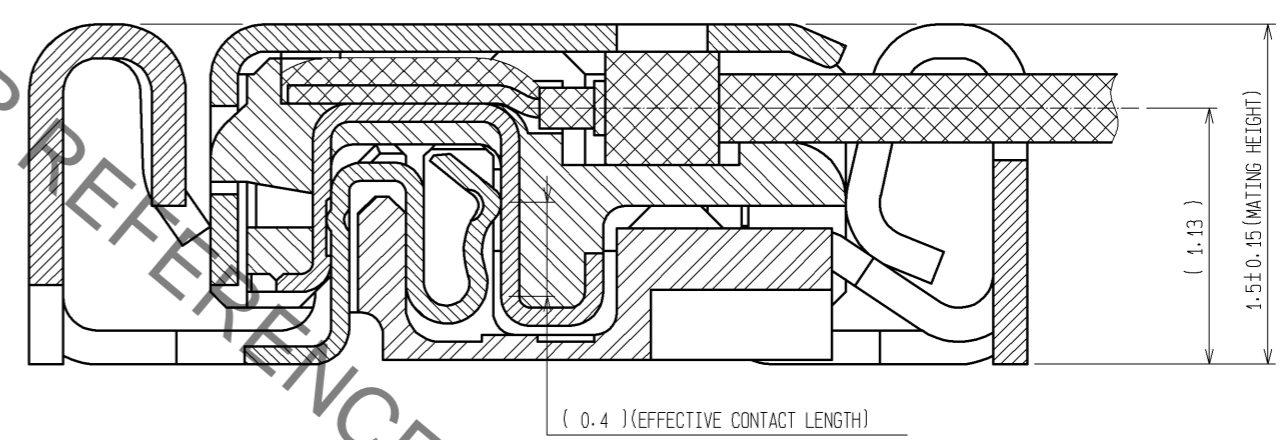
Oct.1.2019 Copyright 2019 HIROSE ELECTRIC CO., LTD. All Rights Reserved.  
 In case of consideration for using Automotive equipment / device which demand high reliability, kindly contact our sales window correspondents.



A-A (30:1) △



B-B (30:1) △



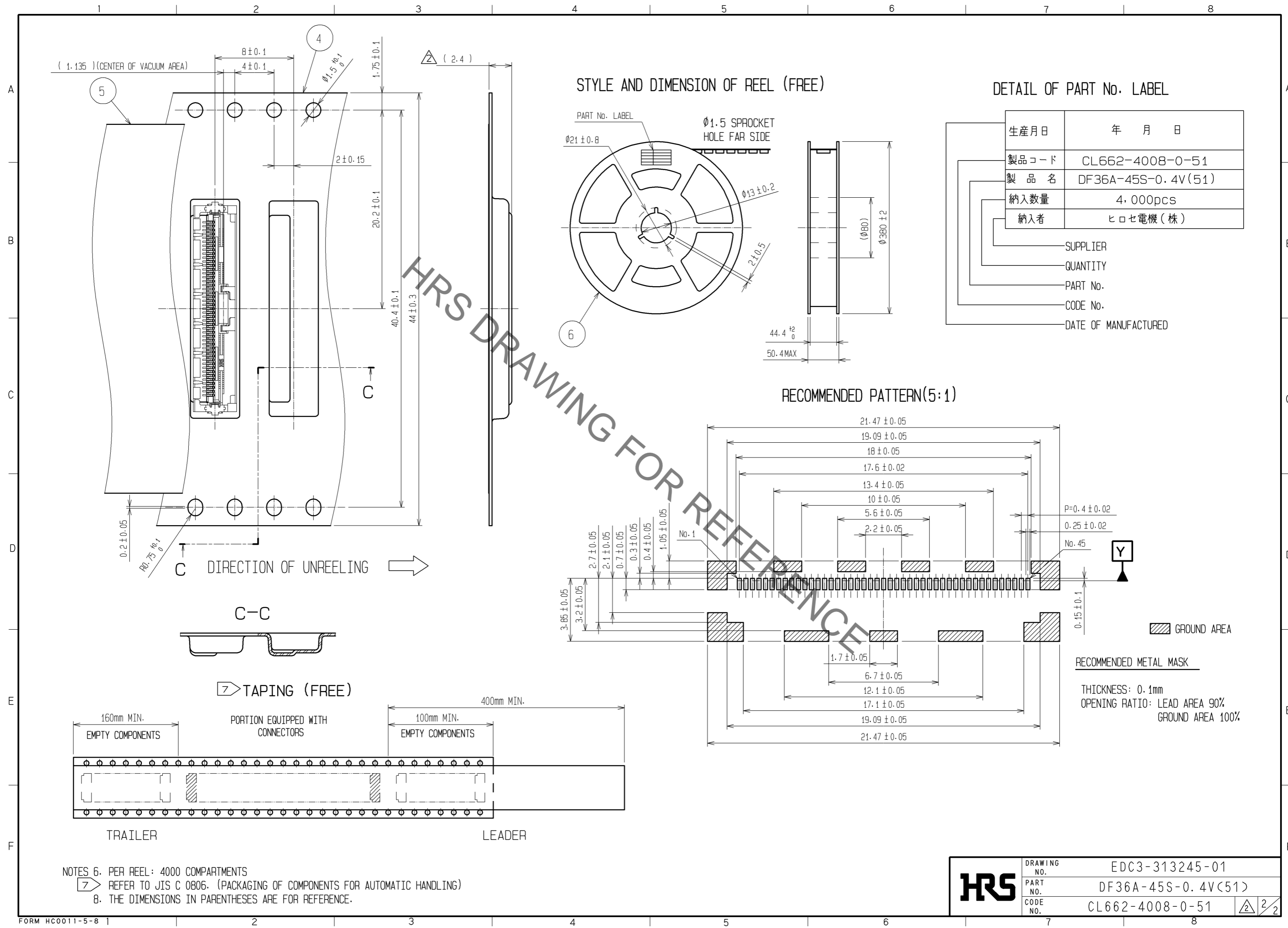
NOTES

1. LEAD CO-PLANARITY SHALL BE 0.1mm MAX.
2. STIFFENER IS REQUIRED FOR MOUNTING ONTO FPC IN ORDER TO AVOID STRESS BY FPC SLACKING TO MOUNTED CONNECTOR.
3. LOT No. INFORMATION IS SHOWN IN THE TABLE.  
EXAMPLE:BGFD  
-YEAR:2008 MONTH:July DAY:15 LINE No. :4
4. UNMATING SHALL BE DONE WITH THE SPECIFIC EXTRACTION TOOL.
5. SOLDERING REWORK IS NOT POSSIBLE SINCE SOLDERING LEADS ARE COVERED BY METAL SHIELDING.

YEAR		MONTH		DAY						LINE No.	
YEAR	CODE	MONTH	CODE	DAY	CODE	DAY	CODE	DAY	CODE	LINE No.	CODE
10	0	Jan	A	1	1	11	B	21	M	1	A
11	1	Feb	B	2	2	12	C	22	N	2	B
12	2	Mar	C	3	3	13	D	23	P	3	C
13	3	Apr	D	4	4	14	E	24	Q	4	D
14	4	May	E	5	5	15	F	25	R	5	E
15	5	Jun	F	6	6	16	G	26	S	6	F
16	6	Jul	G	7	7	17	H	27	T	7	G
17	7	Aug	H	8	8	18	J	28	U	8	H
08	8	Sep	I	9	9	19	K	29	V	9	I
09	9	Oct	J	10	A	20	L	30	W	10	J
		Nov	K					31	X		
		Dec	L								

2	LCP	UL94V-0	6	PS	BLACK
1	PHOSPHOR BRONZE	CONTACT AREA : Au PLATING 0.3µm min LEAD AREA : Au PLATING 0.1µm min	5	POLYESTER	CLEAR
			4	PS	CLEAR
			3	PHOSPHOR BRONZE	WHOLE AREA : Sn PLATING 1µm min UNDER PLATING : Cu PLATING 0.2µm min
NO.	MATERIAL	FINISH . REMARKS	NO.	MATERIAL	FINISH . REMARKS
UNITS	mm	SCALE 5 : 1	COUNT 3	DESCRIPTION OF REVISIONS	DESIGNED SI. ISHII
				DIS-H-002943	CHECKED HK. UMEHARA
				DATE 08.06.04	
APPROVED : TY. OMA		06.12.18		DRAWING NO. EDC3-313245-01	
CHECKED : TS. SAKATA		06.12.17		PART NO. DF36A-45S-0.4V(51)	
DESIGNED : MN. KENJO		06.12.15		CODE NO. CL662-4008-0-51	
DRAWN : MN. KENJO		06.12.15			

Oct.1.2019 Copyright 2019 HIROSE ELECTRIC CO., LTD. All Rights Reserved.  
In case of consideration for using Automotive equipment / device which demand high reliability, kindly contact our sales window correspondents.

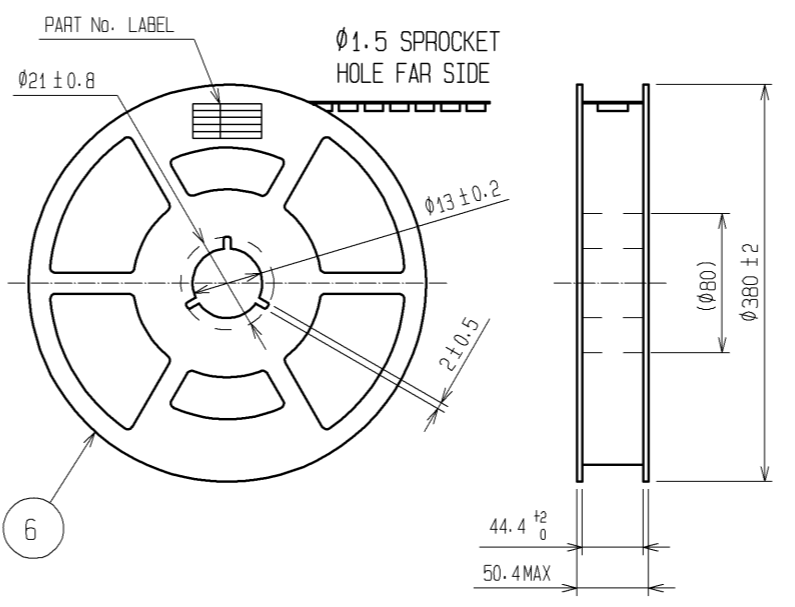


DETAIL OF PART No. LABEL

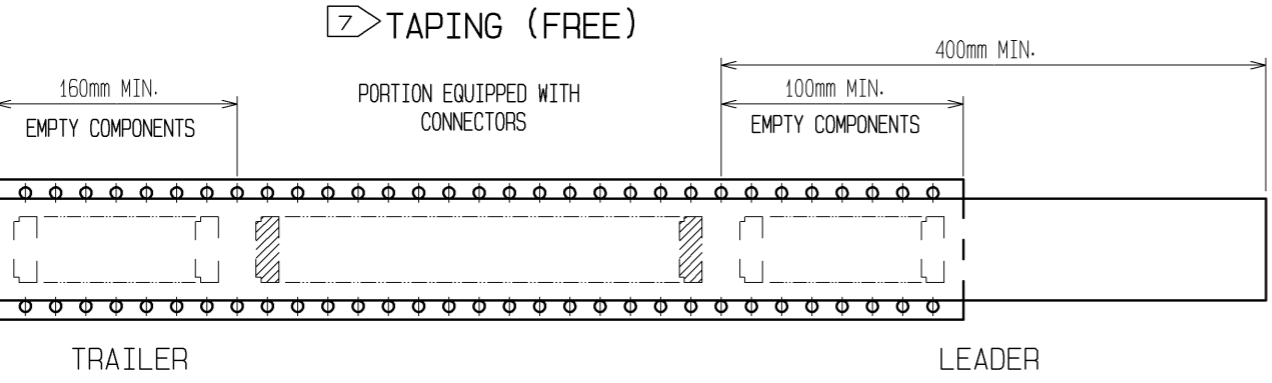
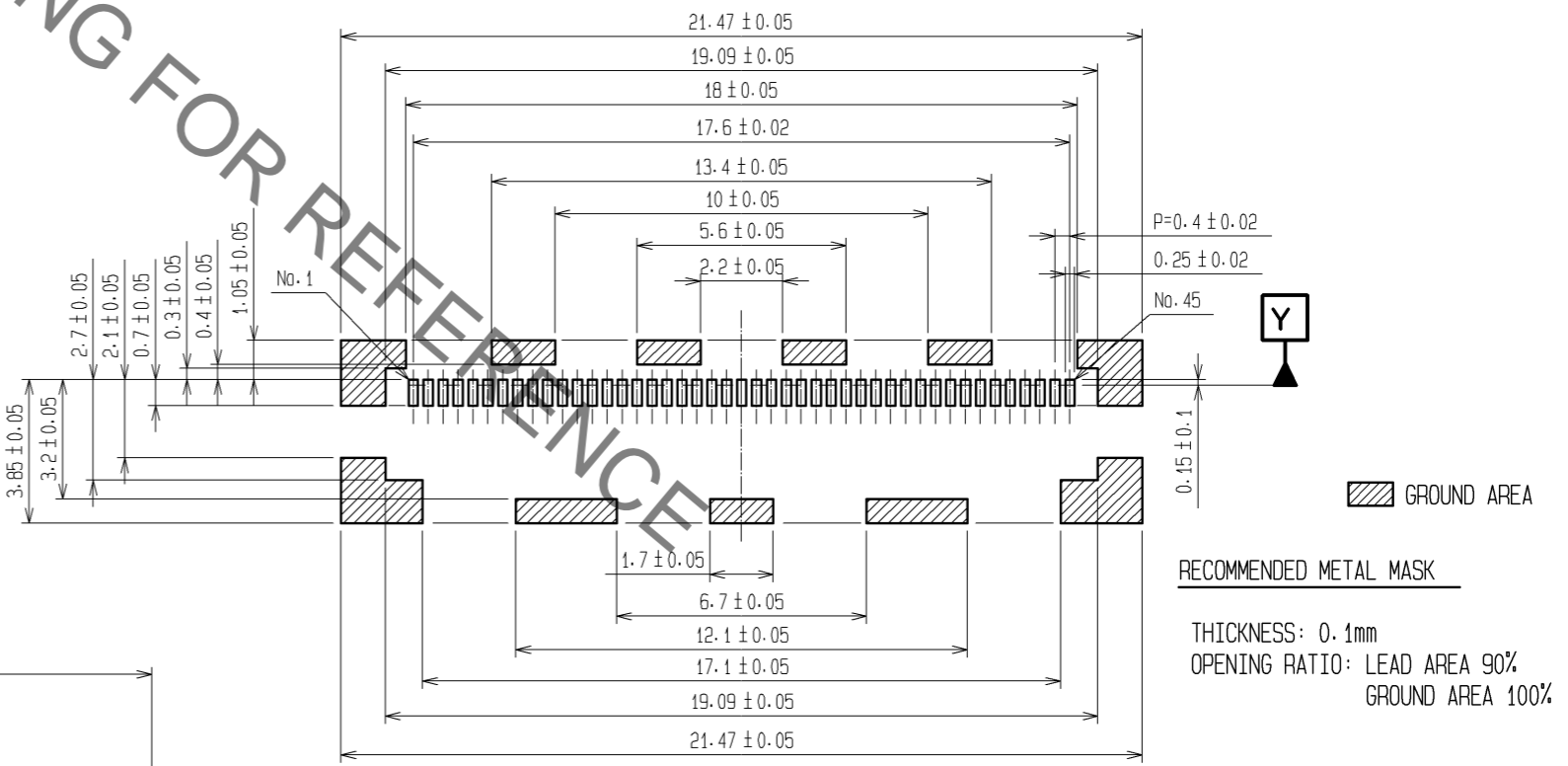
生産月日	年 月 日
製品コード	CL662-4008-0-51
製品名	DF36A-45S-0.4V(51)
納入数量	4,000pcs
納入者	ヒロセ電機(株)

SUPPLIER  
QUANTITY  
PART No.  
CODE No.  
DATE OF MANUFACTURED

STYLE AND DIMENSION OF REEL (FREE)



RECOMMENDED PATTERN(5:1)



NOTES 6. PER REEL: 4000 COMPARTMENTS  
7. REFER TO JIS C 0806. (PACKAGING OF COMPONENTS FOR AUTOMATIC HANDLING)  
8. THE DIMENSIONS IN PARENTHESES ARE FOR REFERENCE.

<b>HRS</b>	DRAWING NO.	EDC3-313245-01
	PART NO.	DF36A-45S-0.4V(51)
	CODE NO.	CL662-4008-0-51
		2/2

# Mouser Electronics

Authorized Distributor

Click to View Pricing, Inventory, Delivery & Lifecycle Information:

[Hirose Electric:](#)

[DF36A-45S-0.4V\(51\)](#)