

Aug.1.2019 Copyright 2019 HIROSE ELECTRIC CO., LTD. All Rights Reserved.
 In case of consideration for using Automotive equipment / device which demand high reliability, kindly contact our sales window correspondents.

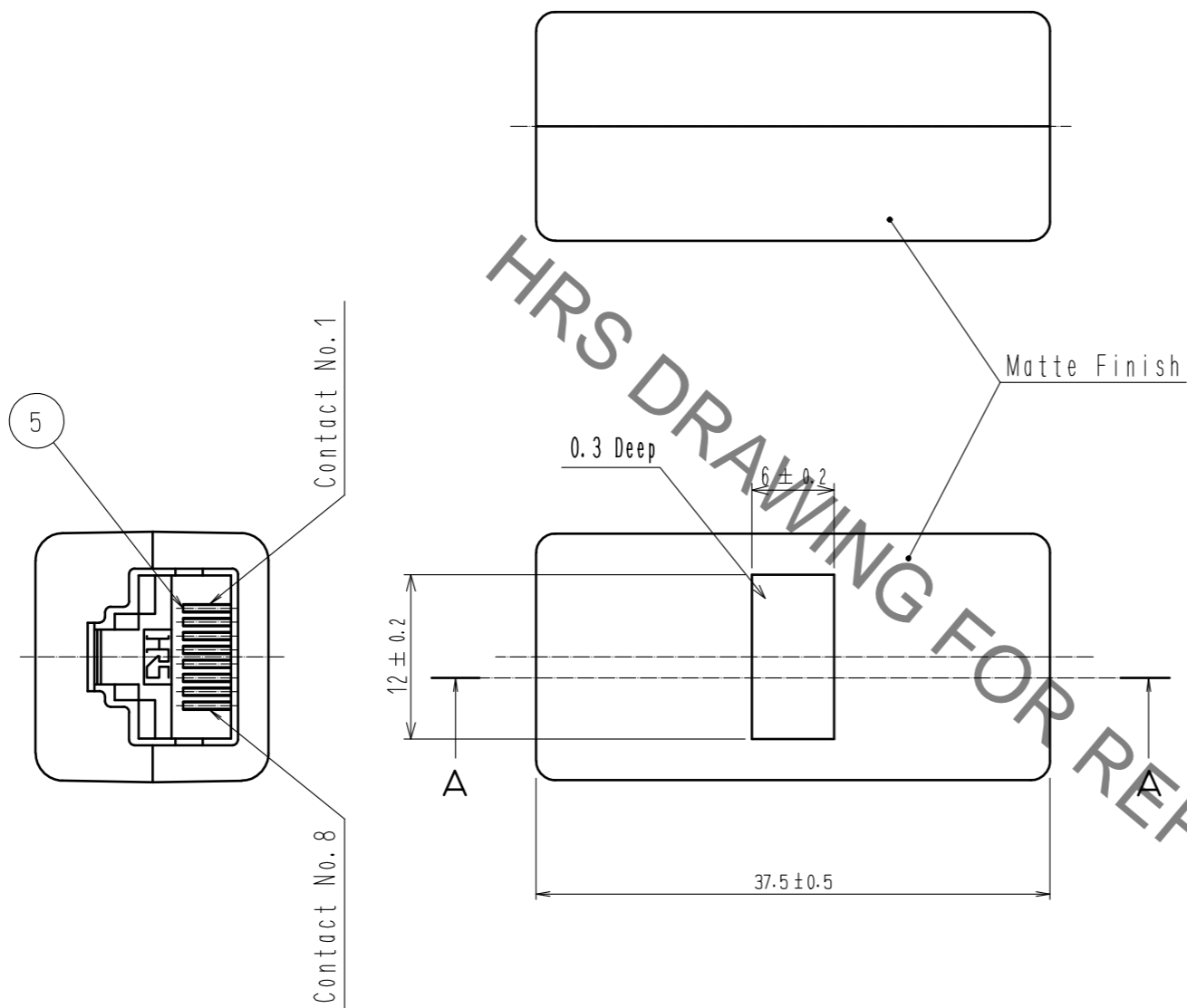
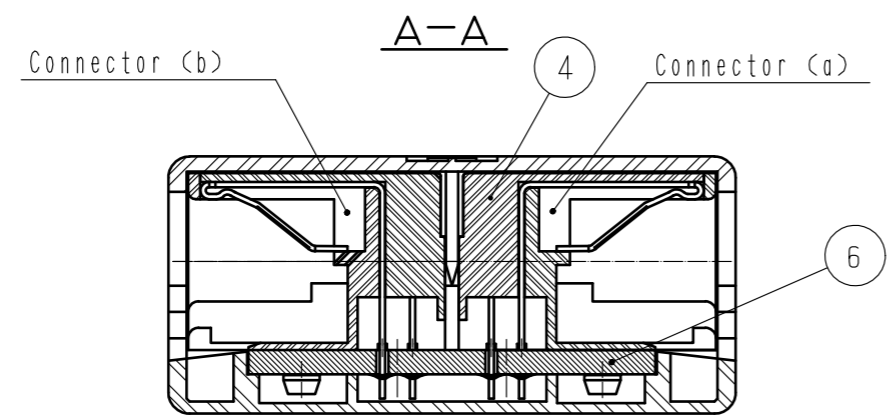
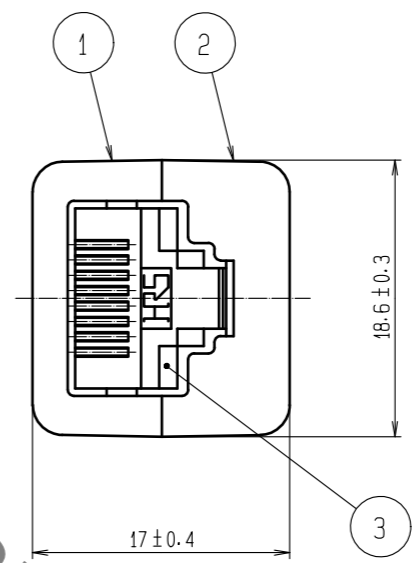


Table-1

Connector (a) TM5RL-88	1	2	3	4	5	6	7	8
Connector (b) TM5RL-88	1	2	3	4	5	6	7	8

Note 1 Assembly procedure of the connector included into the cover case is based on Table-1.



HRS DRAWING FOR REFERENCE

NO.	MATERIAL	FINISH	REMARKS	NO.	MATERIAL	FINISH	REMARKS
3	PBT	Black	UL94V-0	6	Paper Based Epoxy		
2	Polycarbonate	Black	UL94V-0	5	Phosphor Bronze	Contact area : Gold 1.27 μm min Lead area : Tin 1 μm min Under plating : Nickel 1 μm min	
1	Polycarbonate	Black	UL94V-0	4	PBT	Black	UL94V-0

UNITS mm			SCALE 2 : 1	COUNT 	DESCRIPTION OF REVISIONS	DESIGNED	CHECKED	DATE
HRS HIROSE ELECTRIC CO., LTD.		APPROVED : NM. NISHIMATSU	16.10.14	DRAWING NO. EDC-047624-51-00				
		CHECKED : NM. NISHIMATSU	16.10.14	PART NO. TM5RL-88-JJ(51)				
		DESIGNED : MO. SHIMOYAMA	16.10.13	CODE NO. CL222-3798-7-51				
		DRAWN : JY. IGA	16.10.13					

Mouser Electronics

Authorized Distributor

Click to View Pricing, Inventory, Delivery & Lifecycle Information:

[Hirose Electric:](#)

[TM5RL-88-JJ\(51\)](#)