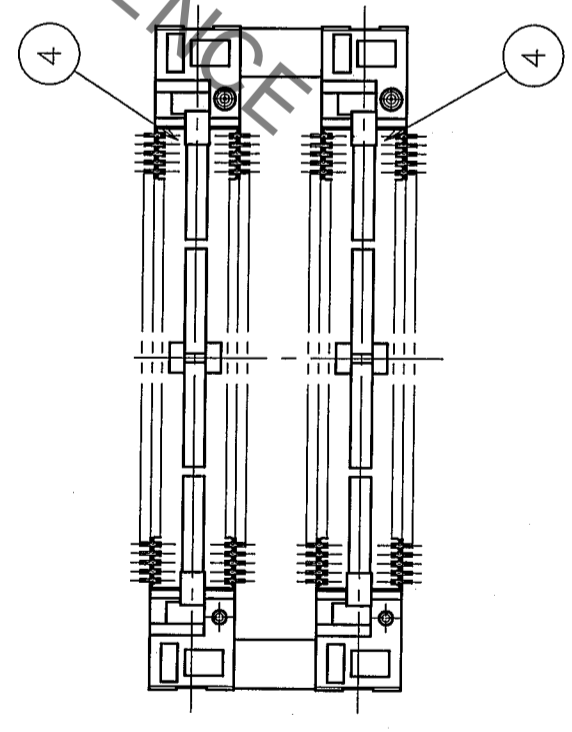
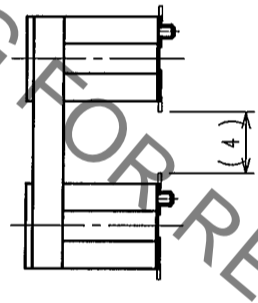
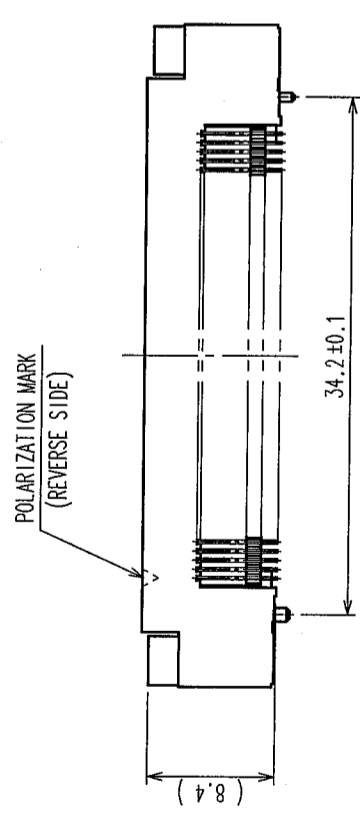
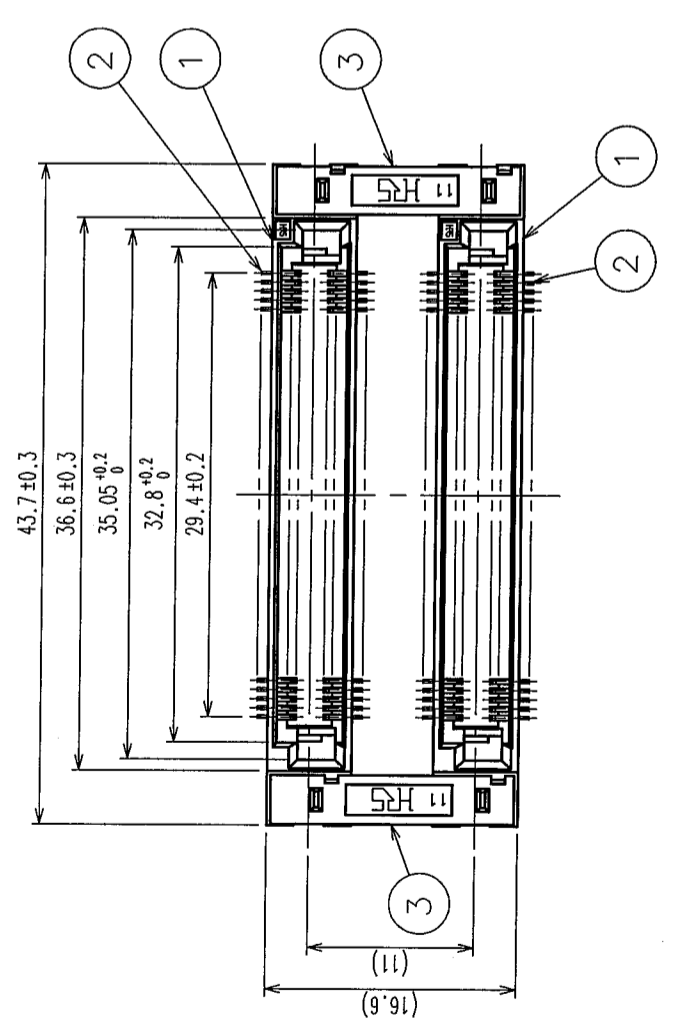
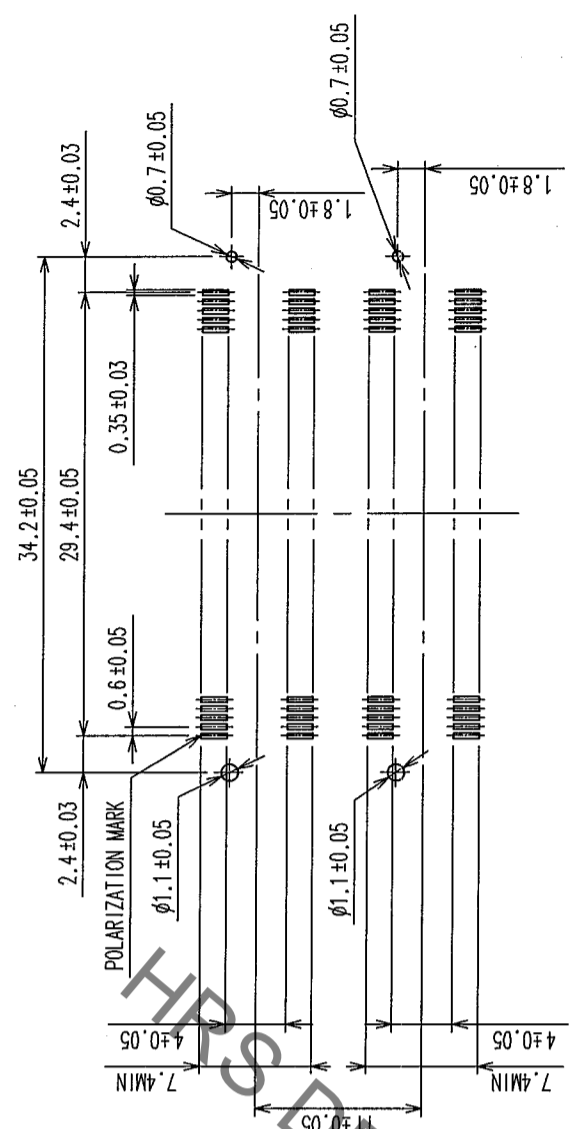


3 Jun.1.2019 Copyright 2019 HIROSE ELECTRIC CO., LTD. All Rights Reserved.
 In case of consideration for using Automotive equipment/device which demand high reliability, kindly contact our sales window correspondents.

COUNT	DESCRIPTION OF REVISIONS	BY	CHKD	DATE	COUNT	DESCRIPTION OF REVISIONS	BY	CHKD	DATE



**RECOMMENDED LAND PATTERN DIMENSION
 OF PCB (MOUNTING SIDE)**



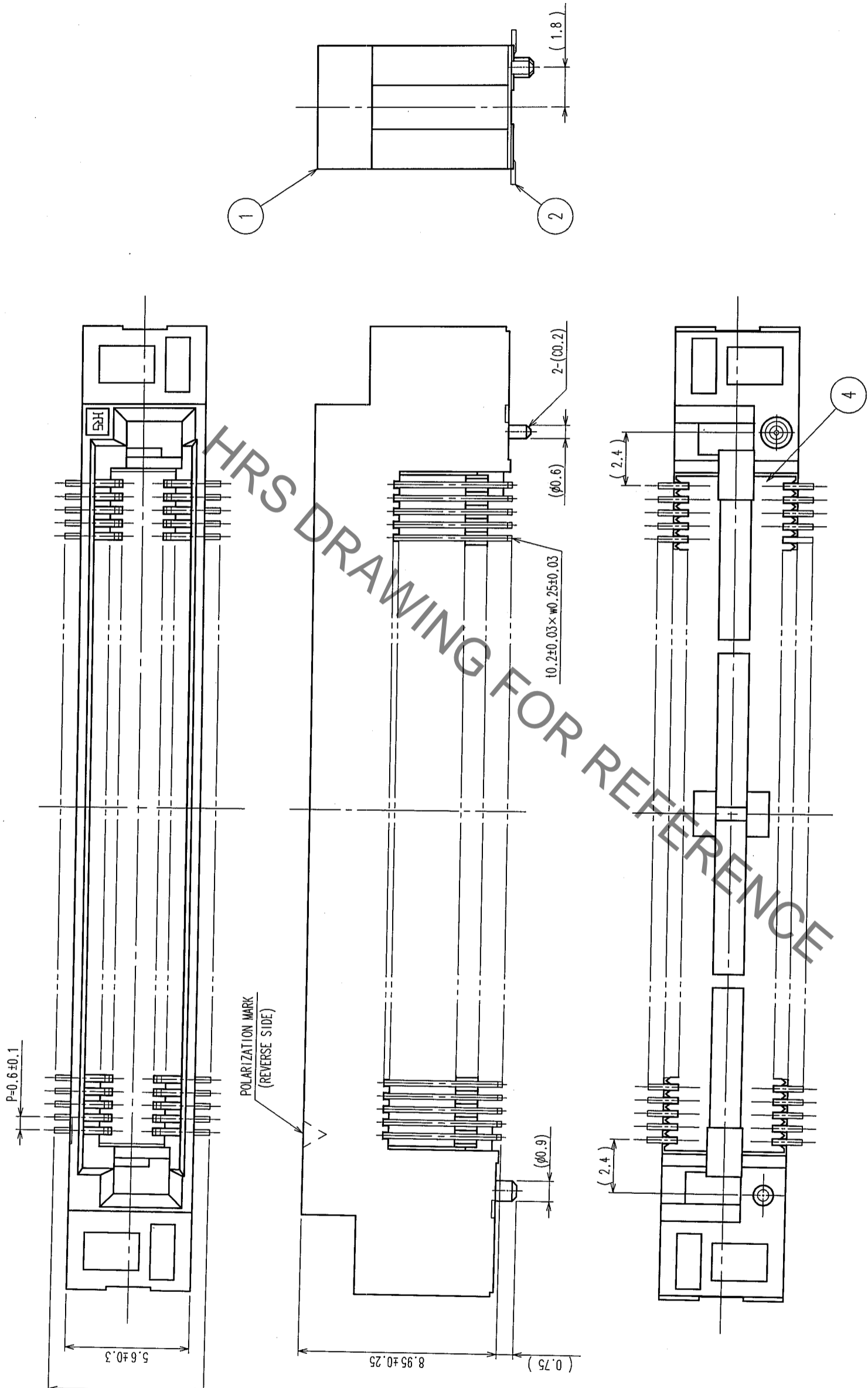
- NOTES
- LEAD CO-PLANARITY SHALL BE 0.1mm MAX.
 - AFTER MOUNTING BOARD, REF.NO.3 SHALL BE REMOVED.
 - FOR MODIFICATION, ETC., PREVENTIVE HOLE FOR SINK MARK MAY BE ADDED DEPENDS ON CIRCUMSTANCES.
 - THE DIMENSIONS IN PARENTHESES ARE FOR REFERENCE.

1,3,4	POLYPHENYLENE SULFIDE	LIGHT BROWN (UL94V-0)	2	PHOSPHOR BRONZE	CONTACT AREA: GOLD 0.1μ m min LEAD AREA: TIN-PLATING 1μ m min UNDER PLATING: NICKEL 1μ m min
NO.	MATERIAL	FINISH, REMARKS	NO.	MATERIAL	FINISH, REMARKS
CODE NO. (OLD) CL					
DRAWN H. Doi 04.12.28		DESIGNED H. Doi 04.12.28		CHECKED H. Okawa 04.12.28	
DRAWING NO. EDC3-150973-25					
			PART NO. FX8C-100/100S11-SV5J(71)		
SCALE 2 : 1		CODE NO. CL578-0925-5-71			
UNITS mm					

TO	PCK	
----	-----	--

3 Jun.1.2019 Copyright 2019 HIROSE ELECTRIC CO., LTD. All Rights Reserved.
 In case of consideration for using Automotive equipment / device which demand high reliability, kindly contact our sales window correspondents.

DETAIL AFTER REMOVING JOINT



COUNT		DESCRIPTION OF REVISIONS		BY	CHKD	DATE
△	△					
△	△					
△	△					

COUNT		DESCRIPTION OF REVISIONS		BY	CHKD	DATE
△	△					
△	△					
△	△					

TO	
PCK	

NOTE THE DIMENSIONS IN PARENTHESES ARE FOR REFERENCE.

NO.	MATERIAL	FINISH, REMARKS	NO.	MATERIAL	FINISH, REMARKS
CL					
SCALE	5 : 1				
UNITS	mm				
DRAWING NO.	EDC3-150973-25				
PART NO.	FX8C-100/100S11-SV5J(71)				
CODE NO.	CL578-0925-5-71				

NO.	MATERIAL	FINISH, REMARKS	NO.	MATERIAL	FINISH, REMARKS



Mouser Electronics

Authorized Distributor

Click to View Pricing, Inventory, Delivery & Lifecycle Information:

[Hirose Electric:](#)

[FX8C-100/100S11-SV5J\(71\)](#)