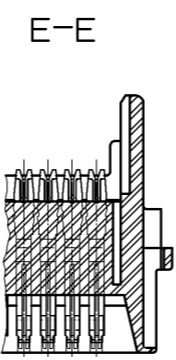
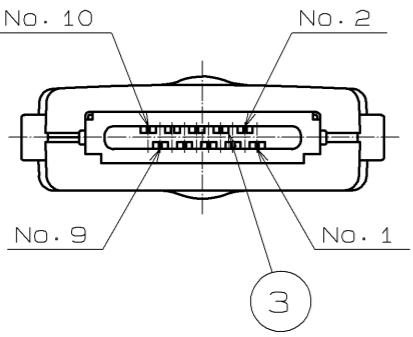
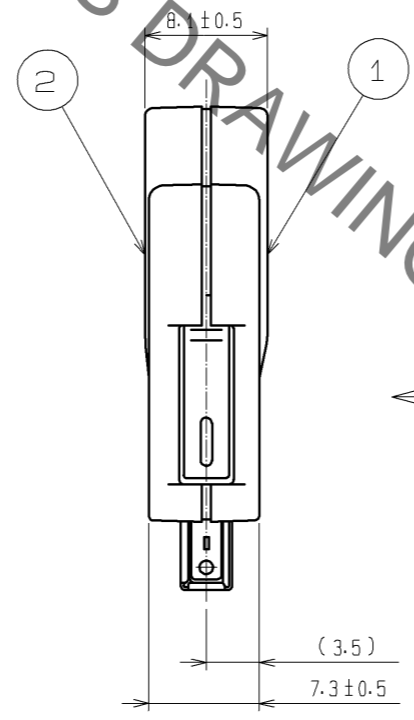
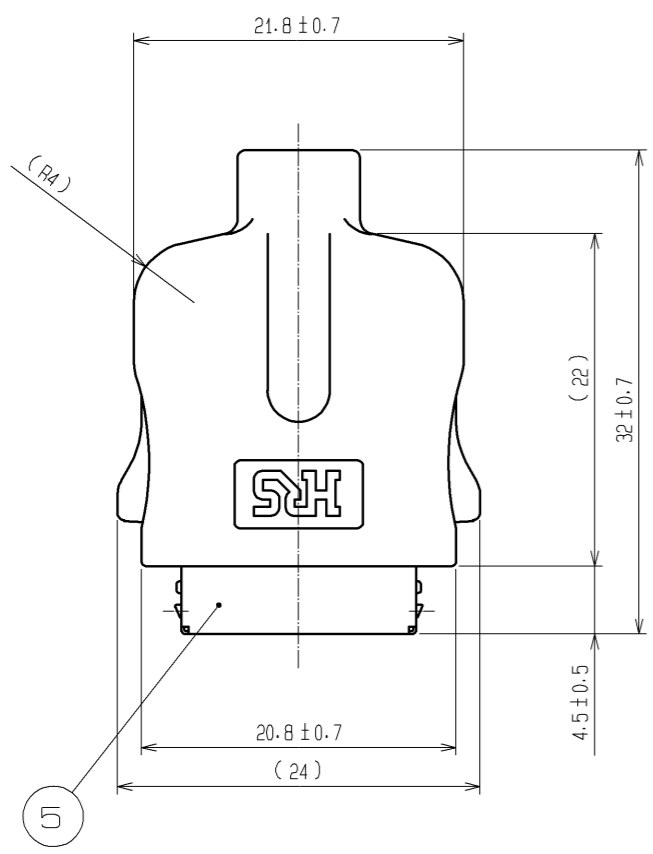
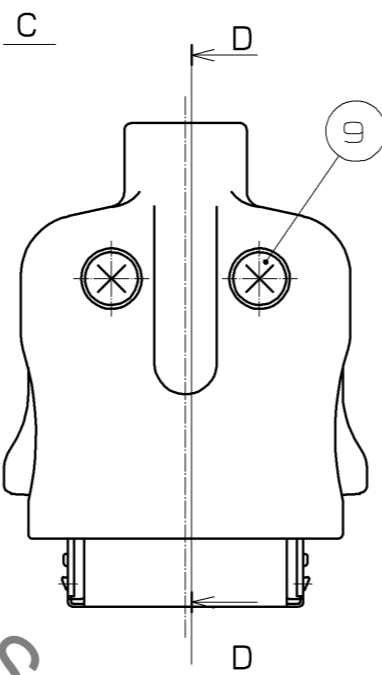
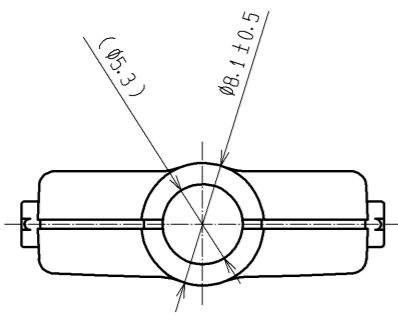
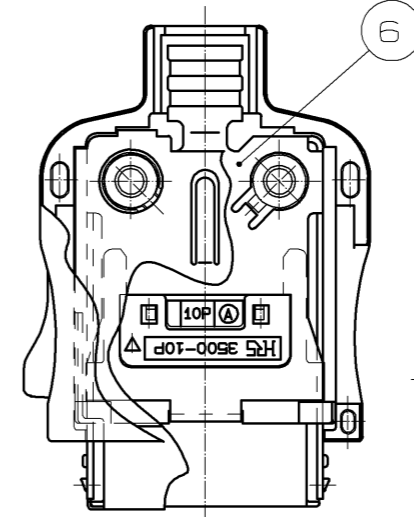


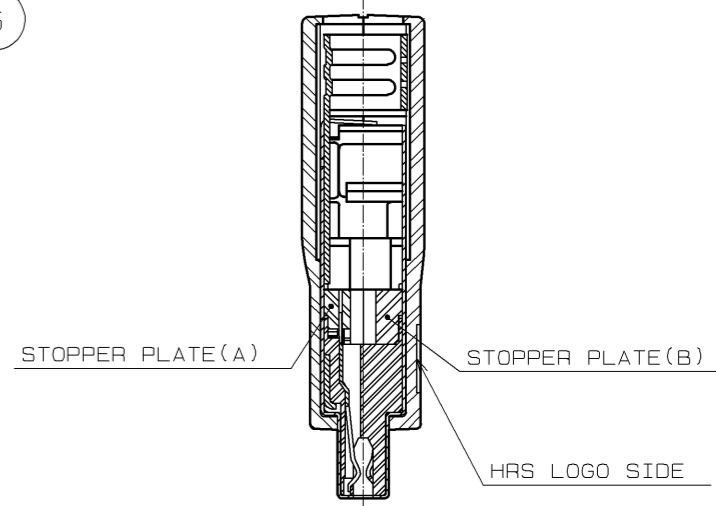
May.1.2019 Copyright 2019 HIROSE ELECTRIC CO., LTD. All Rights Reserved.
In case of consideration for using Automotive equipment / device which demand high reliability, kindly contact our sales window correspondents.



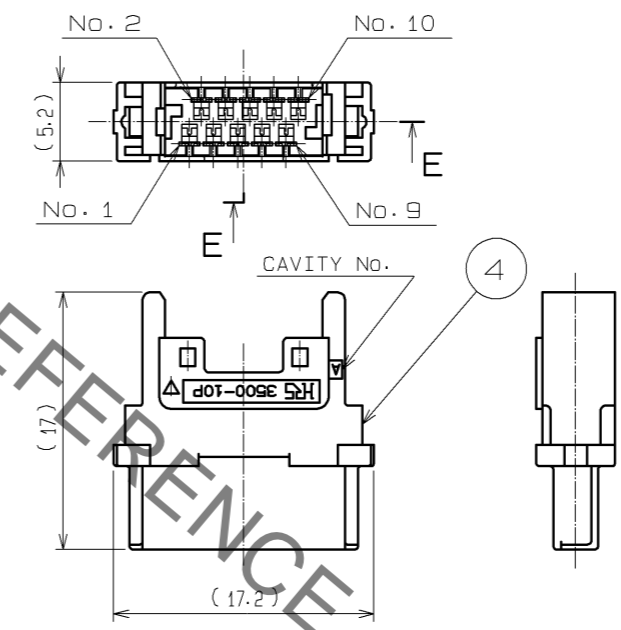
CONSTRUCTION (REFERENCE)



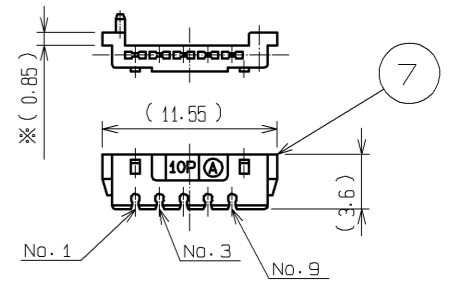
D-D (REFERENCE)



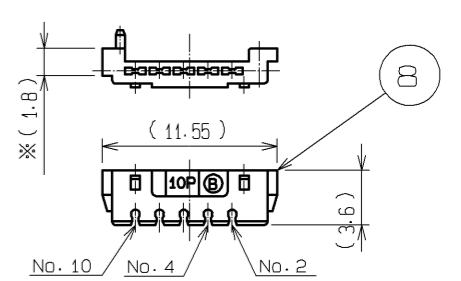
CONNECTOR UNIT



STOPPER PLATE (A) (※0.85)



STOPPER PLATE (B) (※1.8)



NOTE. 1 THIS PRODUCT SHALL BE IN DISASSEMBLED CONDITION (EXCEPT CONNECTOR UNIT ③, ④) WHEN DELIVERED.

NO.	MATERIAL	FINISH	REMARKS	NO.	MATERIAL	FINISH	REMARKS
5	STAINLESS STEEL						
4	POLYAMIDE	BLACK	UL94V-0	9	STEEL	BLACK	TAPPING SCREW
3	COPPER ALLOY	SELECTIVE GOLD PLATING	0.2μm	8	PBT	BLACK	UL94V-0
2	POLYCARBONATE	BLACK	UL94V-0	7	PBT	BLACK	UL94V-0
1	POLYCARBONATE	BLACK	UL94V-0	6	STAINLESS STEEL		

UNITS	SCALE	COUNT	DESCRIPTION OF REVISIONS	DESIGNED	CHECKED	DATE
mm	2 : 1	2	DIS-E-004505	TA. ASO	NM. NISHIMATSU	13.02.05

APPROVED	DATE	DRAWING NO.
H.O. MIWA	05.01.05	EDC3-120711-01
CHECKED	DATE	PART NO.
YH. ENAMI	05.01.05	3530A-10P-CV(50)
DESIGNED	DATE	CODE NO.
TU. TANIGUCHI	05.01.05	CL235-0009-5-50
DRAWN	DATE	
TU. TANIGUCHI	05.01.05	

Mouser Electronics

Authorized Distributor

Click to View Pricing, Inventory, Delivery & Lifecycle Information:

[Hirose Electric:](#)

[3530A-10P-CV\(50\)](#)