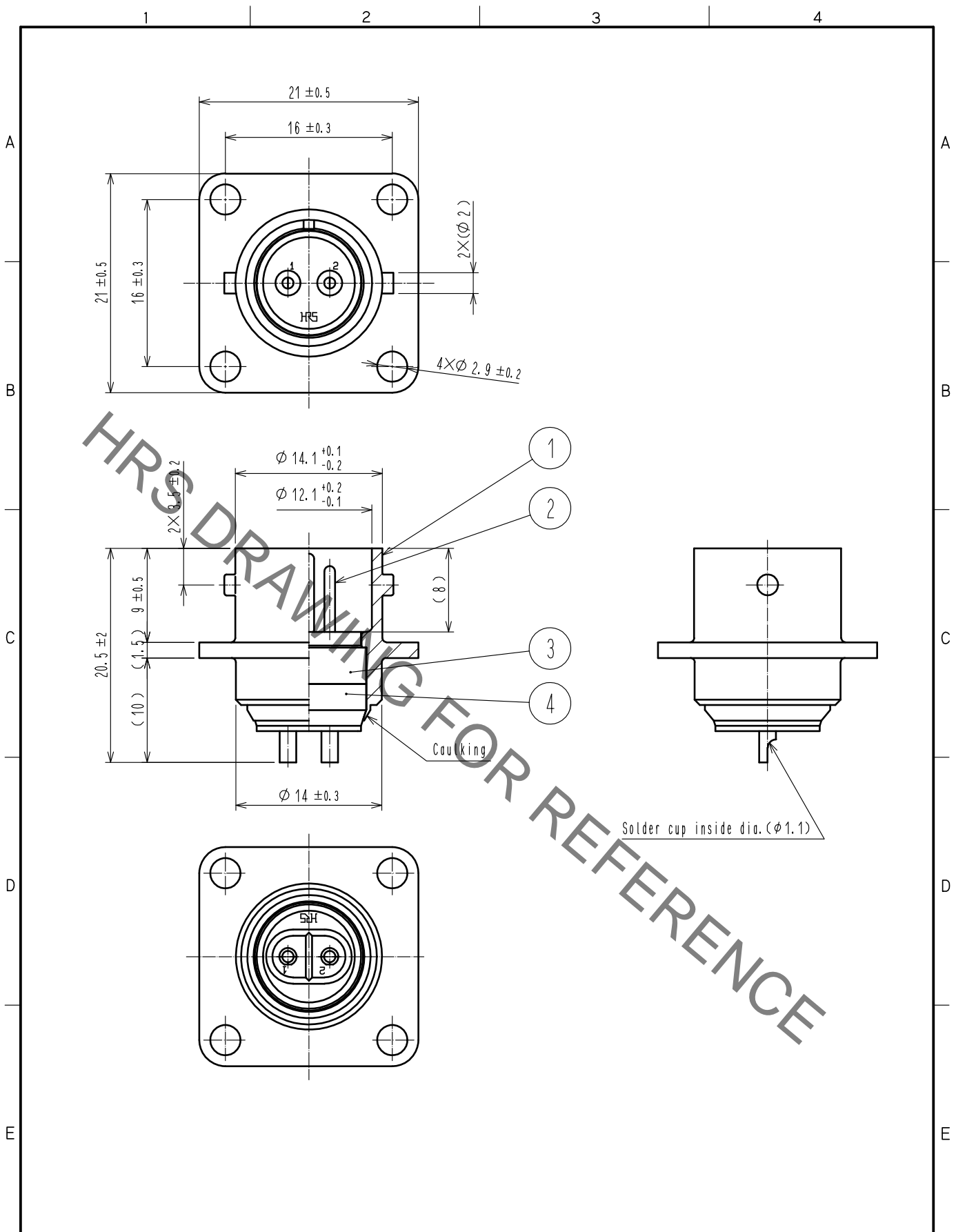


Jun.1.2019 Copyright 2019 HIROSE ELECTRIC CO., LTD. All Rights Reserved.  
 In case of consideration for using Automotive equipment / device which demand high reliability, kindly contact our sales window correspondents.



2	COPPER ALLOY	SILVER PLATING 2μm min.	4	DIALLYL PHTHALATE	(BLACK) UL94V-0
1	ZINC ALLOY	MATTE FINISH NICKEL PLATED	3	DIALLYL PHTHALATE	(BLACK) UL94V-0
NO.	MATERIAL	FINISH . REMARKS	NO.	MATERIAL	FINISH . REMARKS
UNITS mm		SCALE 2 : 1	COUNT 	DESCRIPTION OF REVISIONS	DESIGNED
HIROSE ELECTRIC CO., LTD.	APPROVED	·HY. KOBAYASHI	15. 10. 26	DRAWING NO.	EDC-027518-00-00
	CHECKED	·HY. KOBAYASHI	15. 10. 26	PART NO.	RM12BRB-2PH
	DESIGNED	·HT. ZENBA	15. 10. 26	CODE NO.	CL109-0817-5-00
	DRAWN	·HT. ZENBA	15. 10. 26		
					1/1

# Mouser Electronics

Authorized Distributor

Click to View Pricing, Inventory, Delivery & Lifecycle Information:

[Hirose Electric:](#)

[RM12BRB-2PH](#)