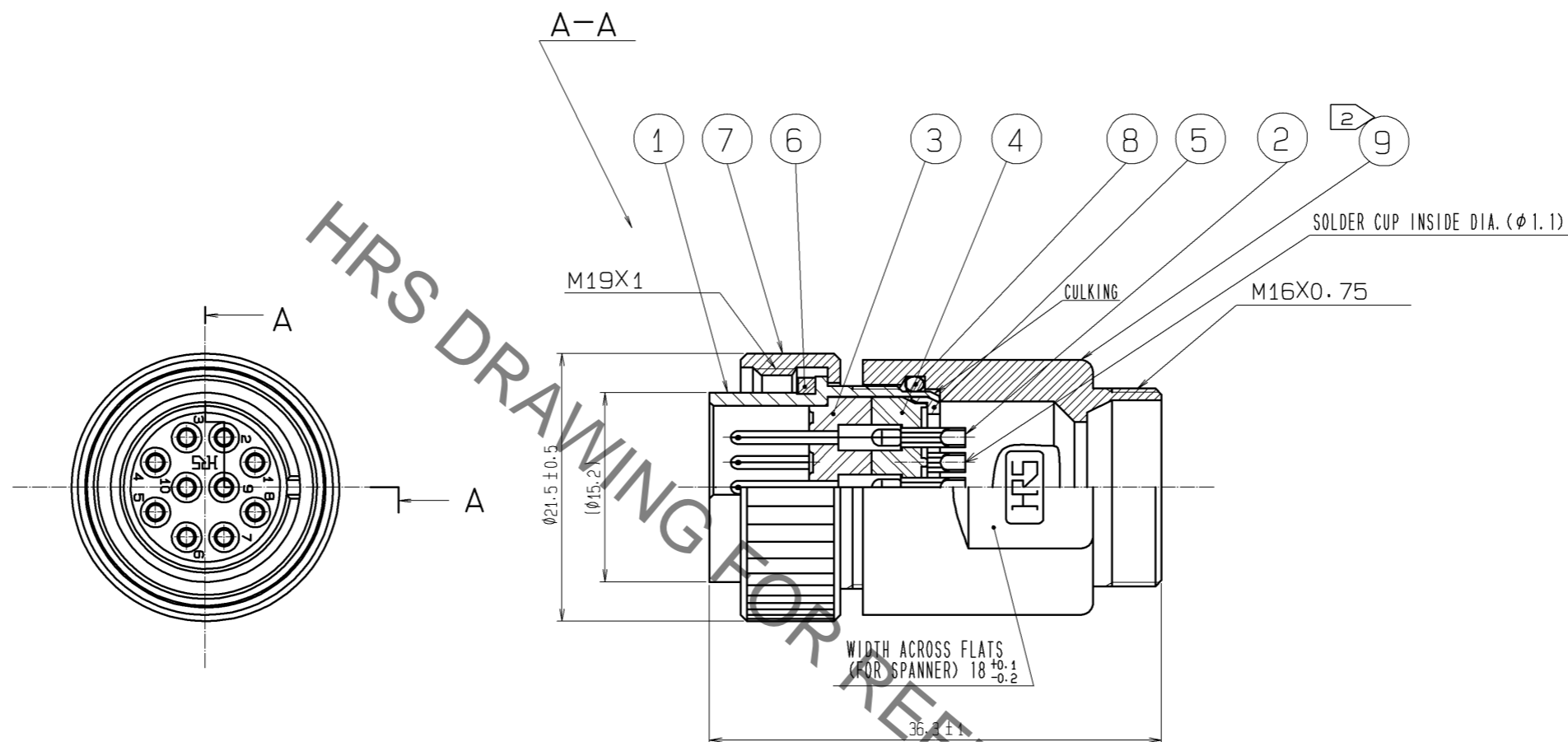


Jun.1.2019 Copyright 2019 HIROSE ELECTRIC CO., LTD. All Rights Reserved.  
 In case of consideration for using Automotive equipment / device which demand high reliability, kindly contact our sales window correspondents.



- NOTES
- 1 ONE EXAMPLE OF THE ROTATION OF REF. NO. ⑨ TO REF. NO. ① IS SHOWN.
  - 2 THE RECOMMENDED CLAMP TORQUE, REF. NO. ⑨ : 3N · m.  
 LOCTITE 242, HENKEL JAPAN OR EQUIVALENT IS RECOMMENDED TO PREVENT REF. NO. ⑨ FOR LOOSENING.
  - 3 THIS PRODUCTS TO BE USED WITH CABLE CLAMP, JR13WCC-※(72).  
 ※ DESIGNATE DIAMETER(mm) OF APPLICABLE CABLE.

NO.	MATERIAL	FINISH . REMARKS	NO.	MATERIAL	FINISH . REMARKS
5	POLYACETAL	(WHITE)			
4	DIALLYL PHTHALATE	(BLACK) UL94V-0	9	ZINC ALLOY	CROMATE PLATING
3	DIALLYL PHTHALATE	(BLACK) UL94V-0	8	SILICONE RUBBER	(BLACK)
2	COPPER ALLOY	SILVER PLATING 2μm min.	7	BRASS	CROMATE PLATING
1	ZINC ALLOY	CROMATE PLATING	6	SILICONE RUBBER	(RED)

UNITS	SCALE	COUNT	DESCRIPTION OF REVISIONS	DESIGNED	CHECKED	DATE
mm	2 : 1	△				
APPROVED : MO. SATOH			07. 04. 20	DRAWING NO. EDC3-111070-71		
CHECKED : EJ. KUNII			07. 04. 20	PART NO. RM15WTPZ-10P(71)		
DESIGNED : TP. KOMATSU			07. 04. 20	CODE NO. CL109-1619-7-71		
DRAWN : MK. SATO			07. 04. 19	△ 1/1		

# Mouser Electronics

Authorized Distributor

Click to View Pricing, Inventory, Delivery & Lifecycle Information:

[Hirose Electric:](#)

[RM15WTPZ-10P\(71\)](#)