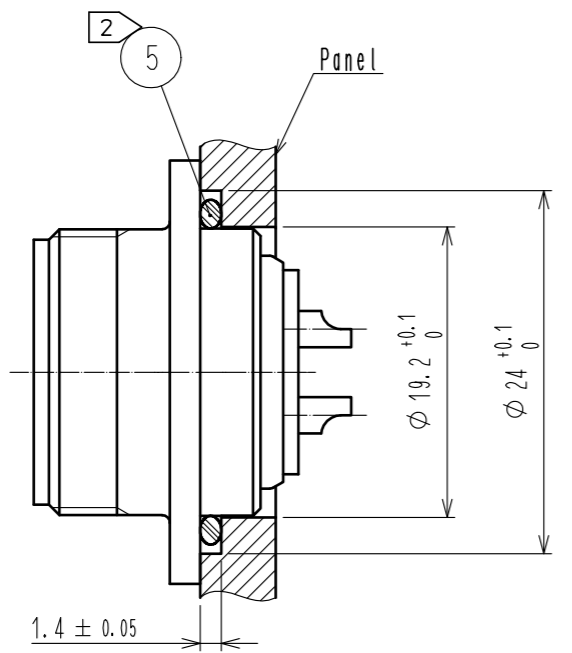


1 Fig.1 Ref.No. 5 panel cutout



- Notes
- 1 When waterproofing with panel, use Ref.No. 5(O-ring). The dimension of attaching Ref.No. 5 to a panel is shown in Fig.1.
 - 2 When mounted on chassis, be careful that Ref.No. 5 is fitted into the indicated groove without any biting.

NO.	MATERIAL	FINISH	REMARKS	NO.	MATERIAL	FINISH	REMARKS
3	Diallyl phthalate	(Black)	UL94V-0				
2	Copper alloy	Silver plating	2μm min.	5	Silicone rubber	(Black)	
1	Zinc alloy	Chrome plating		4	Diallyl phthalate	(Black)	UL94V-0

UNITS	SCALE	COUNT	DESCRIPTION OF REVISIONS	DESIGNED	CHECKED	DATE
mm	2 : 1	1				
APPROVED : YH. YAMADA			16. 04. 05	DRAWING NO. EDC-111093-71-00		
CHECKED : HY. KOBAYASHI			16. 04. 05	PART NO. RM15WTRZB-2P(71)		
DESIGNED : HR. SATO			16. 04. 05	CODE NO. CL109-1671-7-71		
DRAWN : HR. SATO			16. 04. 05	1/1		

Mouser Electronics

Authorized Distributor

Click to View Pricing, Inventory, Delivery & Lifecycle Information:

[Hirose Electric:](#)

[RM15WTRZB-2P\(71\)](#)