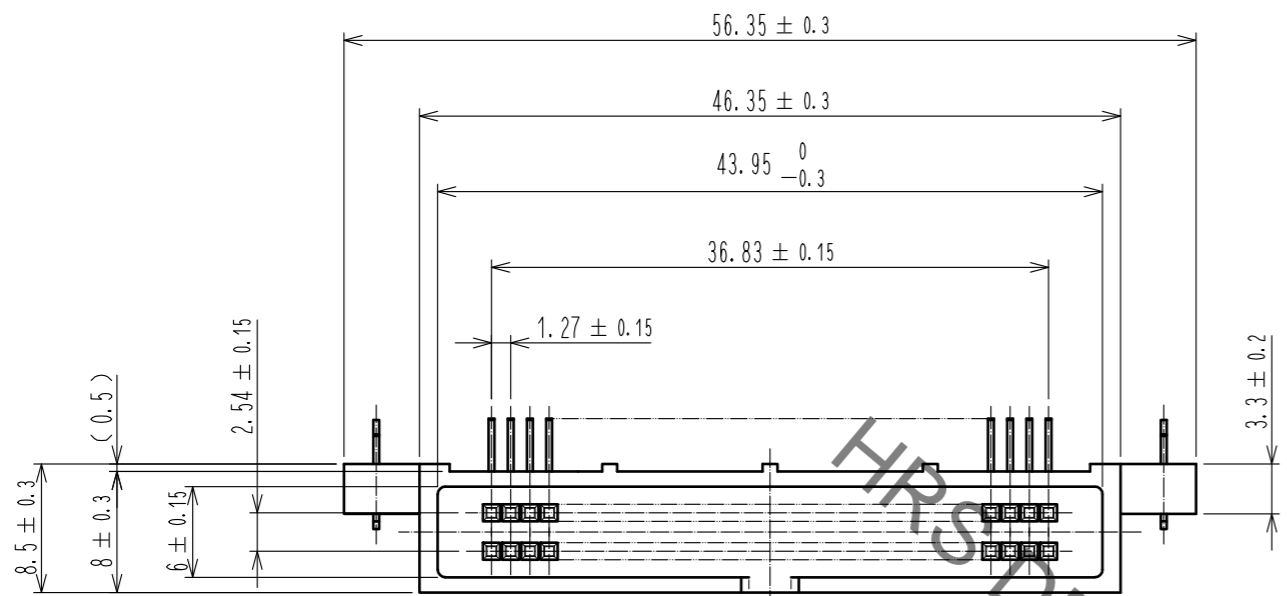
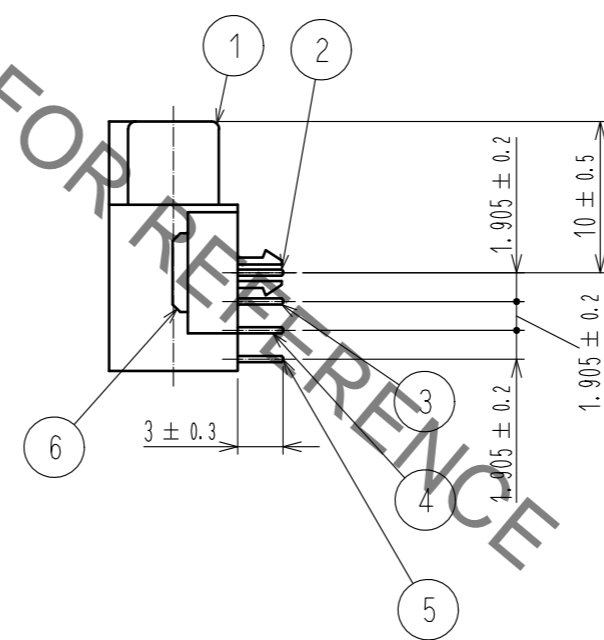
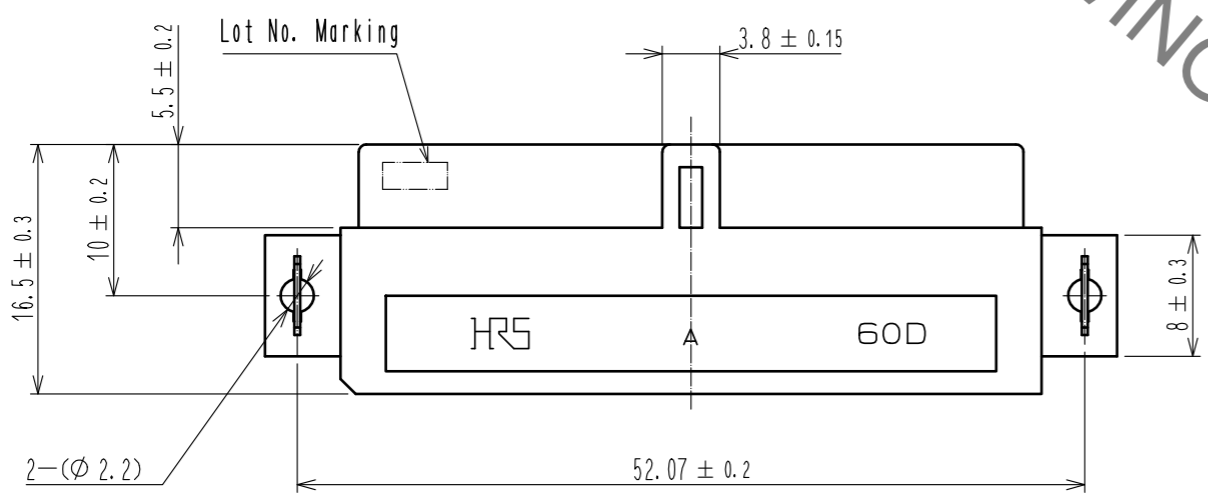
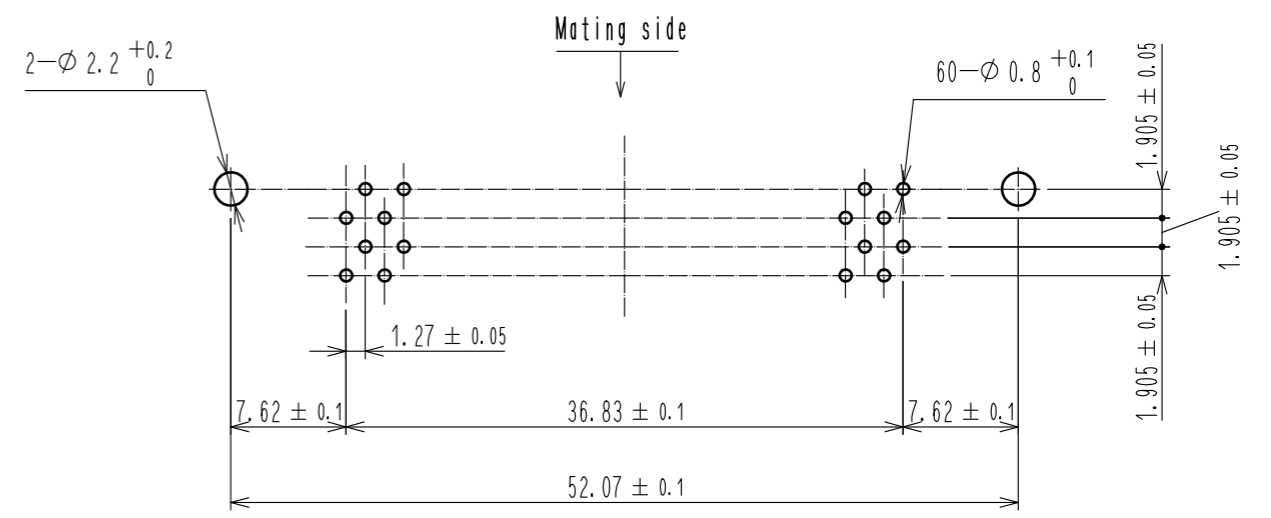


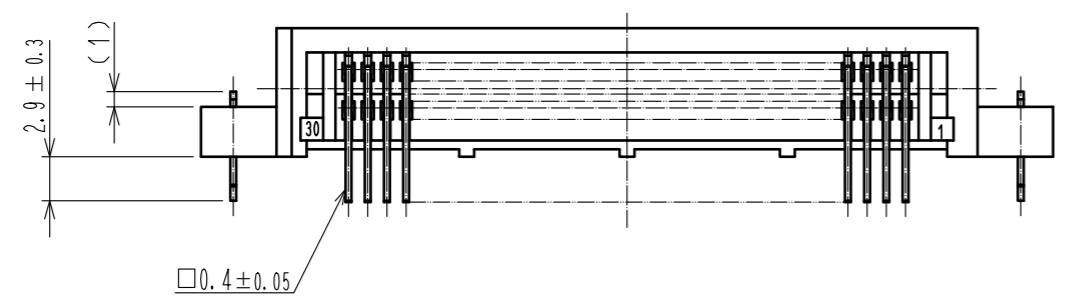
Sep.1.2021 Copyright 2021 HIROSE ELECTRIC CO., LTD. All Rights Reserved.
In case of consideration for using Automotive equipment / device which demand high reliability, kindly contact our sales window correspondents.



Recommended PC board hole pattern (mounting side)



Notes 1 The dimensions in parentheses are for reference.



NO.	MATERIAL	FINISH	REMARKS	NO.	MATERIAL	FINISH	REMARKS
3	PHOSPHOR BRONZE	Contact Area : Gold 0.2μm min. Dip Area : TIN-Plating 2μm min. Under Plating : Nickel 2.5μm min.	6	PHOSPHOR BRONZE	TIN-Plating	Contact Area : Gold 0.2μm min. Dip Area : TIN-Plating 2μm min. Under Plating : Nickel 2.5μm min.	5
2	PHOSPHOR BRONZE	Contact Area : Gold 0.2μm min. Dip Area : TIN-Plating 2μm min. Under Plating : Nickel 2.5μm min.	4	PHOSPHOR BRONZE	Contact Area : Gold 0.2μm min. Dip Area : TIN-Plating 2μm min. Under Plating : Nickel 2.5μm min.		
1	PBT	BLACK	UL94V-0				

UNITS	SCALE	COUNT	DESCRIPTION OF REVISIONS	DESIGNED	CHECKED	DATE
mm	2 : 1	△	APPROVED : HT. YAMAGUCHI 18.06.25			
			CHECKED : HT. YAMAGUCHI 18.06.25			
			DESIGNED : TY. EDAGAWA 18.06.25			
			DRAWN : MK. OKI 18.06.21			

DRAWING NO.	PART NO.	CODE NO.
EDC-019313-71-21	HIF6B-60DA-1.27DSL(71)	CL631-0408-8-71

Mouser Electronics

Authorized Distributor

Click to View Pricing, Inventory, Delivery & Lifecycle Information:

[Hirose Electric:](#)

[HIF6B-60DA-1.27DSL\(71\)](#)