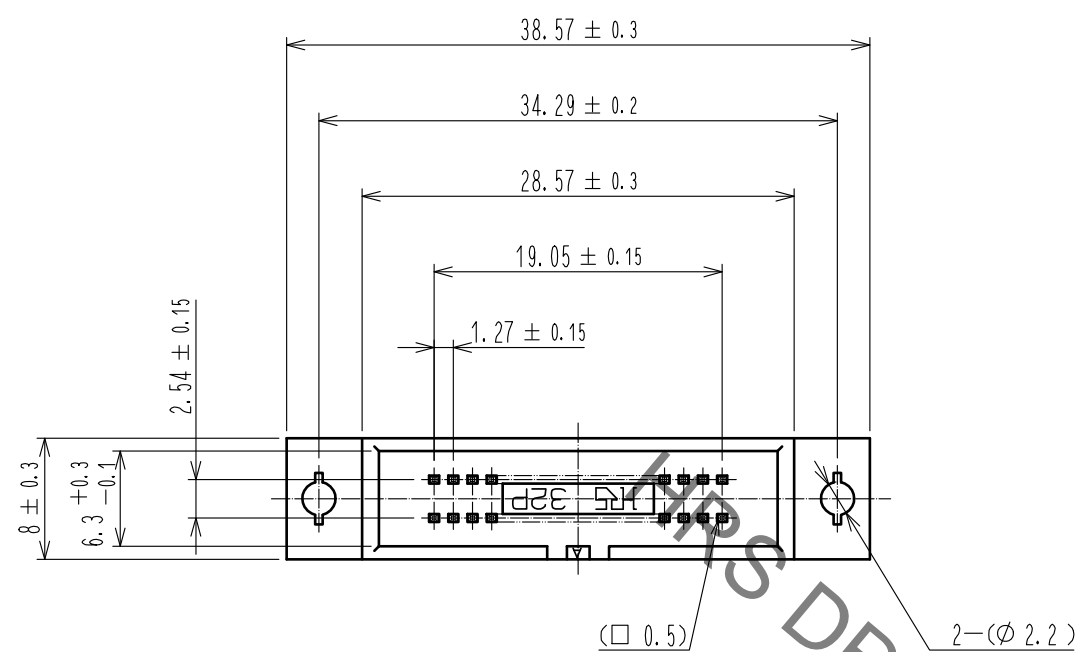
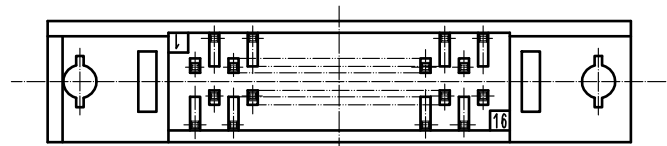
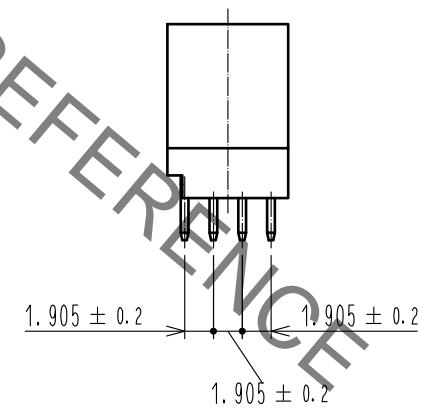
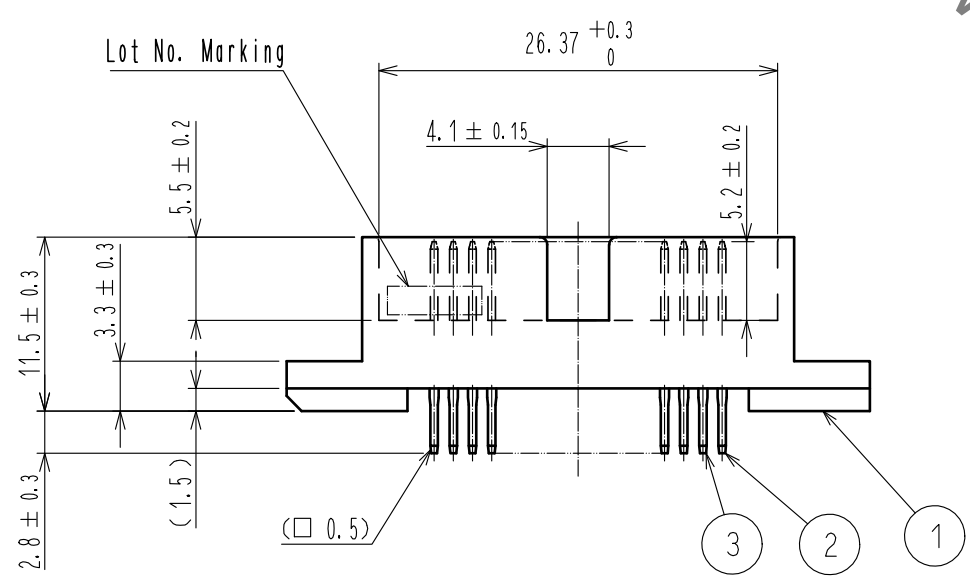
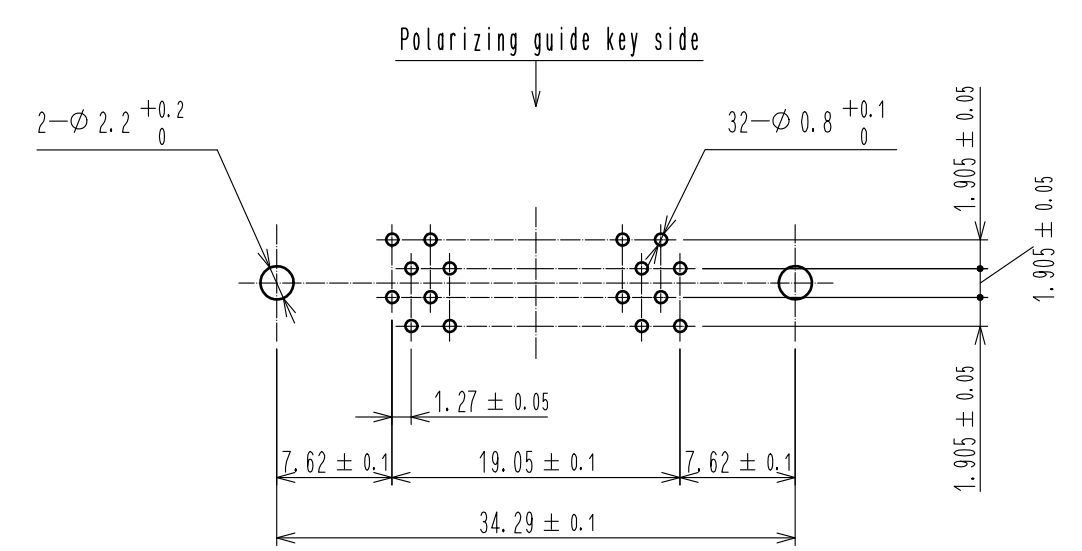


Sep.1.2021 Copyright 2021 HIROSE ELECTRIC CO., LTD. All Rights Reserved.
In case of consideration for using Automotive equipment / device which demand high reliability, kindly contact our sales window correspondents.



△ Recommended PC board hole pattern (mounting side)



Notes 1 The dimensions in parentheses are for reference.

2	BRASS	Contact area : Gold 0.2 μ m min. Dip area : TIN-Plating 2 μ m min. Under plating : Nickel 2.5 μ m min.	3	BRASS	Contact area : Gold 0.2 μ m min. Dip area : TIN-Plating 2 μ m min. Under plating : Nickel 2.5 μ m min.			
1	PBT	BLACK UL94V-0						
NO.	MATERIAL	FINISH . REMARKS	NO.	MATERIAL	FINISH . REMARKS			
UNITS		SCALE	COUNT	DESCRIPTION OF REVISIONS		DESIGNED	CHECKED	DATE
mm		2 : 1	△ 1	DIS-F-00003693		TM. NAKAJIMA	HT. YAMAGUCHI	18.09.11
HRS HIROSE ELECTRIC CO., LTD.		APPROVED : HT. YAMAGUCHI	18.06.25	DRAWING NO. EDC-019075-71-21				
		CHECKED : HT. YAMAGUCHI	18.06.25	PART NO. HIF6B-32PA-1.27DSA(71)				
		DESIGNED : TY. EDAGAWA	18.06.25	CODE NO. CL631-0353-8-71				
		DRAWN : MK. OOKI	18.06.21					

Mouser Electronics

Authorized Distributor

Click to View Pricing, Inventory, Delivery & Lifecycle Information:

[Hirose Electric:](#)

[HIF6B-32PA-1.27DSA\(71\)](#)