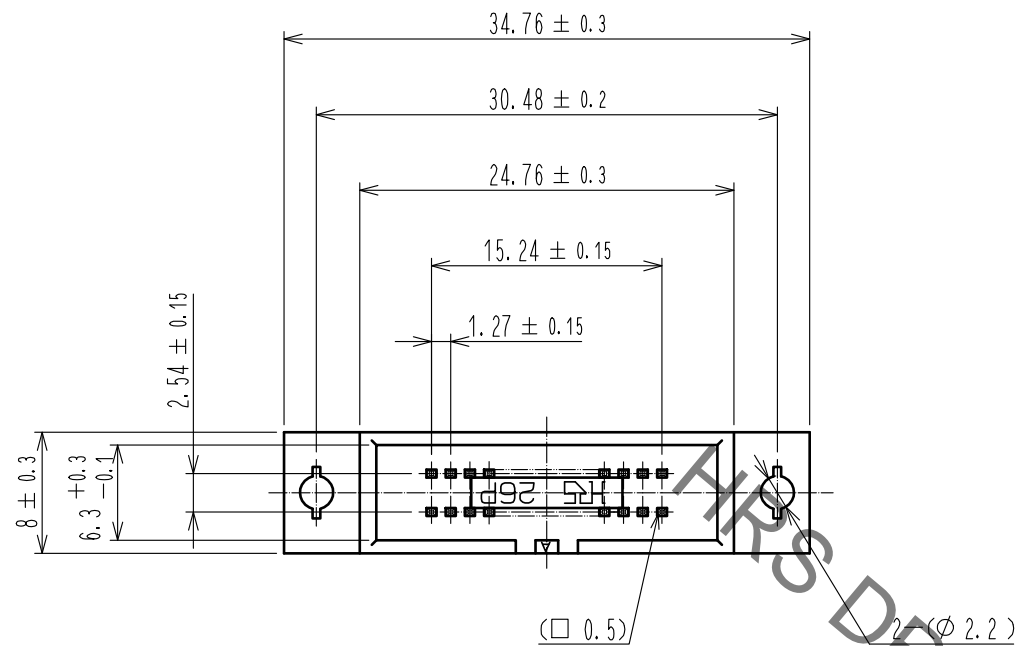
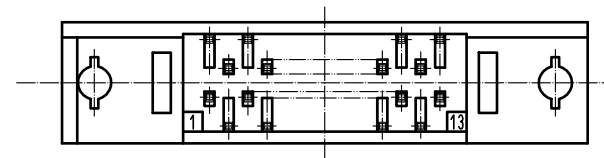
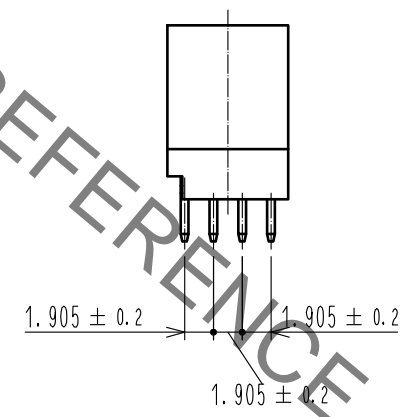
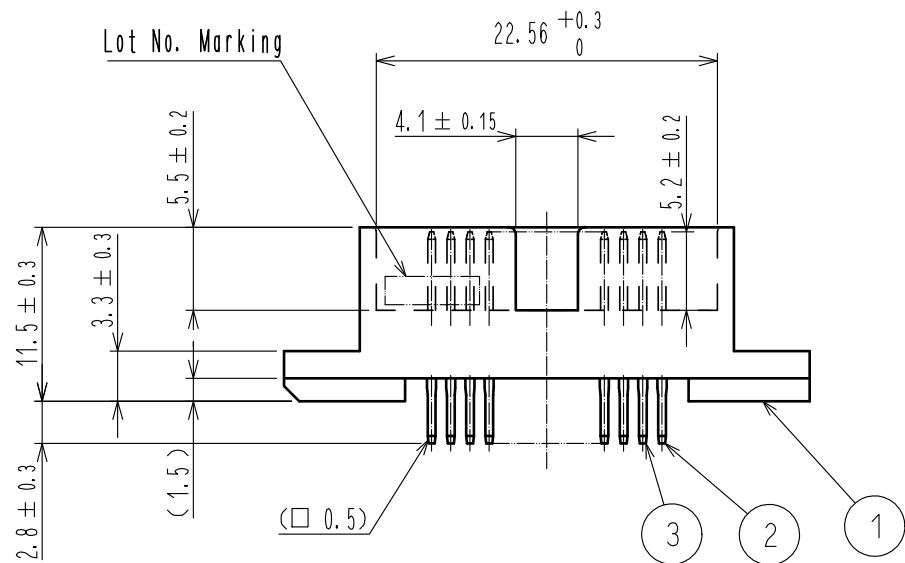
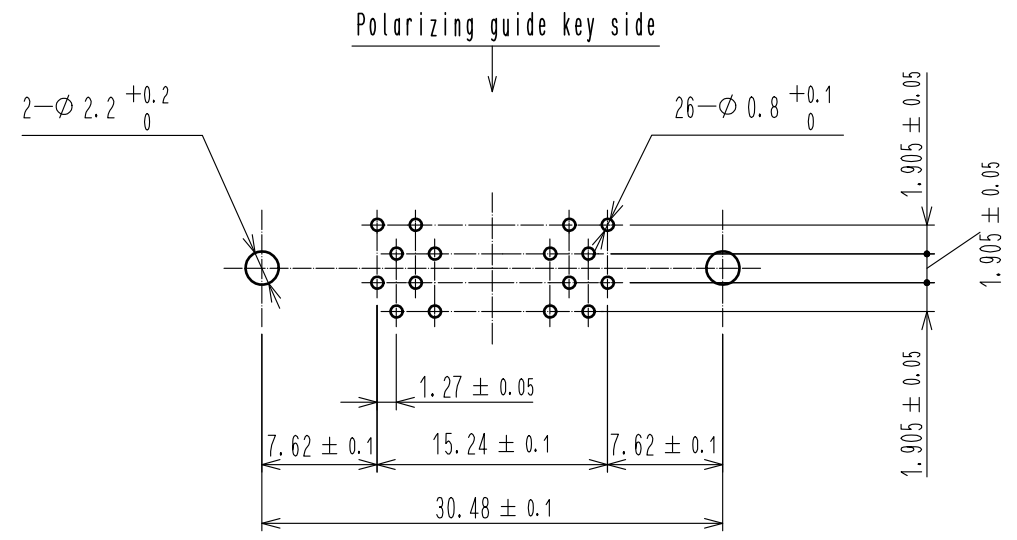


Sep.1.2021 Copyright 2021 HIROSE ELECTRIC CO., LTD. All Rights Reserved.  
 In case of consideration for using Automotive equipment / device which demand high reliability, kindly contact our sales window correspondents.



△ Recommended PC board hole pattern (mounting side)



Notes 1 The dimensions in parentheses are for reference.

2	BRASS	Contact area : Gold 0.2μm min. Dip area : TIN-Plating 2μm min. Under plating : Nickel 2.5μm min.	3	BRASS	Contact area : Gold 0.2μm min. Dip area : TIN-Plating 2μm min. Under plating : Nickel 2.5μm min.
1	PBT	BLACK UL94V-0			
NO.	MATERIAL	FINISH . REMARKS	NO.	MATERIAL	FINISH . REMARKS
UNITS	mm	SCALE	2 : 1	COUNT	△ 1
DESCRIPTION OF REVISIONS		DESIGNED	TM. NAKAJIMA	CHECKED	HT. YAMAGUCHI
DATE		18.09.11	DATE		
APPROVED : HT. YAMAGUCHI		18.06.25	DRAWING NO. EDC-019074-71-21		
CHECKED : HT. YAMAGUCHI		18.06.25	PART NO. HIF6B-26PA-1.27DSA(71)		
DESIGNED : TY. EDAGAWA		18.06.25	CODE NO. CL631-0352-5-71		
DRAWN : MK. OOKI		18.06.21	△ 1/1		

# Mouser Electronics

Authorized Distributor

Click to View Pricing, Inventory, Delivery & Lifecycle Information:

[Hirose Electric:](#)

[HIF6B-26PA-1.27DSA\(71\)](#)