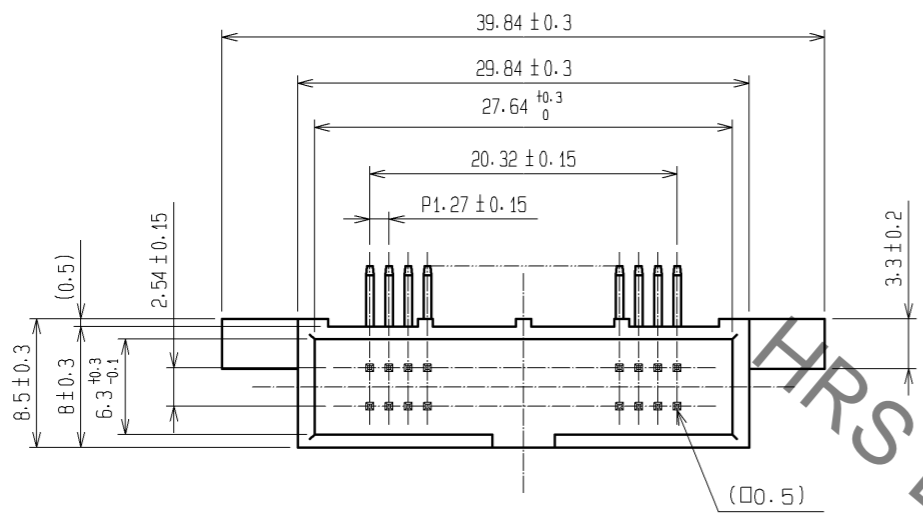
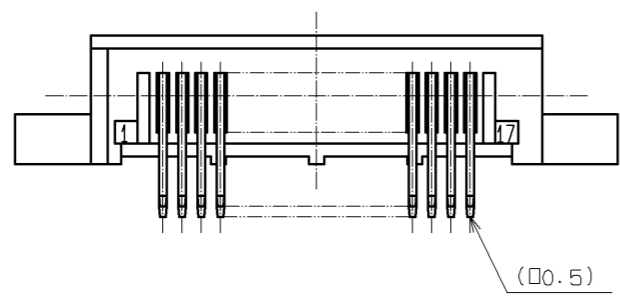
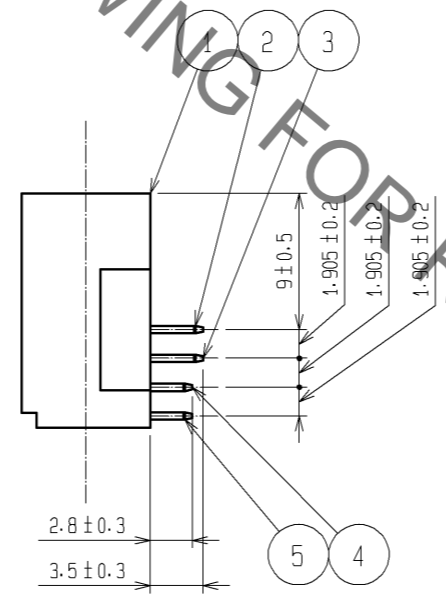
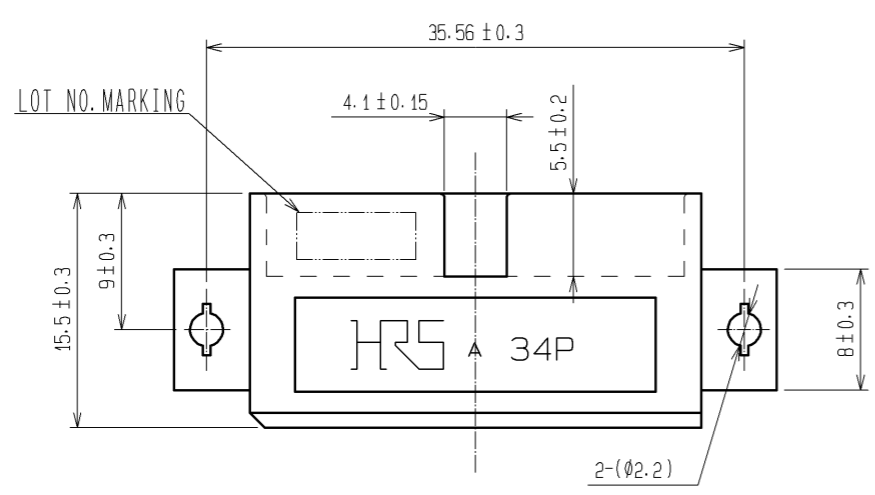
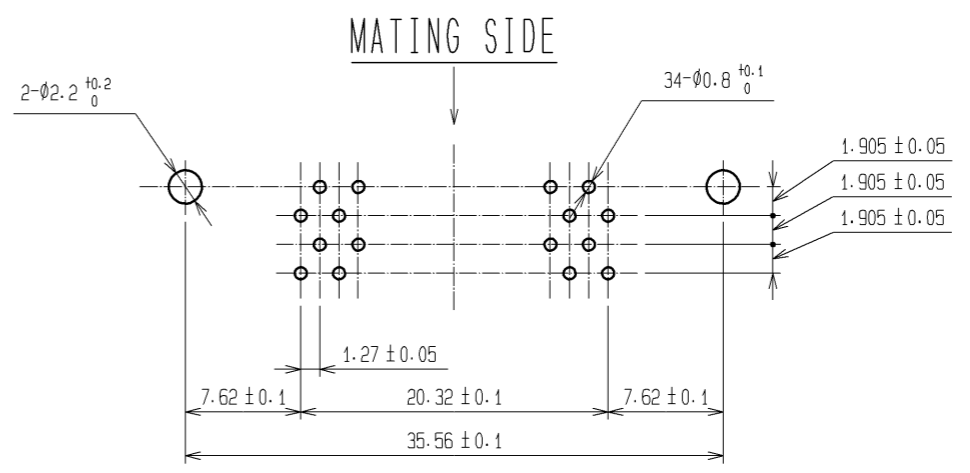


Aug.1.2021 Copyright 2021 HIROSE ELECTRIC CO., LTD. All Rights Reserved.  
In case of consideration for using Automotive equipment / device which demand high reliability, kindly contact our sales window correspondents.



RECOMMENDED PC BOARD HOLE PATTERN  
(MOUNT SIDE)



NOTE 1. THE DIMENSIONS IN PARENTHESES ARE FOR REFERENCE.

1	PBT	BLACK UL94V-0	2~5	BRASS	CONTACT AREA:GOLD 0.2μm min. DIP AREA:TIN-PLATING 2μm min. UNDER PLATING:NICKEL 2.5μm min.		
NO.	MATERIAL	FINISH . REMARKS	NO.	MATERIAL	FINISH . REMARKS		
UNITS mm		SCALE 2 : 1	COUNT △	DESCRIPTION OF REVISIONS	DESIGNED	CHECKED	DATE
<b>HRS</b> HIROSE ELECTRIC CO., LTD.		APPROVED : HS. OKAWA	08. 03. 24	DRAWING NO.	EDC3-019059-21		
		CHECED : HS. OZAWA	08. 03. 24	PART NO.	HIF6B-34PA-1. 27DS(71)		
		DESIGNED : KY. NAKAMURA	08. 03. 24	CODE NO.	CL631-0254-6-71		
		DRAWN : TP. MATSUMOTO	08. 03. 21		△ 1/1		

HRS DRAWING FOR REFERENCE

# Mouser Electronics

Authorized Distributor

Click to View Pricing, Inventory, Delivery & Lifecycle Information:

[Hirose Electric:](#)

[HIF6B-34PA-1.27DS\(71\)](#)