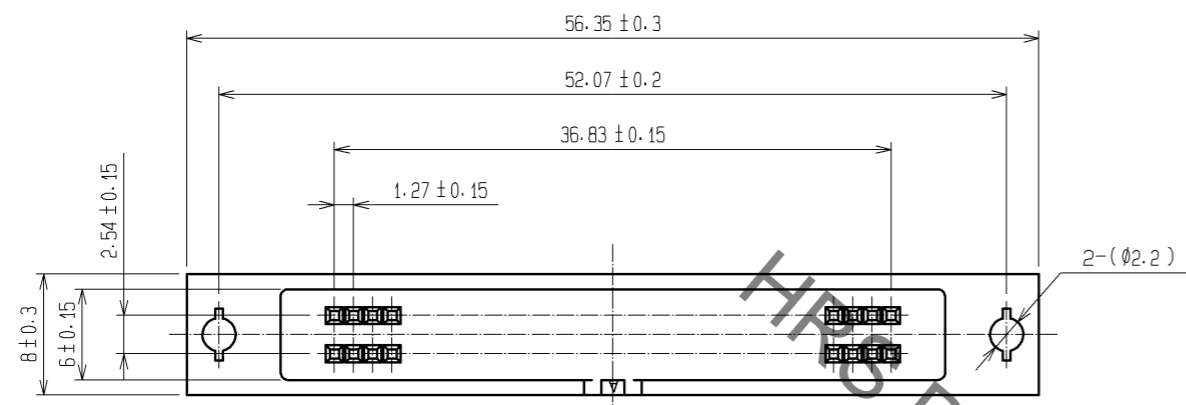
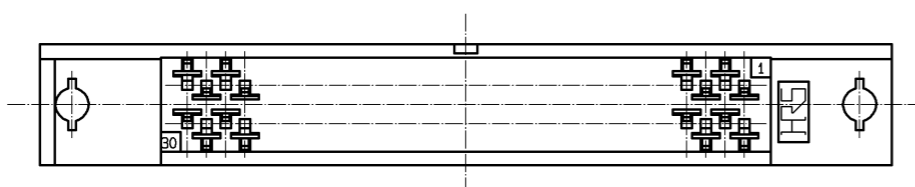
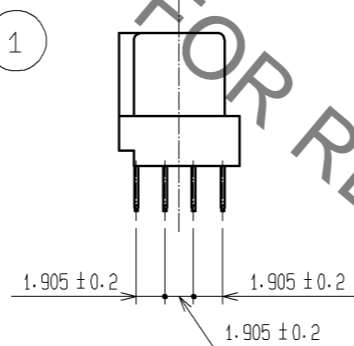
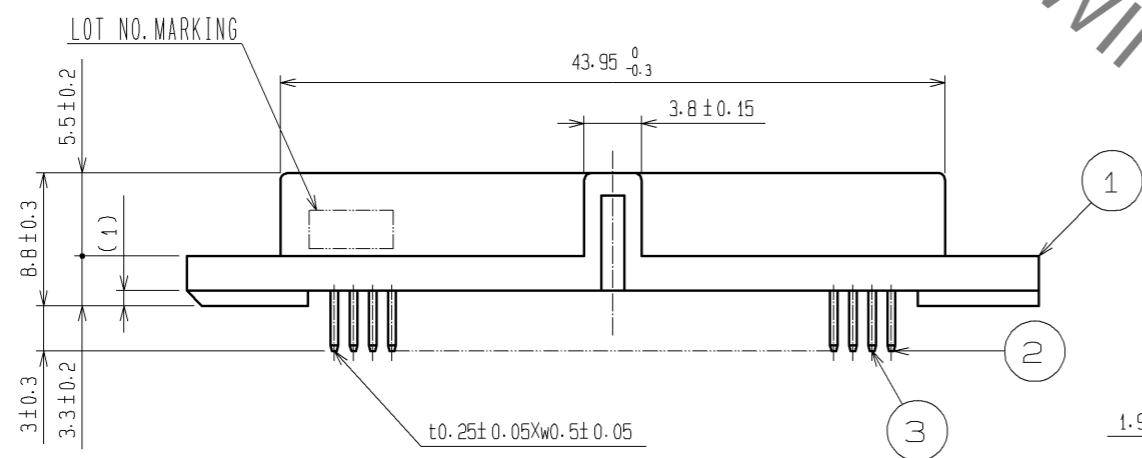
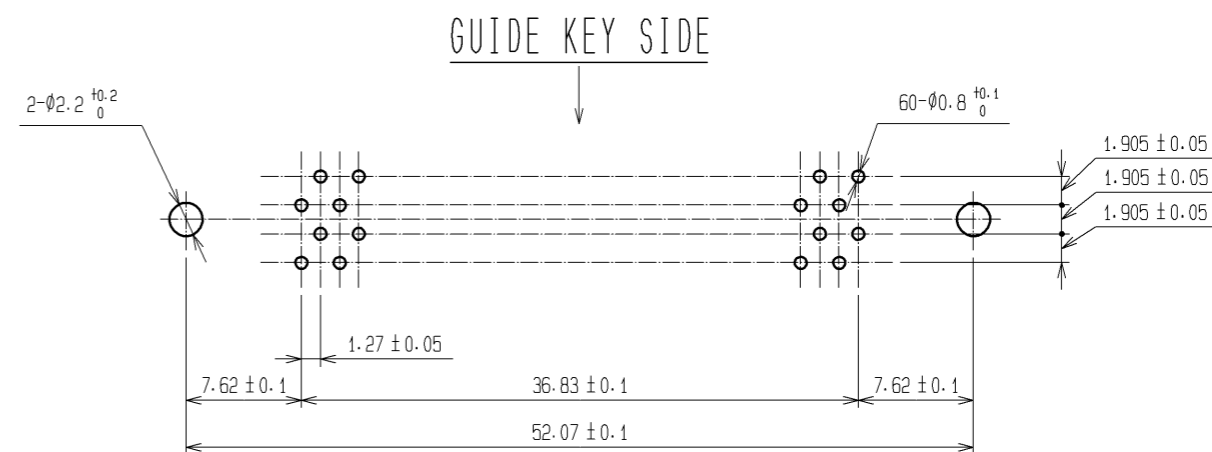


Sep.1.2021 Copyright 2021 HIROSE ELECTRIC CO., LTD. All Rights Reserved.  
 In case of consideration for using Automotive equipment / device which demand high reliability, kindly contact our sales window correspondents.



RECOMMENDED PC BOARD HOLE PATTERN  
(MOUNT SIDE)



NOTE 1. THE DIMENSIONS IN PARENTHESSES ARE FOR REFERENCE.

1	PBT	BLACK UL94V-0	2.3	COPPER ALLOY	CONTACT AREA:GOLD 0.2µm min. DIP AREA:TIN-PLATING 2µm min. UNDER PLATING:NICKEL 2.5µm min.
NO.	MATERIAL	FINISH . REMARKS	NO.	MATERIAL	FINISH . REMARKS
UNITS		SCALE	COUNT	DESCRIPTION OF REVISIONS	DESIGNED
mm		2 : 1			CHECKED
APPROVED : HS. OKAWA 08.03.24				DRAWING NO.	EDC3-019045-21
CHECED : HS. OZAWA 08.03.24				PART NO.	HIF6B-60DA-1. 27DSA(71)
DESIGNED : KY. NAKAMURA 08.03.24				CODE NO.	CL631-0158-2-71
DRAWN : TP. MATSUMOTO 08.03.21					

# Mouser Electronics

Authorized Distributor

Click to View Pricing, Inventory, Delivery & Lifecycle Information:

[Hirose Electric:](#)

[HIF6B-60DA-1.27DSA\(71\)](#)