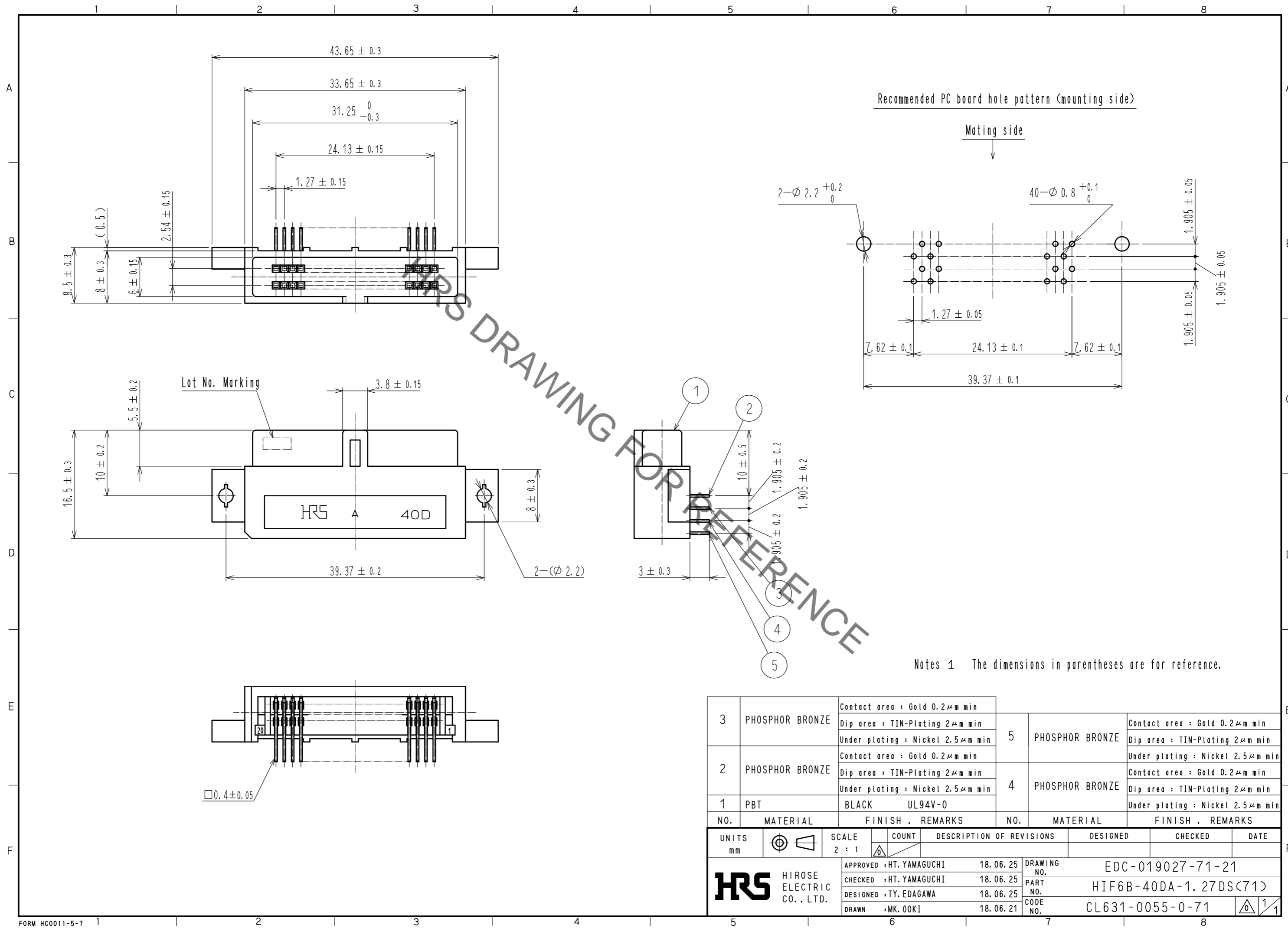


Sep.1.2021 Copyright 2021 HIROSE ELECTRIC CO., LTD. All Rights Reserved.
In case of consideration for using Automotive equipment / device which demand high reliability, kindly contact our sales window correspondents.



Notes 1 The dimensions in parentheses are for reference.

3	PHOSPHOR BRONZE	Contact area : Gold 0.2 μ m min Dip area : TIN-Plating 2 μ m min Under plating : Nickel 2.5 μ m min	5	PHOSPHOR BRONZE	Contact area : Gold 0.2 μ m min Dip area : TIN-Plating 2 μ m min Under plating : Nickel 2.5 μ m min
2	PHOSPHOR BRONZE	Contact area : Gold 0.2 μ m min Dip area : TIN-Plating 2 μ m min Under plating : Nickel 2.5 μ m min	4	PHOSPHOR BRONZE	Contact area : Gold 0.2 μ m min Dip area : TIN-Plating 2 μ m min Under plating : Nickel 2.5 μ m min
1	PBT	BLACK UL94V-0			
NO.	MATERIAL	FINISH . REMARKS	NO.	MATERIAL	FINISH . REMARKS
UNITS mm		SCALE 2 : 1	COUNT	DESCRIPTION OF REVISIONS	
DESIGNED		CHECKED		DATE	
APPROVED : HT. YAMAGUCHI		18.06.25		DRAWING NO. EDC-019027-71-21	
CHECKED : HT. YAMAGUCHI		18.06.25		PART NO. HIF6B-40DA-1.27DS(71)	
DESIGNED : TY. EDAGAWA		18.06.25		CODE NO. CL631-0055-0-71	
DRAWN : MK. OOKI		18.06.21		1/1	

Mouser Electronics

Authorized Distributor

Click to View Pricing, Inventory, Delivery & Lifecycle Information:

[Hirose Electric:](#)

[HIF6B-40DA-1.27DS\(71\)](#)