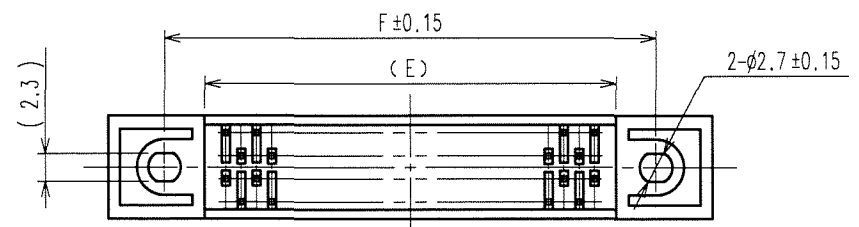
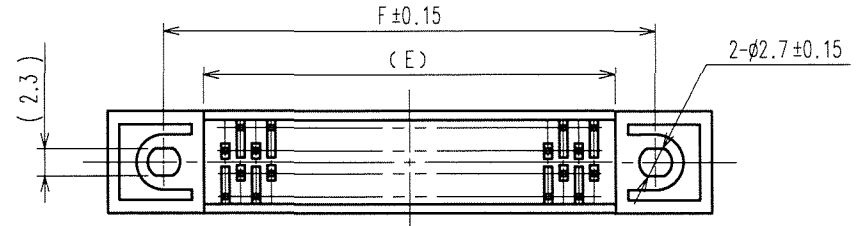
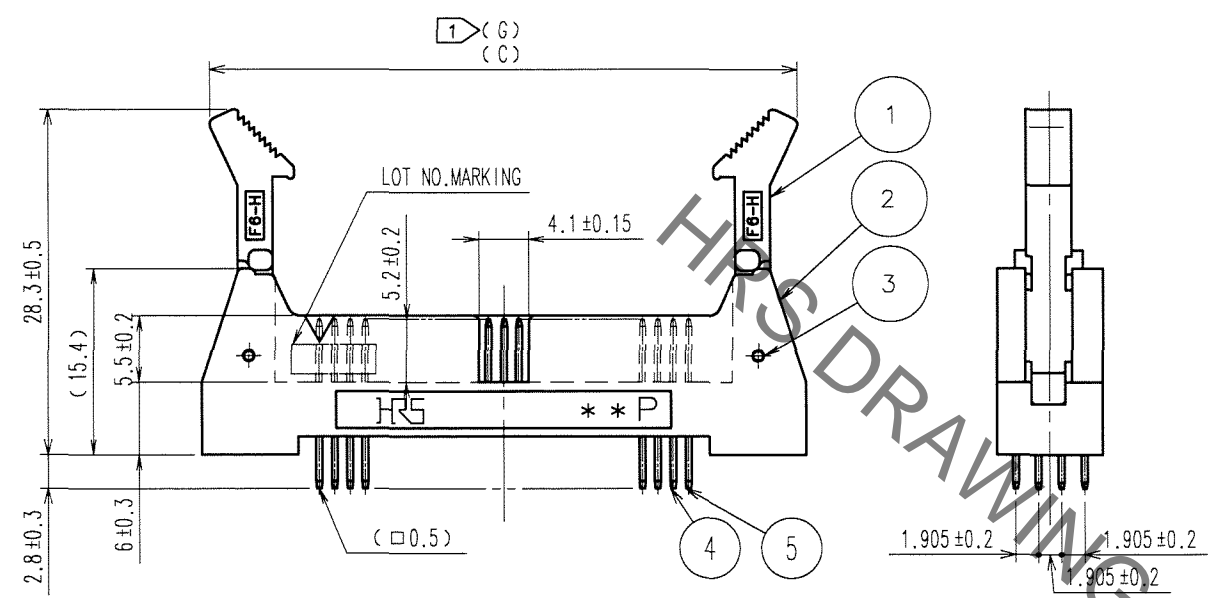
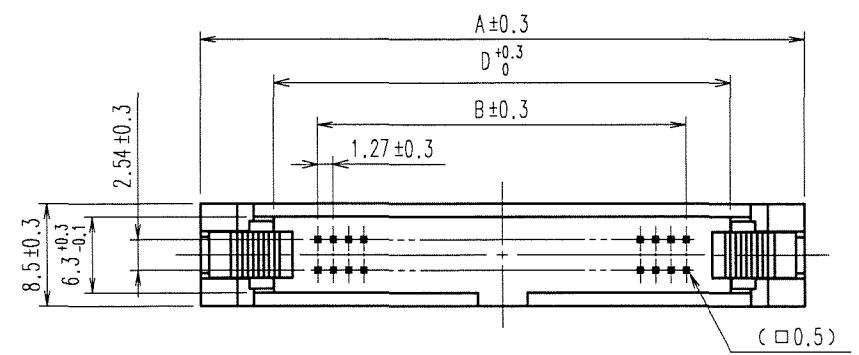
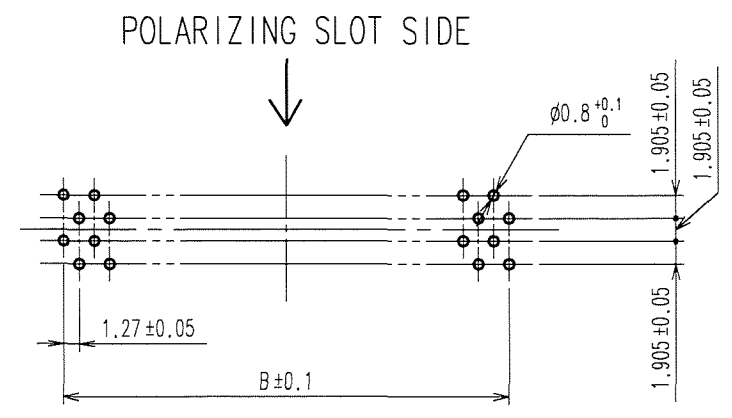


Sep.1.2021 Copyright 2021 HIROSE ELECTRIC CO., LTD. All Rights Reserved.
In case of consideration for using Automotive equipment / device which demand high reliability, kindly contact our sales window correspondents.

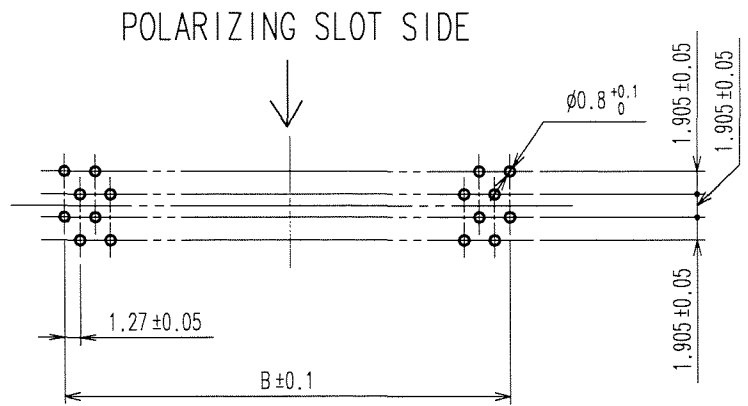


COUNT	DESCRIPTION OF REVISIONS	BY	CHKD	DATE	COUNT	DESCRIPTION OF REVISIONS	BY	CHKD	DATE
△				..	△				..
△				..	△				..
△				..	△				..

RECOMMENDED PC BOARD HOLE PATTERN
(MOUNT SIDE)



(40, 60, 80, 100 CONTACTS)



(34, 50 CONTACTS)

- NOTE
- ① THE UPPER DIMENSION SHOWS WHEN THE LOCK OPEN OUT.
 - ② THE DIMENSIONS IN PARENTHESES ARE FOR REFERENCE.
 - ③ NUMBER OF CONTACTS.

PART No.	CODE No.	③	A	B	C	D	E	F	G
HIF6H-34PA-1.27DSA(71)	CL630-0176-8-71	34	39.84	20.32	38.24	27.64	23.84	30.48	59.64
HIF6H-40PA-1.27DSA(71)	CL630-0171-4-71	40	43.65	24.13	42.05	31.45	27.65	34.29	63.45
HIF6H-50PA-1.27DSA(71)	CL630-0172-7-71	50	50.00	30.48	48.40	37.80	34.00	40.64	69.80
HIF6H-60PA-1.27DSA(71)	CL630-0173-0-71	60	56.35	36.83	54.75	44.15	40.35	46.99	76.15
HIF6H-80PA-1.27DSA(71)	CL630-0174-2-71	80	69.05	49.53	67.45	56.85	53.05	59.69	88.85
HIF6H-100PA-1.27DSA(71)	CL630-0175-5-71	100	81.75	62.23	80.15	69.55	65.75	72.39	101.55

3	STAINLESS STEEL	4, 5	BRASS	CONTACT AREA: GOLD 0.2μm min.	
1, 2	PBT	BLACK UL94V-0		DIP AREA: TIN-PLATING 2μm min.	
NO.	MATERIAL	FINISH, REMARKS	NO.	MATERIAL	FINISH, REMARKS

CODE NO. (OLD) CL	DRAWN A.SUZUKAWA 06.03.31	DESIGNED <i>K. Nakamura</i> 06.04.04	CHECKED <i>K. Ogoawa</i> 06.04.04	APPROVED <i>H. Okawa</i> 06.04.04	RELEASED ..
----------------------	---------------------------------	--	---	---	----------------

SCALE FREE	DRAWING NO. EDC3-154463-21	PART NO. HIF6H-**PA-1.27DSA(71)
UNITS mm	HRS HIROSE ELECTRIC CO., LTD	CODE NO. CL630

TO
PCK

1/1

Mouser Electronics

Authorized Distributor

Click to View Pricing, Inventory, Delivery & Lifecycle Information:

[Hirose Electric:](#)

[HIF6H-80PA-1.27DSA\(71\)](#)