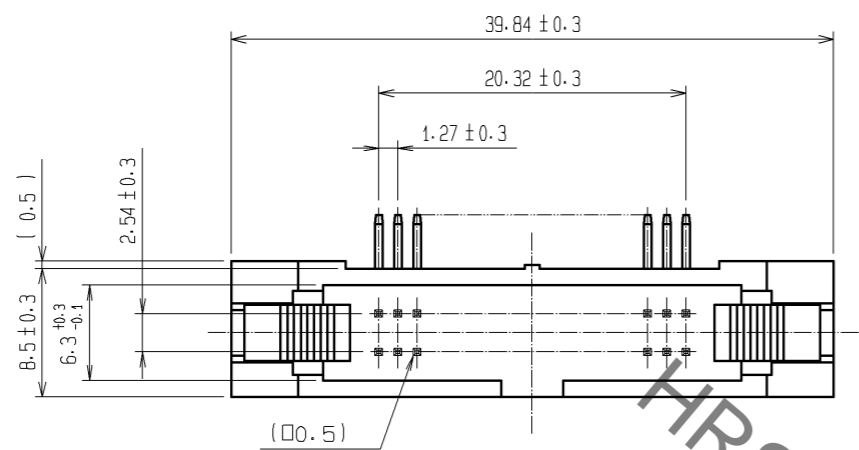
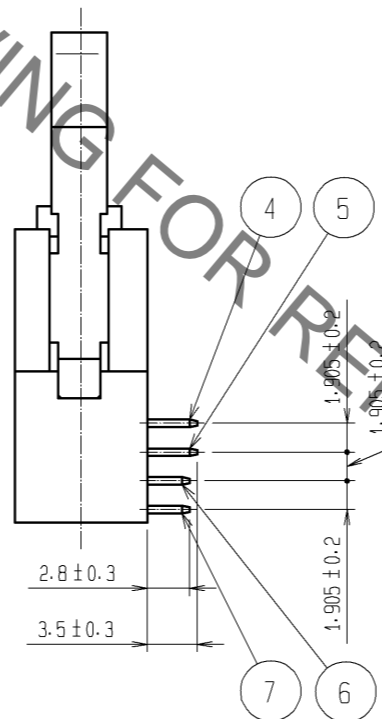
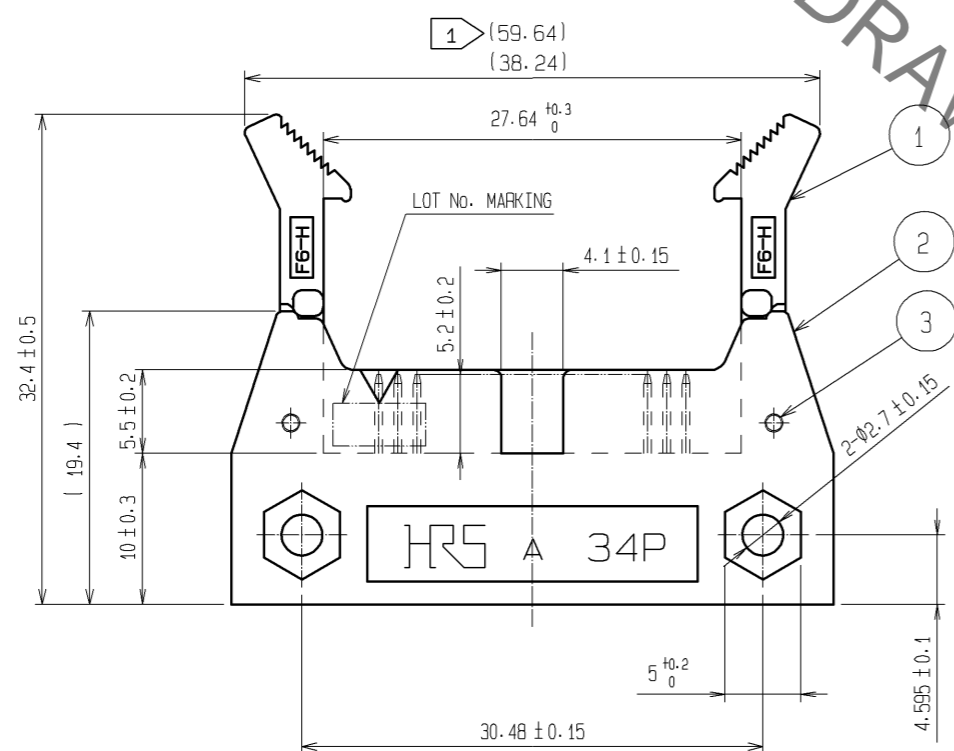
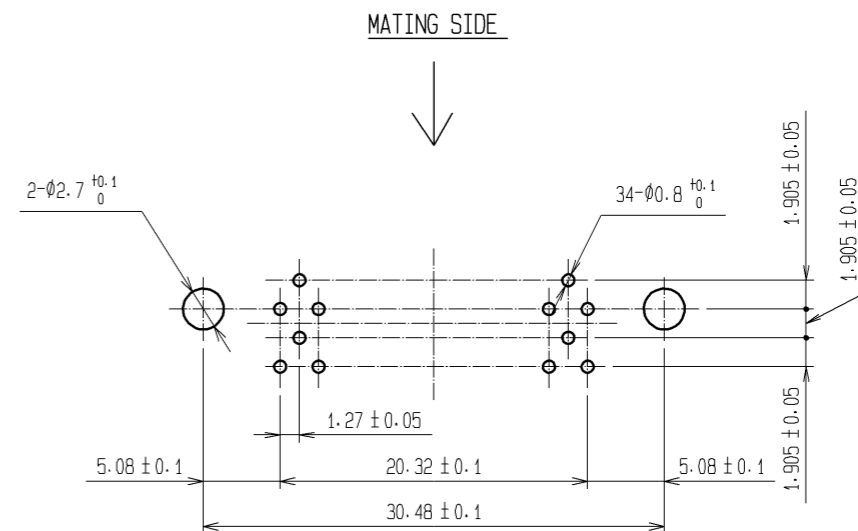


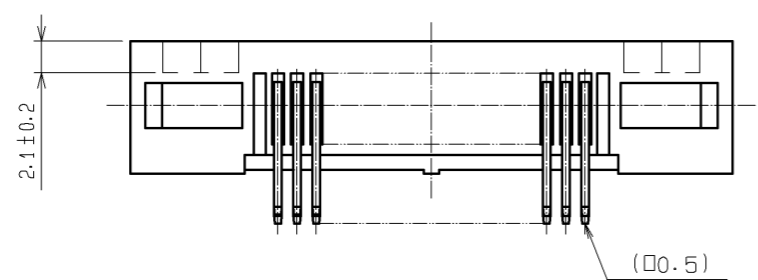
Sep.1.2021 Copyright 2021 HIROSE ELECTRIC CO., LTD. All Rights Reserved.
In case of consideration for using Automotive equipment / device which demand high reliability, kindly contact our sales window correspondents.



RECOMMENDED PC BOARD HOLE PATTERN(MOUNTING SIDE)



NOTE 1 THE UPPER DIMENSION SHOWS WHEN THE LOCK OPEN OUT.
2 THE DIMENSIONS IN PARENTHESES ARE FOR REFERENCE.



3	STAINLESS STEEL				CONTACT AREA:GOLD 0.2 μm min.
1, 2	PBT	BLACK UL94V-0	4~7	BRASS	DIP AREA:TIN-PLATING 2μm min.
					UNDER PLATING:NICKEL 2.5μm min.
NO.	MATERIAL	FINISH, REMARKS	NO.	MATERIAL	FINISH, REMARKS
UNITS	mm	SCALE	2 : 1	COUNT	△
DESCRIPTION OF REVISIONS		DESIGNED	CHECKED	DATE	
APPROVED	: HS. OKAWA	07.07.09	DRAWING NO. EDC3-020377-21		
CHECED	: HS. OZAWA	07.07.09	PART NO. HIF6H-34PA-1.27DS(71)		
DESIGNED	: SY. KAMIGA	07.07.09	CODE NO. CL630-0166-4-71		
DRAWN	: HK. SUNADORI	07.07.09	1/1		

Mouser Electronics

Authorized Distributor

Click to View Pricing, Inventory, Delivery & Lifecycle Information:

[Hirose Electric:](#)

[HIF6H-34PA-1.27DS\(71\)](#)