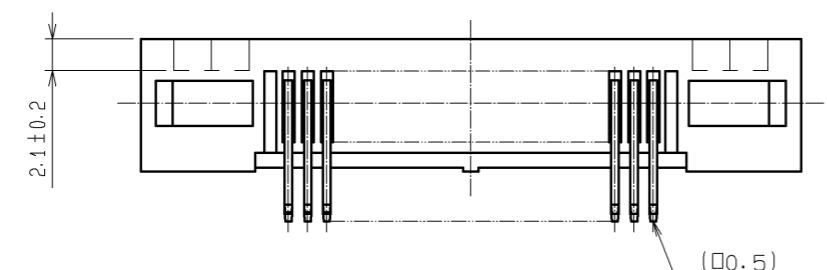
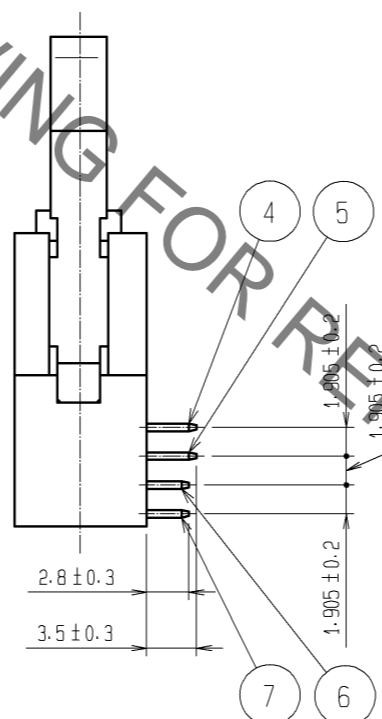
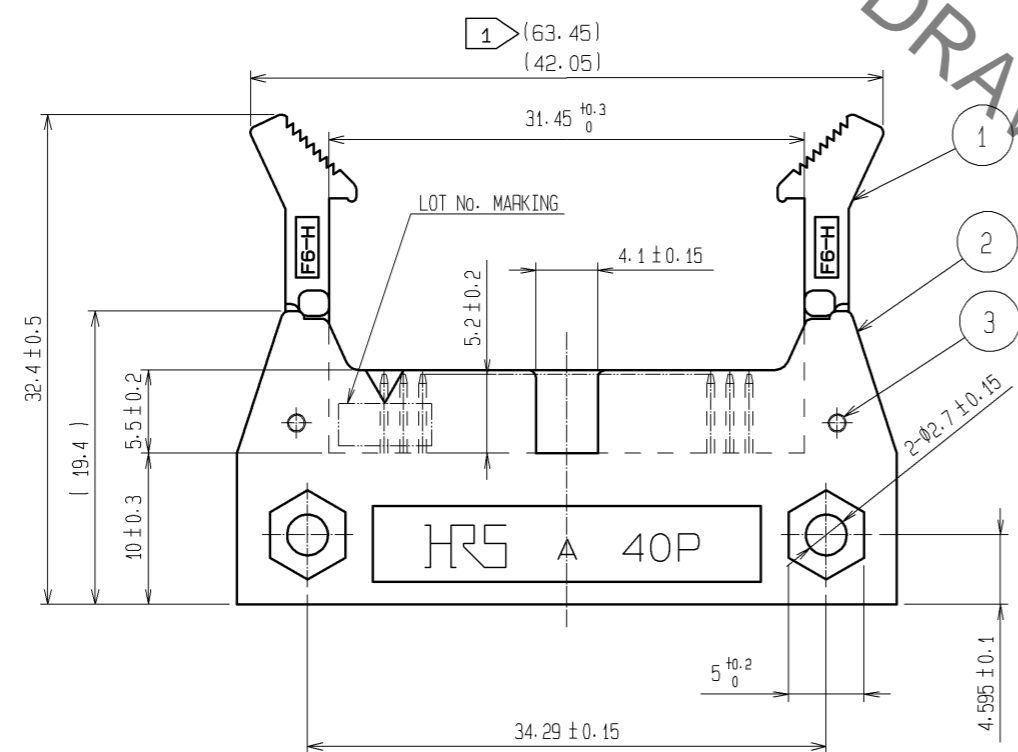
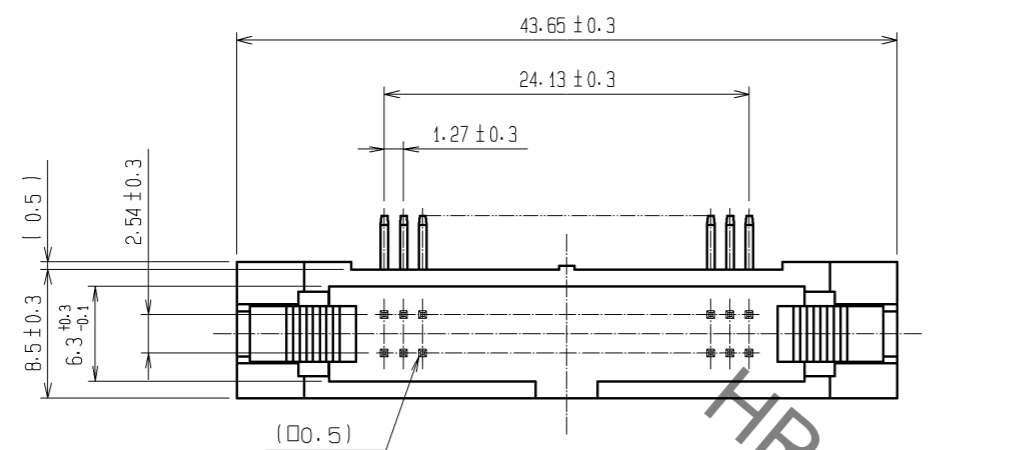
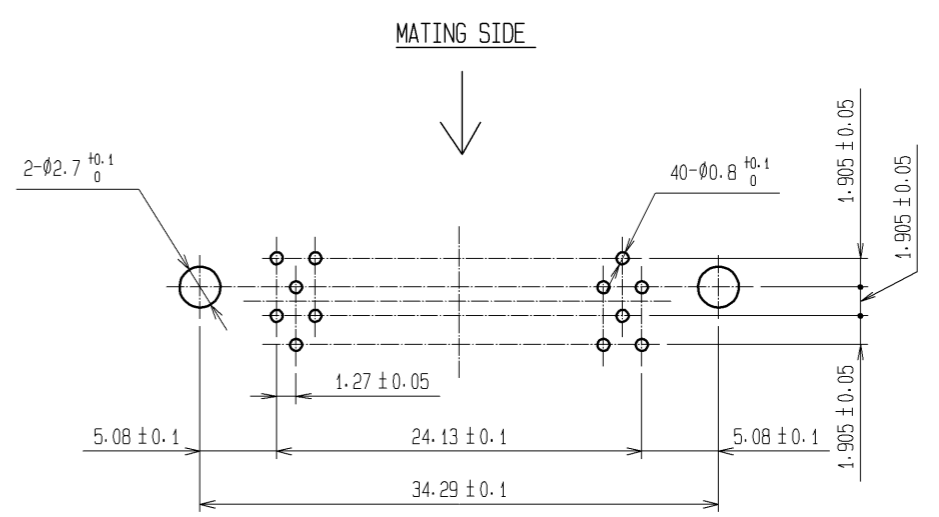


Sep.1.2021 Copyright 2021 HIROSE ELECTRIC CO., LTD. All Rights Reserved.
In case of consideration for using Automotive equipment / device which demand high reliability, kindly contact our sales window correspondents.



RECOMMENDED PC BOARD HOLE PATTERN(MOUNTING SIDE)



NOTE 1 THE UPPER DIMENSION SHOWS WHEN THE LOCK OPEN OUT.
2 THE DIMENSIONS IN PARENTHESES ARE FOR REFERENCE.

3	STAINLESS STEEL			4~7	BRASS	CONTACT AREA:GOLD 0.2 μm min.		
1,2	PBT	BLACK UL94V-0				DIP AREA:TIN-PLATING 2μm min.		
						UNDER PLATING:NICKEL 2.5μm min.		
NO.	MATERIAL	FINISH, REMARKS	NO.	MATERIAL	FINISH, REMARKS			
UNITS	mm	SCALE	2 : 1	COUNT	DESCRIPTION OF REVISIONS	DESIGNED	CHECKED	DATE
HRS HIROSE ELECTRIC CO., LTD.		APPROVED : HS. OKAWA	07.07.05	DRAWING NO. EDC3-020124-21				
		CHECED : HS. OZAWA	07.07.04	PART NO. HIF6H-40PA-1.27DS(71)				
		DESIGNED : SY. KAMIGA	07.07.04	CODE NO. CL630-0161-0-71				
		DRAWN : HK. SUNADORI	07.07.04					

Mouser Electronics

Authorized Distributor

Click to View Pricing, Inventory, Delivery & Lifecycle Information:

[Hirose Electric:](#)

[HIF6H-40PA-1.27DS\(71\)](#)