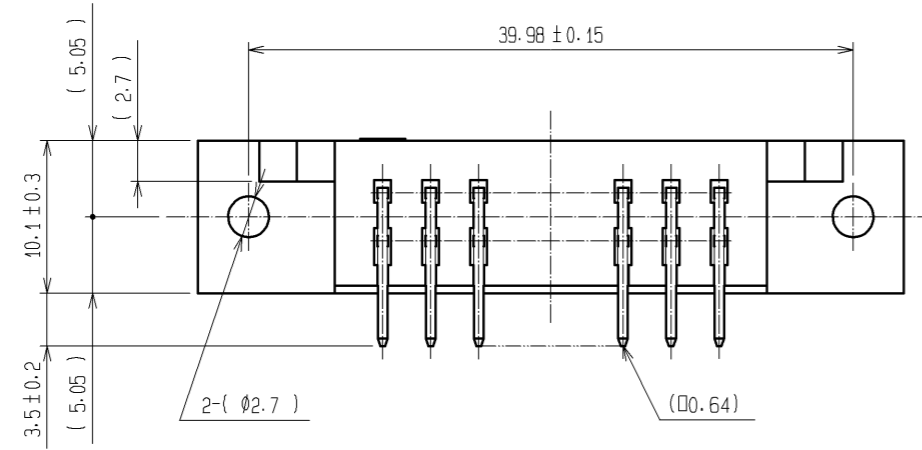
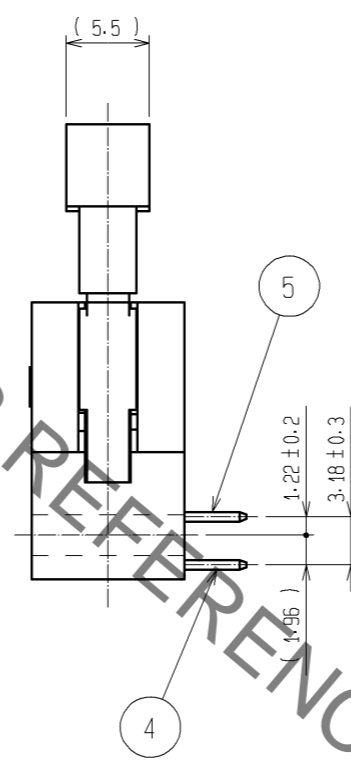
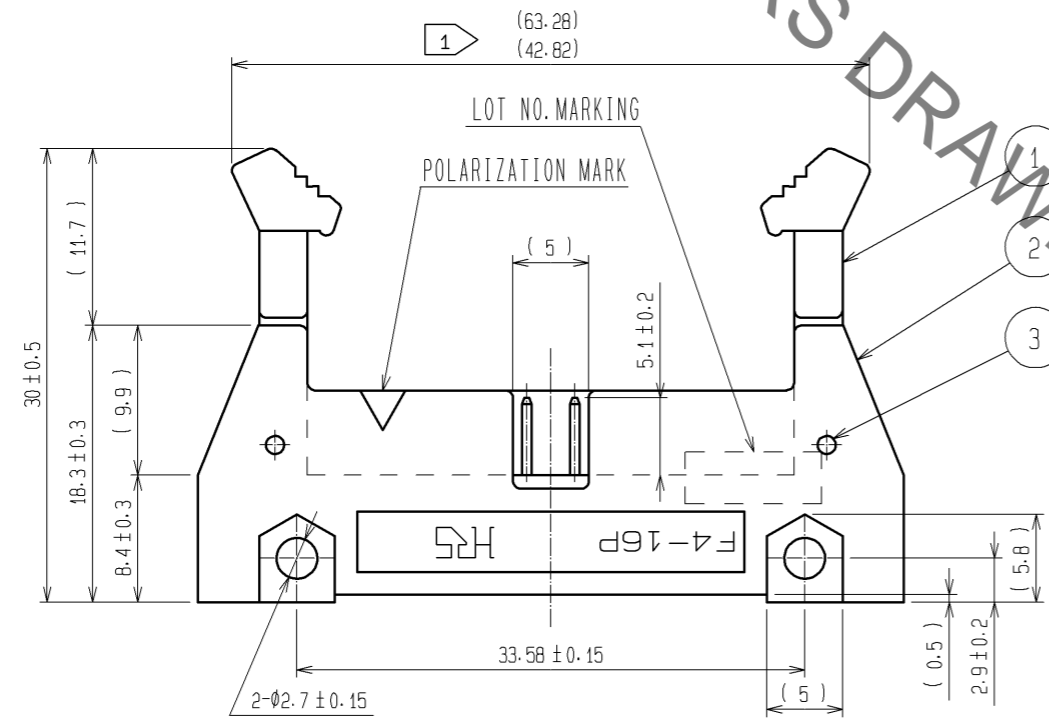
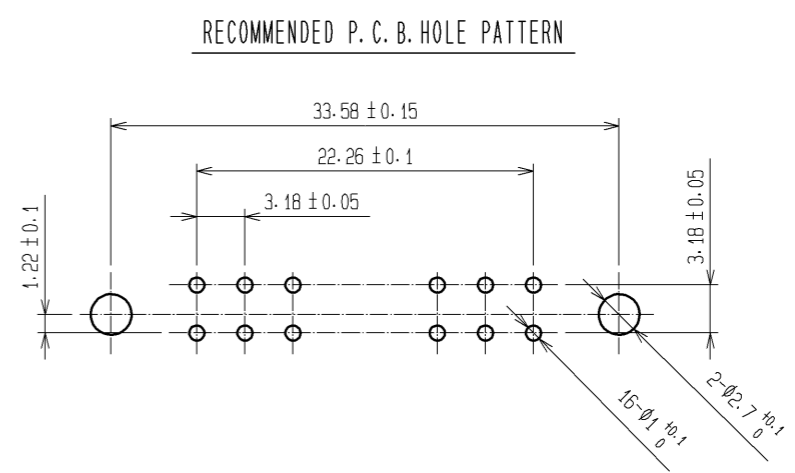
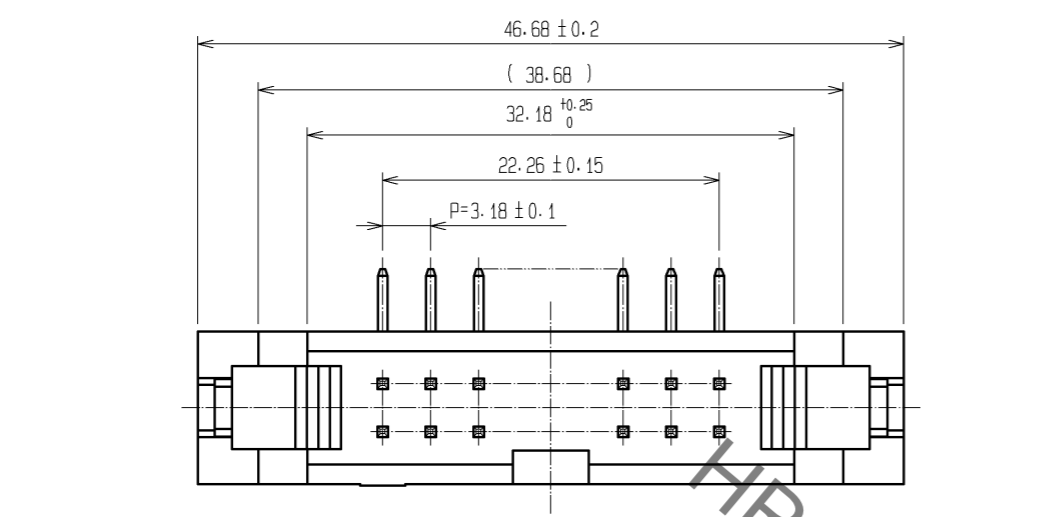


Sep.1.2021 Copyright 2021 HIROSE ELECTRIC CO., LTD. All Rights Reserved.
 In case of consideration for using Automotive equipment / device which demand high reliability, kindly contact our sales window correspondents.



NOTE 1 THE UPPER ROW DIMENTION SHOWS WHEN THE LOCK OPEN OUT.
 2 THE DIMENTION IN PARENTHESES ARE FOR REFERENCE.

3	STAINLESS STEEL		4, 5	PHOSPHOR BRONZE	SURFACE:GOLD 0.2μm min.		
1, 2	PBT	BLACK UL94V-0			UNDER PLATING:NICKEL 3μm min.		
NO.	MATERIAL	FINISH . REMARKS	NO.	MATERIAL	FINISH . REMARKS		
UNITS mm		SCALE 2 : 1	COUNT 	DESCRIPTION OF REVISIONS	DESIGNED	CHECKED	DATE
HRS HIROSE ELECTRIC CO., LTD.		APPROVED : HS. OKAWA	13.01.24	DRAWING NO.	EDC3-016807-00		
		CHECKED : HT. YAMAGUCHI	13.01.24	PART NO.	HIF4-16P-3.18DS		
		DESIGNED : KJ. NISHIWAKI	13.01.24	CODE NO.	CL563-0026-8-00		
		DRAWN : CR. TAKESHIMA	13.01.24		1		

Mouser Electronics

Authorized Distributor

Click to View Pricing, Inventory, Delivery & Lifecycle Information:

[Hirose Electric:](#)

[HIF4-16P-3.18DS](#)