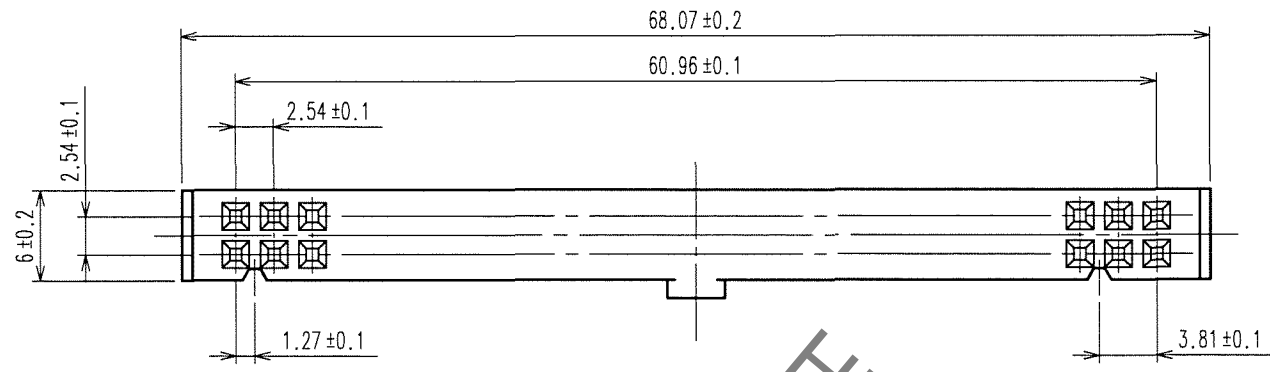
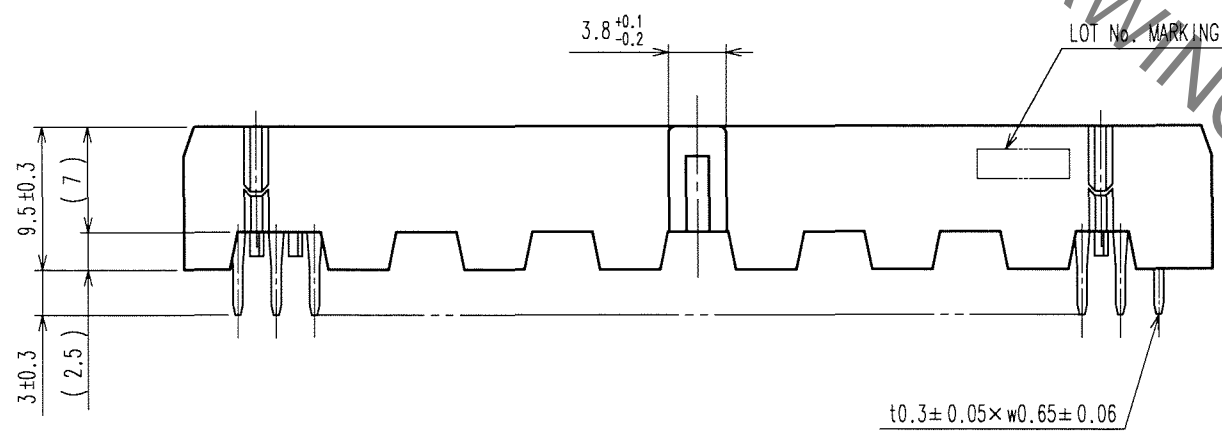
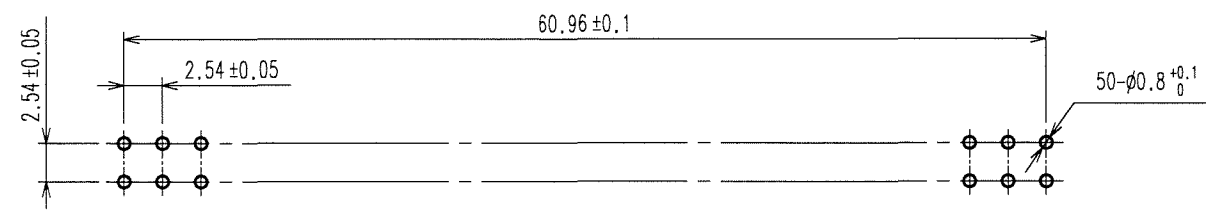


Jan.1.2022 Copyright 2022 HIROSE ELECTRIC CO., LTD. All Rights Reserved.
 In case of consideration for using Automotive equipment / device which demand high reliability, kindly contact our sales window correspondents.

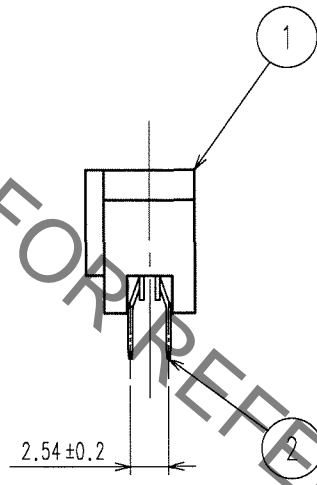
COUNT	DESCRIPTION OF REVISIONS	BY	CHKD	DATE	COUNT	DESCRIPTION OF REVISIONS	BY	CHKD	DATE
△				. .	△				. .
△				. .	△				. .
△				. .	△				. .



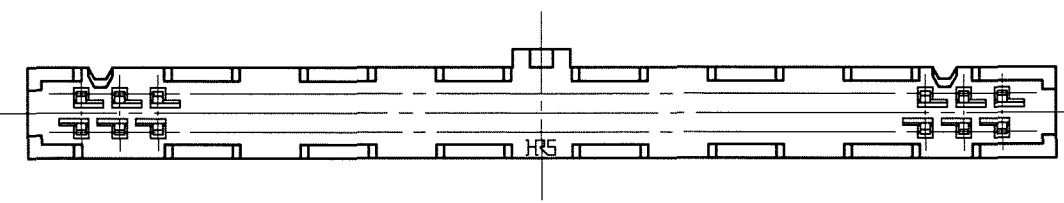
RECOMMENDED LAND PATTERN DIMENSION OF P.C.B.



LOT No. MARKING



NOTE 1. THE DIMENSIONS IN PARENTHESES ARE FOR REFERENCE.



TO

1	PBT	BLACK UL94V-0	2	COPPER ALLOY	CONTACT AREA : GOLD 0.2μ m min. LEAD AREA: TIN-PLATING 2μ m min. UNDER PLATING : NICKEL 2.5μ m min.
NO.	MATERIAL	FINISH, REMARKS	NO.	MATERIAL	FINISH, REMARKS
CODE NO. (OLD) CL		DRAWN K.DOI 06.04.28	DESIGNED K. Sai '06.04.28	CHECKED K. Ogyama '06.04.28	APPROVED H. Okawa '06.04.28
SCALE 2 : 1		DRAWING NO. EDC3-019375-21		PART NO. HIF3FB-50DA-2.54DSA(71)	
UNITS mm		HRS HIROSE ELECTRIC CO., LTD		CODE NO. CL616-0209-9-71	
					1/1

Mouser Electronics

Authorized Distributor

Click to View Pricing, Inventory, Delivery & Lifecycle Information:

[Hirose Electric:](#)

[HIF3FB-50DA-2.54DSA\(71\)](#)