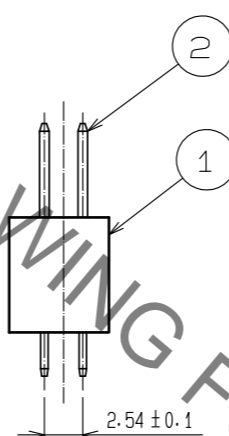
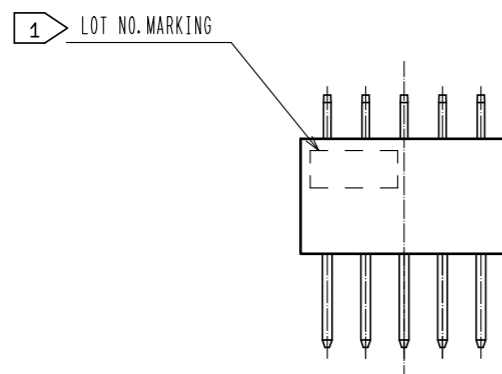
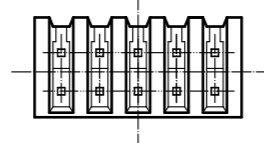
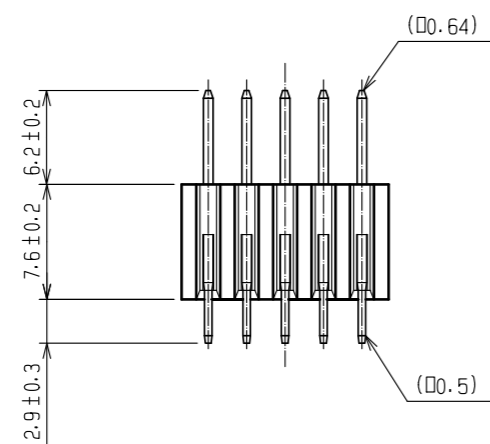
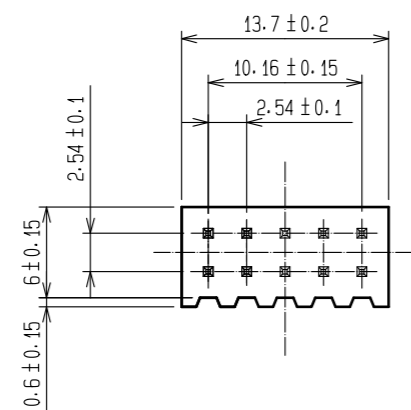
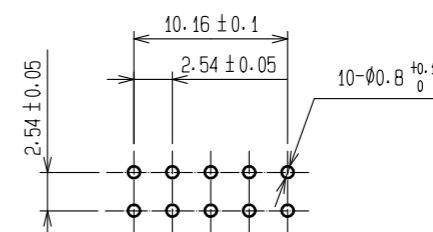


Sep.1.2021 Copyright 2021 HIROSE ELECTRIC CO., LTD. All Rights Reserved.
 In case of consideration for using Automotive equipment / device which demand high reliability, kindly contact our sales window correspondents.



RECOMMENDED PC BOARD HOLE PATTERN



HRS DRAWING FOR REFERENCE

- NOTE
- 1 LOT NO. LOCATION OPTIONAL.
 - 2. THE DIMENSIONS IN PARENTHESES ARE FOR REFERENCE.

1	PBT	BLACK	UL94V-0	2	BRASS	CONTACT AREA:GOLD 0.2µm min.
NO.	MATERIAL	FINISH	REMARKS	NO.	MATERIAL	LEAD AREA:TIN-PLATING 2µm min.
						UNDER PLATING:NICKEL 2.5µm min.
UNITS	mm	SCALE	2 : 1	COUNT	DESCRIPTION OF REVISIONS	DESIGNED
						CHECKED
						DATE
APPROVED : HS. OKAWA		15.07.29		DRAWING NO. EDC-016906-71-00		
CHECKED : HT. YAMAGUCHI		15.07.29		PART NO. HIF3E-10PA-2.54DSA(71)		
DESIGNED : TH. SANO		15.07.28		CODE NO. CL614-0061-7-71		
DRAWN : HR. NAGAYASU		15.07.28				

Mouser Electronics

Authorized Distributor

Click to View Pricing, Inventory, Delivery & Lifecycle Information:

[Hirose Electric:](#)

[HIF3E-10PA-2.54DSA\(71\)](#)