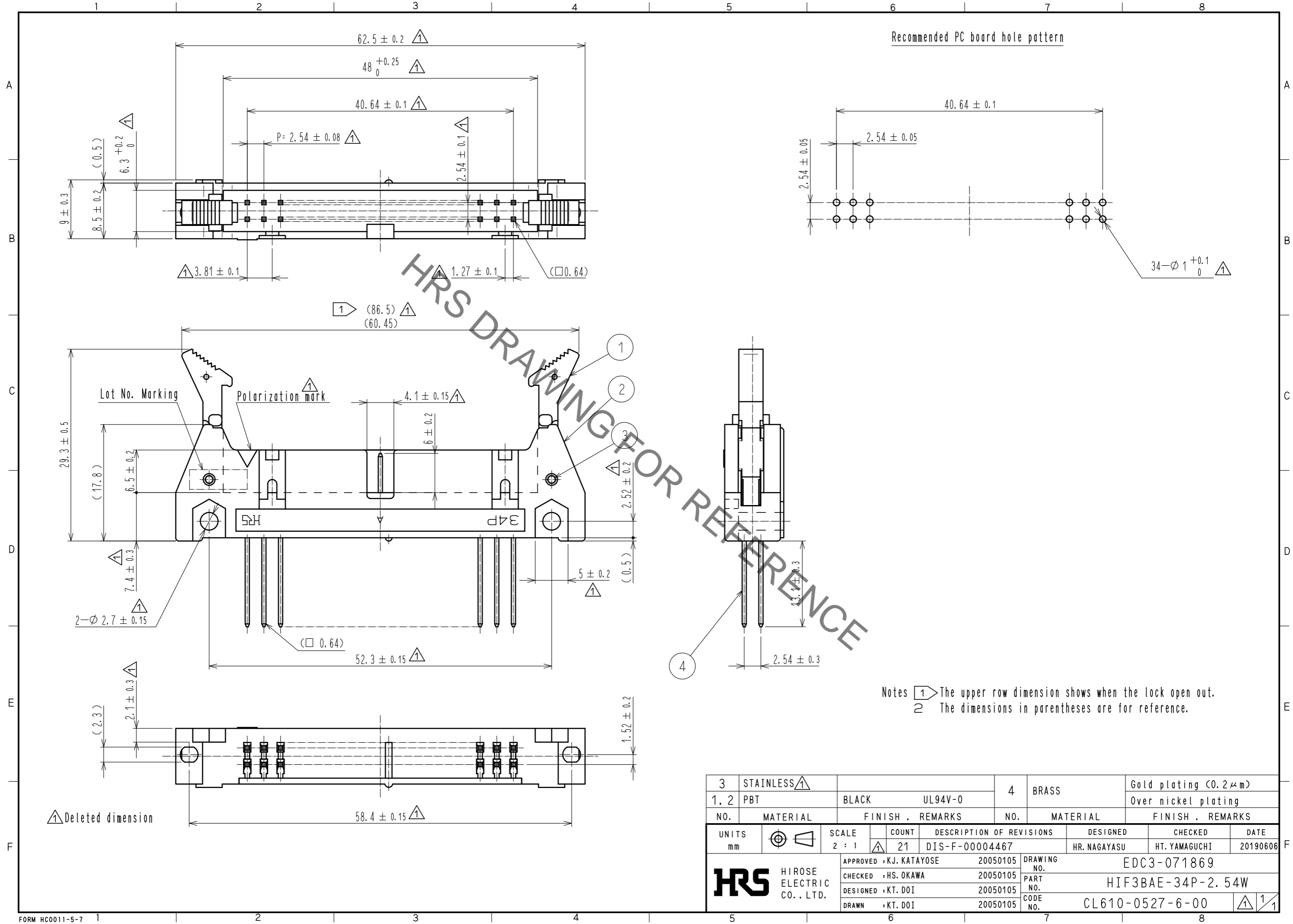


Sep.1.2021 Copyright 2021 HIROSE ELECTRIC CO., LTD. All Rights Reserved.
 In case of consideration for using Automotive equipment / device which demand high reliability, kindly contact our sales window correspondents.



Notes 1 The upper row dimension shows when the lock open out.
 2 The dimensions in parentheses are for reference.

3	STAINLESS		4	BRASS	Gold plating (0.2 μm)		
1, 2	PBT	BLACK	UL94V-0		Over nickel plating		
NO.	MATERIAL	FINISH	REMARKS	NO.	MATERIAL	FINISH	REMARKS
UNITS	mm	SCALE	2 : 1	COUNT	21	DESCRIPTION OF REVISIONS	DIS-F-00004467
DESIGNED		HR. NAGAYASU		CHECKED		HT. YAMAGUCHI	
DATE		20190606		DRAWING NO.		EDC3-071869	
APPROVED		KJ. KATAYOSE		PART NO.		HIF3BAE-34P-2.54W	
CHECKED		HS. OKAWA		CODE NO.		CL610-0527-6-00	
DESIGNED		KT. DOI		SCALE		1/1	
DRAWN		KT. DOI					

Mouser Electronics

Authorized Distributor

Click to View Pricing, Inventory, Delivery & Lifecycle Information:

[Hirose Electric:](#)

[HIF3BAE-34P-2.54W](#)