

Aug.1.2021 Copyright 2021 HIROSE ELECTRIC CO., LTD. All Rights Reserved.  
In case of consideration for using Automotive equipment / device which demand high reliability, kindly contact our sales window correspondents.

ELV. RoHS COMPLIANT

RECOMMENDED PCB BOARD

MATED CONNECTORS

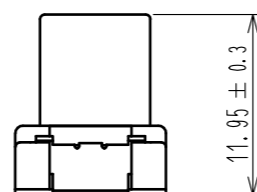
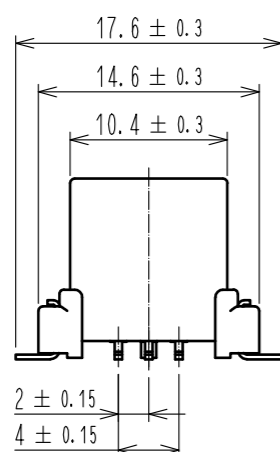
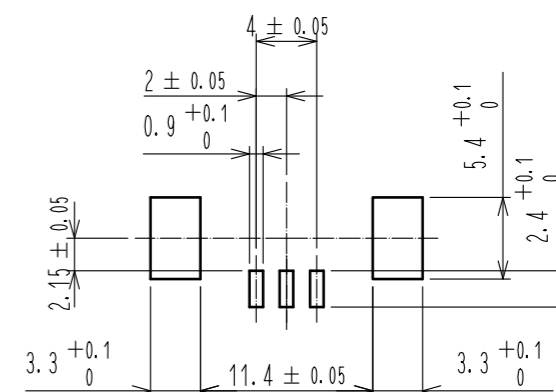
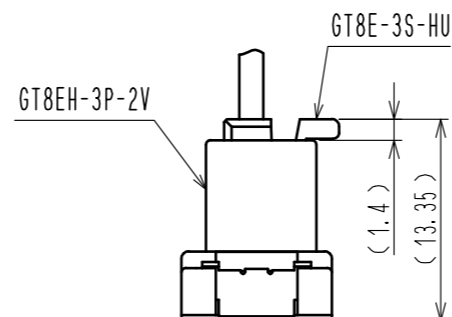
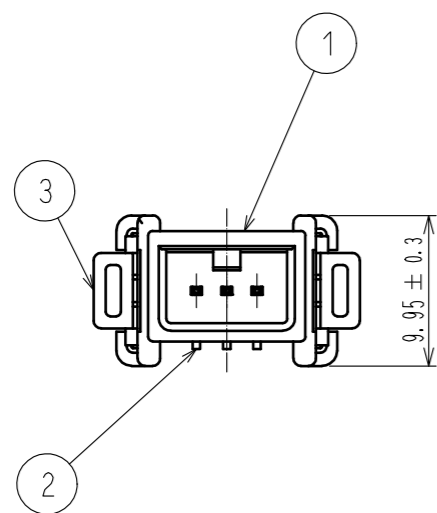
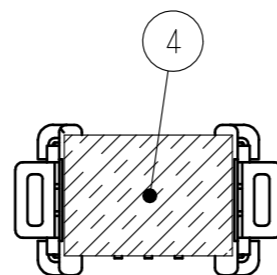


Fig. ADDED A PICK & PLACE TAPE



NOTE1. RECOMMENDED TEMPERATURE PROFILE FOR REFLOW (REFER RIGHT FIG.).

REFLOW HEATING: FAR-INFLARED, IN THE AIR OR NITROGEN

REFLOW No. : MAX 2 TIMES

PEAK TEMPERATURE : 250°C

ABOVE 230°C : 20~40s

PREHEAT : 150~180°C (60~120s)

2. SOLDERING TEMPERATURE : 280~300°C (MAX 2s)

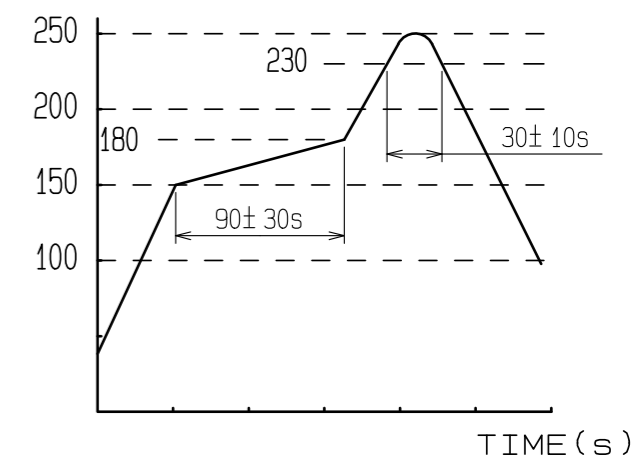
3. COPLANARITY OF LEADS SHALL BE UNDER 0.1mm.

4. RECOMMENDED THICKNESS FOR PCB BOARD IS 1.6mm.

5. RECOMMENDED THICKNESS FOR SOLDER PASTE IS 0.15mm.

6. DRAWING FOR PACKING.

TEMPERATURE (°C)

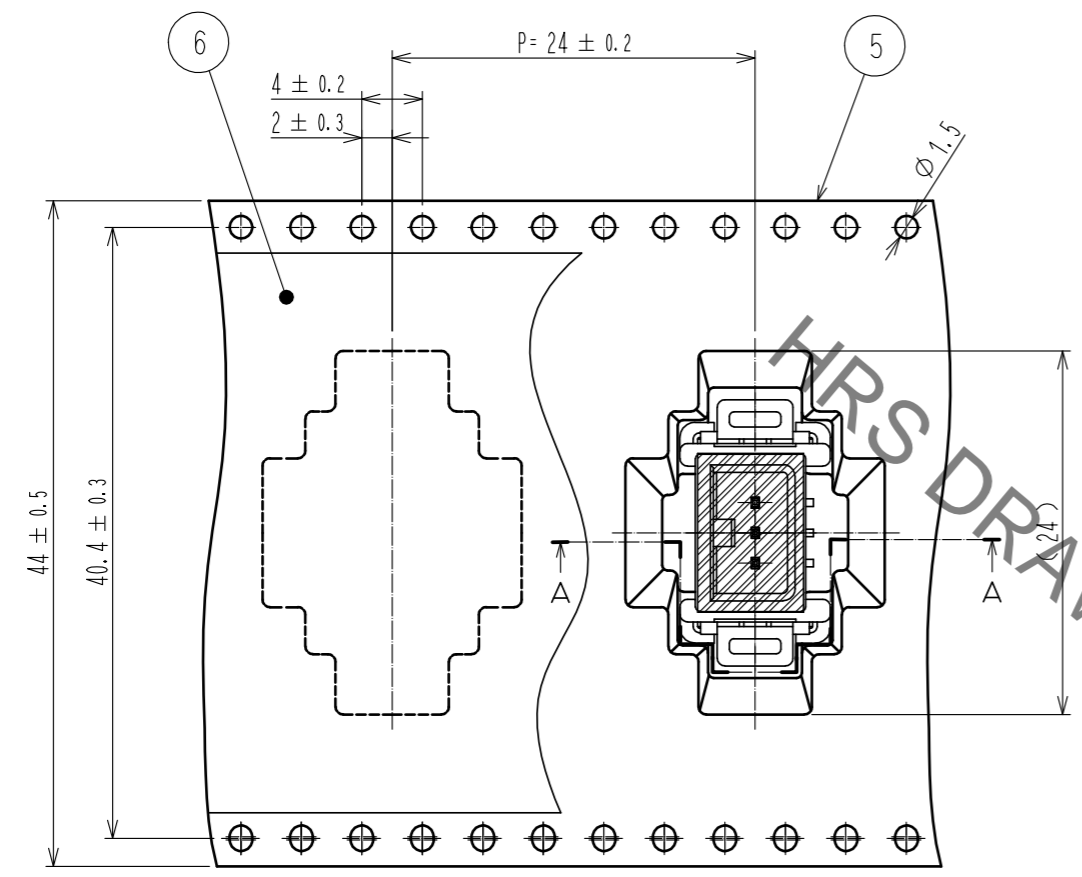


3	BRASS	TIN PLATING	6	PET	COVER TAPE			
2	BRASS	TIN PLATING	5	PS	EMBOSSED CARRIER TAPE			
1	PPS	BLACK	4	POLYIMIDE	PICK & PLACE TAPE			
NO.	MATERIAL	FINISH .	REMARKS	NO.	MATERIAL	FINISH .	REMARKS	
UNITS	mm	SCALE	2 : 1	COUNT	DESCRIPTION OF REVISIONS	DESIGNED	CHECKED	DATE
APPROVED : HH. TSUKUMO		20200321		DRAWING NO.		EDC-168890-55-00		
CHECKED : HH. TSUKUMO		20200321		PART NO.		GT8EH-3P-2V(55)		
DESIGNED : DONGCHAN KIM		20200318		CODE NO.		CL758-1016-0-55		
DRAWN : YK. MITSUISHI		20200318						

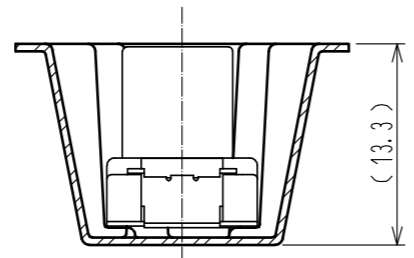
Aug.1.2021 Copyright 2021 HIROSE ELECTRIC CO., LTD. All Rights Reserved.  
 In case of consideration for using Automotive equipment / device which demand high reliability, kindly contact our sales window correspondents.

ELV, RoHS COMPLIANT

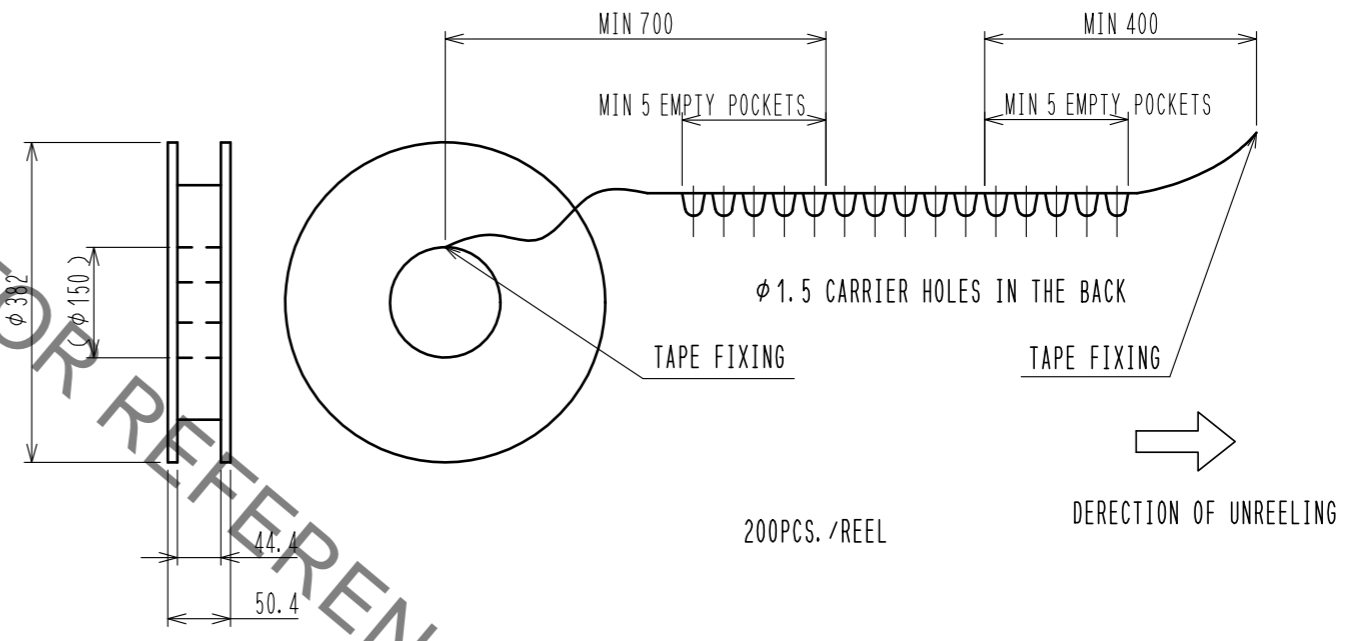
6 DRAWING FOR PACKING



DERECTION OF UNREELING

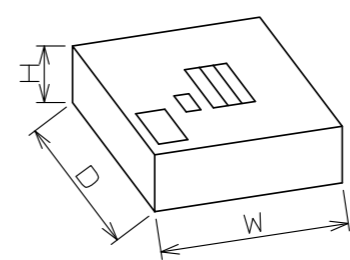


A-A



200PCS./REEL

SIZE OF A CARDBOARD



W=(405) (mm)  
 D=(405) (mm)  
 H=(51) (mm)

<b>HRS</b>	DRAWING NO.	EDC-168890-55-00
	PART NO.	GT8EH-3P-2V(55)
	CODE NO.	CL758-1016-0-55
		2/2

# Mouser Electronics

Authorized Distributor

Click to View Pricing, Inventory, Delivery & Lifecycle Information:

[Hirose Electric:](#)

[GT8EH-3P-2V\(55\)](#)