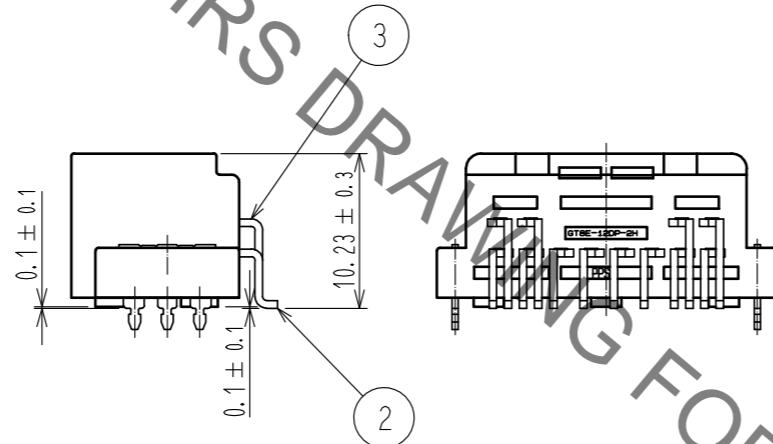
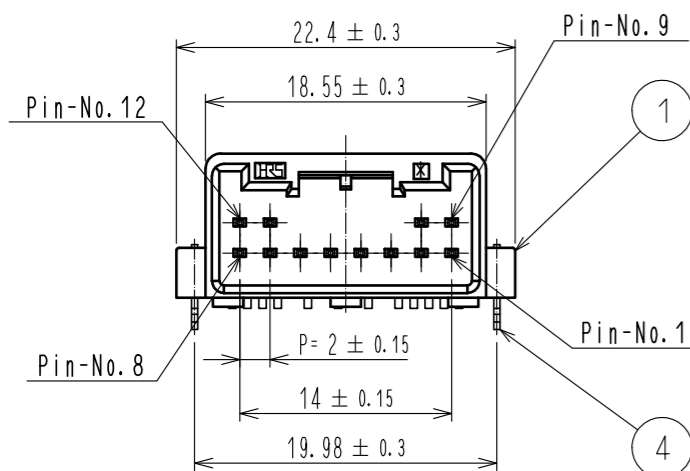
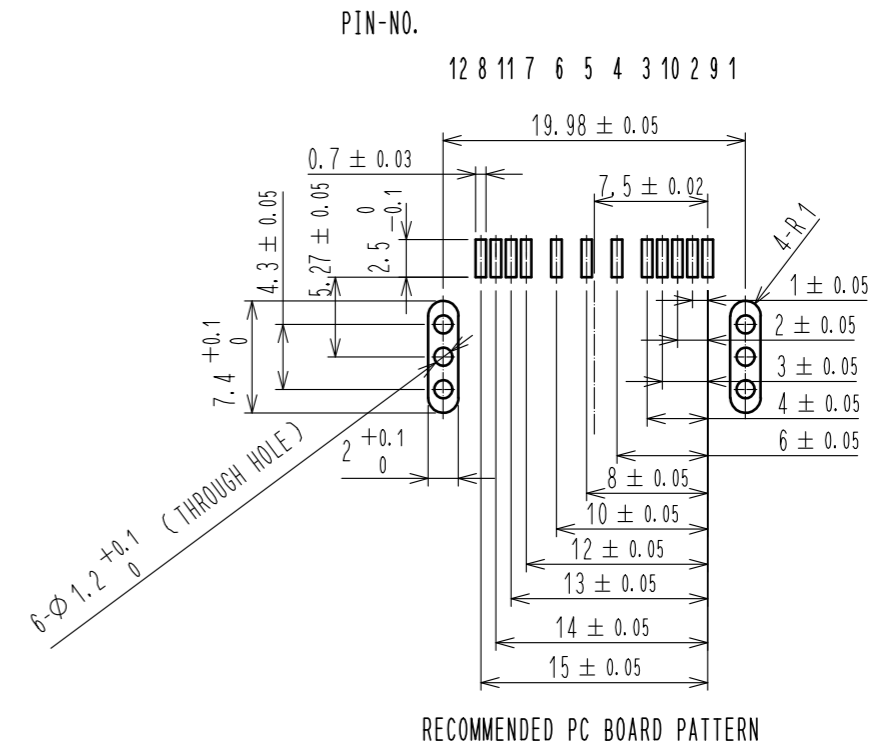
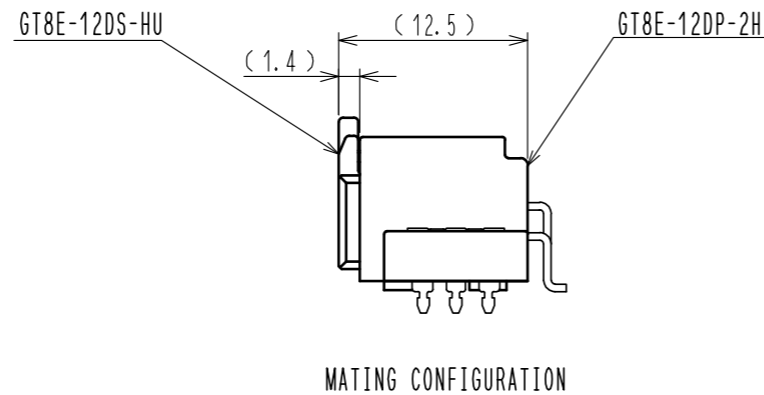
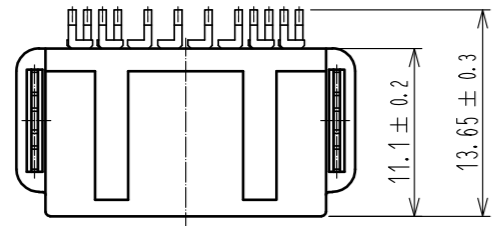


ELV. RoHS COMPLIANT



EMBOSS PACKING SPECIFICATIONS(FREE)

1. PLACE CONNECTORS INTO EMBOSSED CARRIER TAPE.

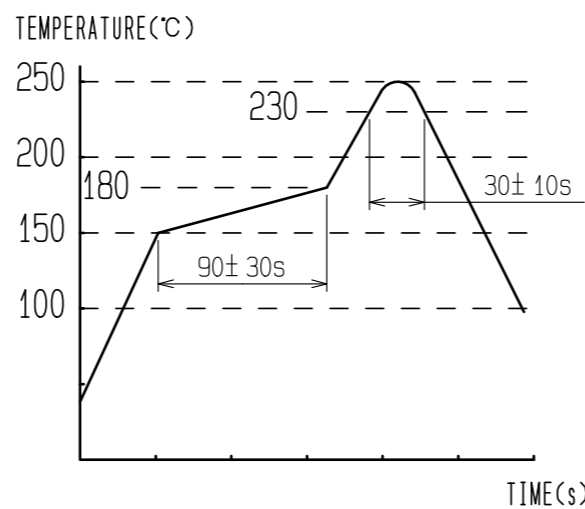
← DIRECTION OF UNREELING

300 PCS/REEL

2. PUT A REEL INTO CARTON BOX

W = (405) (mm)
D = (405) (mm)
H = (51) (mm)

- NOTE1. RECOMMENDED TEMPERATURE PROFILE FOR REFLOW(REFER TO RIGHT FIG.)
REFLOW HEATING METHODS : FAR-INFLARED, IN THE AIR OR NITROGEN.
REFLOW No. : MAX 2TIMES
PEAK TEMPERATURE : 250°C
ABOVE 230°C : 20~40s
PREHEAT : 150~180°C(60~120s)
- SOLDERING TEMPERATURE : 280~300°C, MAX2s
 - COPLANARITY OF LEADS SHALL BE UNDER 0.1mm.
 - RECOMMENDED THICKNESS FOR PC BOARD IS 1.6mm.
 - RECOMMENDED THICKNESS FOR SOLDER PASTE IS 0.15mm.



2	BRASS	TIN PLATING	4	BRASS	TIN PLATING
1	PPS	BLACK	3	BRASS	TIN PLATING
NO.	MATERIAL	FINISH . REMARKS	NO.	MATERIAL	FINISH . REMARKS
UNITS mm		SCALE 2 : 1	COUNT 	DESCRIPTION OF REVISIONS	DESIGNED
HIROSE ELECTRIC CO., LTD.			APPROVED : HH. TSUKUMO 20200321	DRAWING NO. EDC-167884-55-00	
			CHECKED : HH. TSUKUMO 20200321	PART NO. GT8E-12DP-2H(55)	
			DESIGNED : DONGCHAN KIM 20200221	CODE NO. CL758-1008-2-55	
			DRAWN : YK. MITSUISHI 20200220	DATE	

In case of consideration for using Automotive equipment / device which demand high reliability, kindly contact our sales window correspondents.

Mouser Electronics

Authorized Distributor

Click to View Pricing, Inventory, Delivery & Lifecycle Information:

[Hirose Electric:](#)

[GT8E-12DP-2H\(55\)](#)