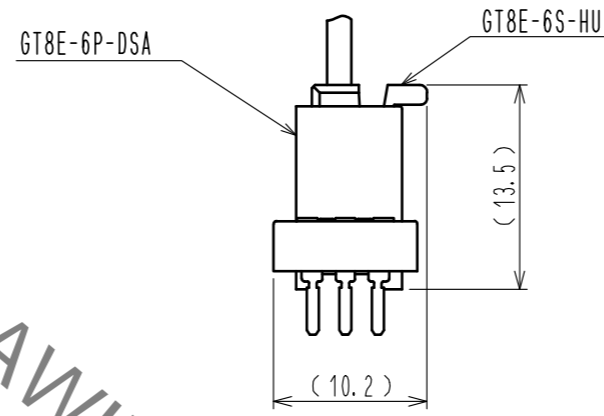
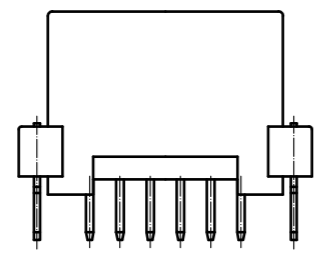
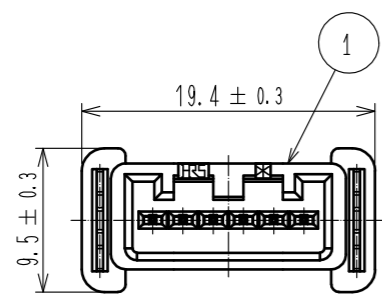
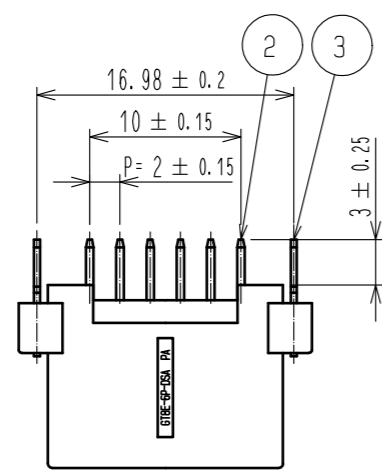
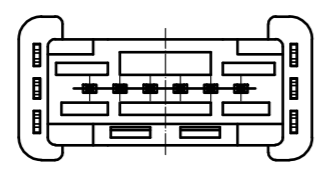
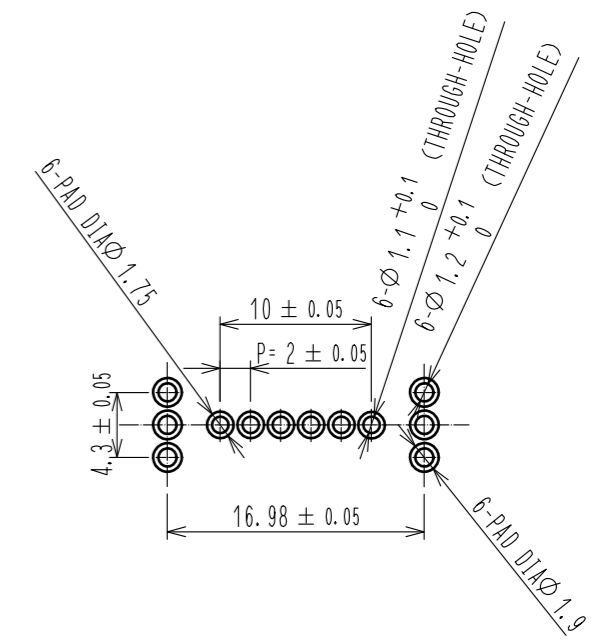


Sep.1.2021 Copyright 2021 HIROSE ELECTRIC CO., LTD. All Rights Reserved.
 In case of consideration for using Automotive equipment / device which demand high reliability, kindly contact our sales window correspondents.

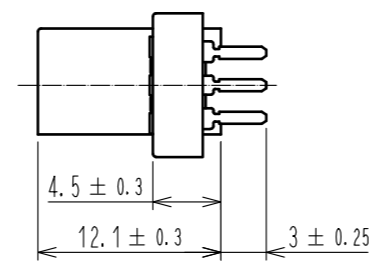
ELV. RoHS COMPLIANT



MATING CONFIGURATION



RECOMMENDED PC BOARD PATTERN



HRS DRAWING FOR REFERENCE

2	BRASS	TIN PLATING			
1	PA	BLACK	3	BRASS	TIN PLATING
NO.	MATERIAL	FINISH . REMARKS	NO.	MATERIAL	FINISH . REMARKS
UNITS mm		SCALE 2 : 1		COUNT	DESCRIPTION OF REVISIONS
HIROSE ELECTRIC CO., LTD.		APPROVED : HK. UMEHARA	20200322	DRAWING NO. EDC-168128-55-00	
		CHECKED : HH. TSUKUMO	20200321	PART NO. GT8E-6P-DSA(55)	
		DESIGNED : DONGCHAN KIM	20200318	CODE NO. CL758-0201-7-55	
		DRAWN : YK. MITSUISHI	20200318	1/1	

Mouser Electronics

Authorized Distributor

Click to View Pricing, Inventory, Delivery & Lifecycle Information:

[Hirose Electric:](#)

[GT8E-6P-DSA\(55\)](#)