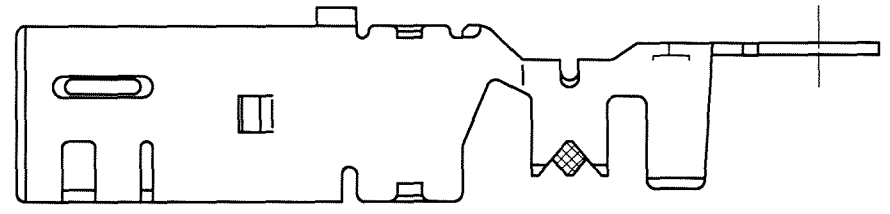
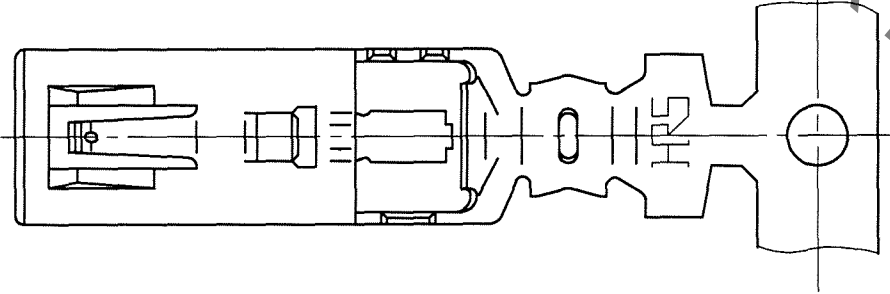
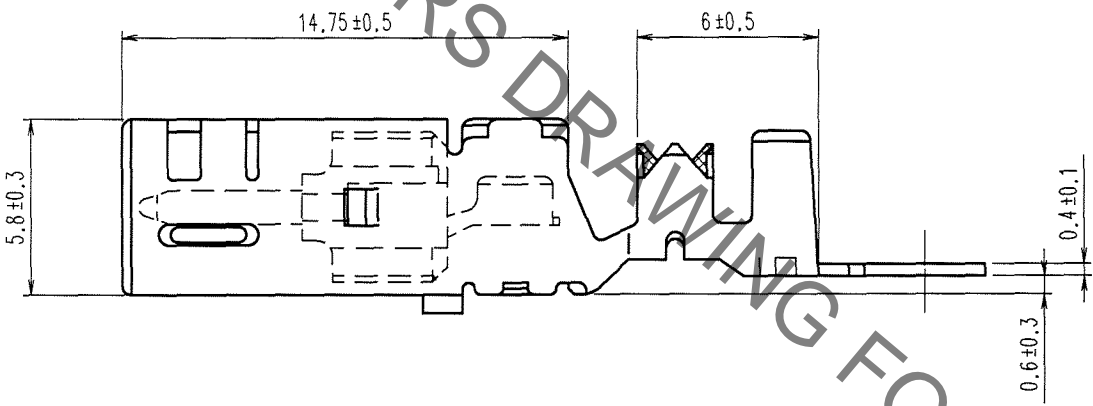
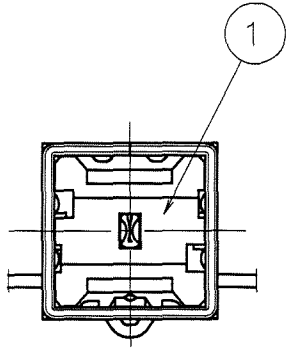
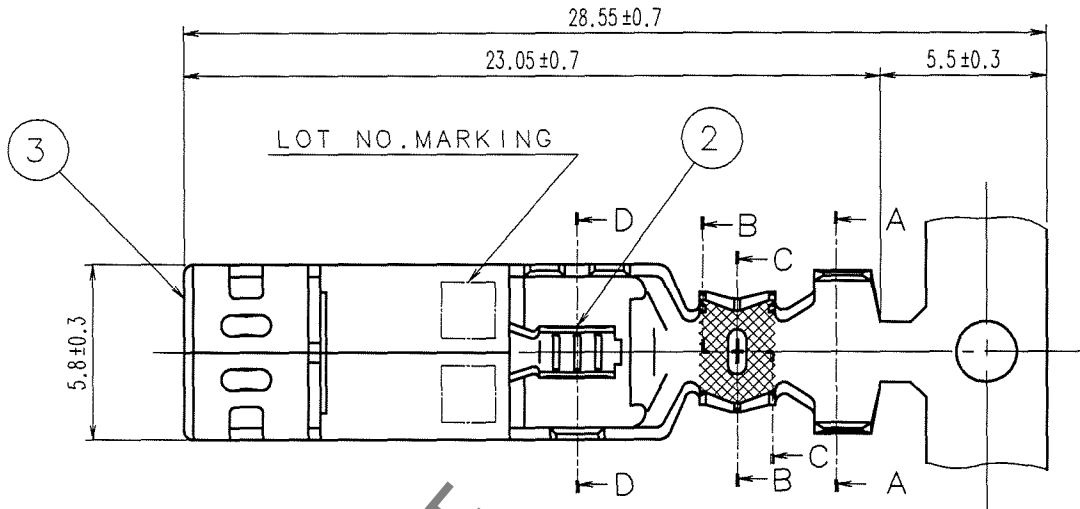
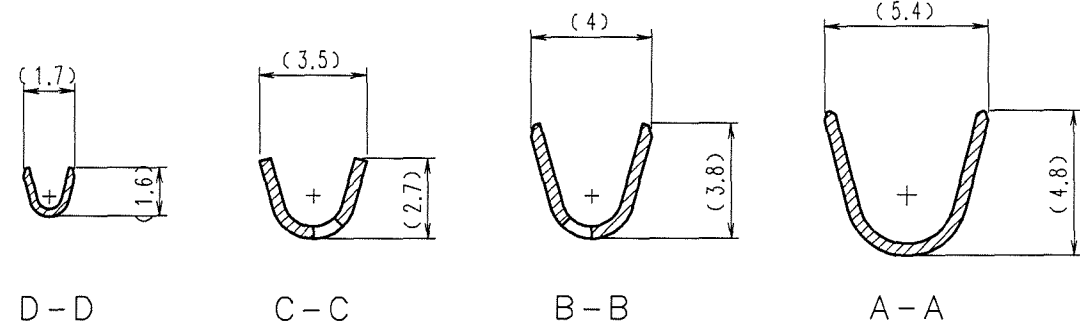


Aug.1.2021 Copyright 2021 HIROSE ELECTRIC CO., LTD. All Rights Reserved.  
 In case of consideration for using Automotive equipment / device which demand high reliability, kindly contact our sales window correspondents.

ELV. RoHS COMPLIANT



COUNT	DESCRIPTION OF REVISIONS	BY	CHKD	DATE	COUNT	DESCRIPTION OF REVISIONS	BY	CHKD	DATE
△				..	△				..
△				..	△				..
△				..	△				..



HRS DRAWING FOR REFERENCE

TO
AMC

NOTE 1. ONE REEL CONSISTS OF 900 PIECES OF CONTACTS.

3	BRASS	TIN PLATED, T=0.4	2	BRASS	TIN PLATED, T=0.25		
1	PBT	DARK GRAY, UL94V-0					
NO.	MATERIAL	FINISH, REMARKS	NO.	MATERIAL	FINISH, REMARKS		
CODE NO. (OLD)			DRAWN	DESIGNED	CHECKED	APPROVED	RELEASED
			S.KURIYA '06 5 23	T.IKEDA '01 10 30	K. Sato 06.5.23	K. Sato 06.5.23	..
DRAWING NO. EDC3-165476-01			PART NO. GT5L-2428/1.6-2.9PCF(70)				
SCALE 4 : 1			CODE NO. CL755-0066-4-70				
UNITS mm			HRS HIROSE ELECTRIC CO., LTD				

AMC

# Mouser Electronics

Authorized Distributor

Click to View Pricing, Inventory, Delivery & Lifecycle Information:

[Hirose Electric:](#)

[GT5L-2428/1.6-2.9PCF\(70\)](#)