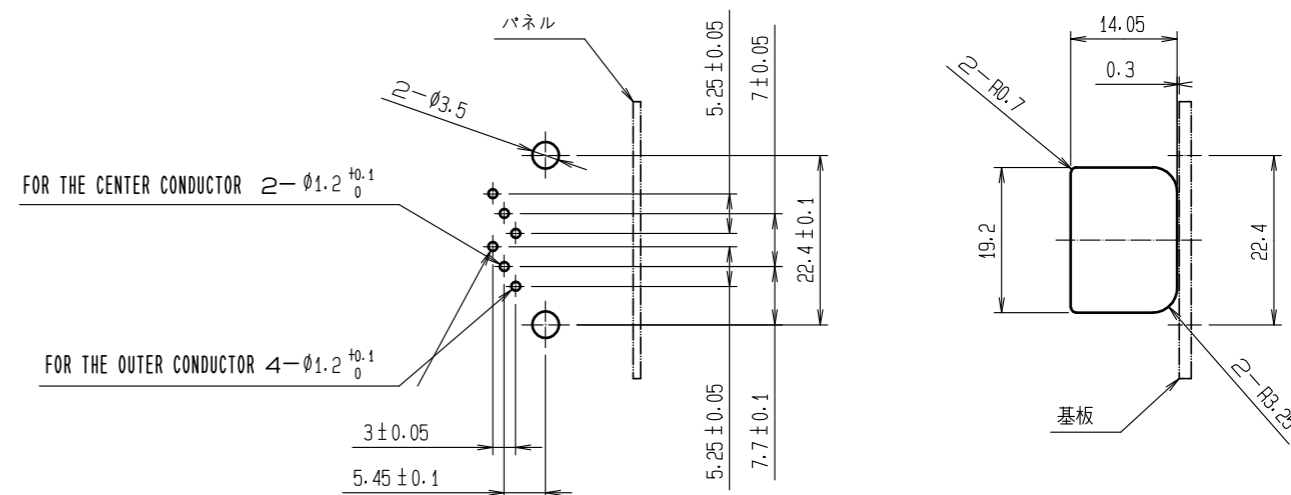
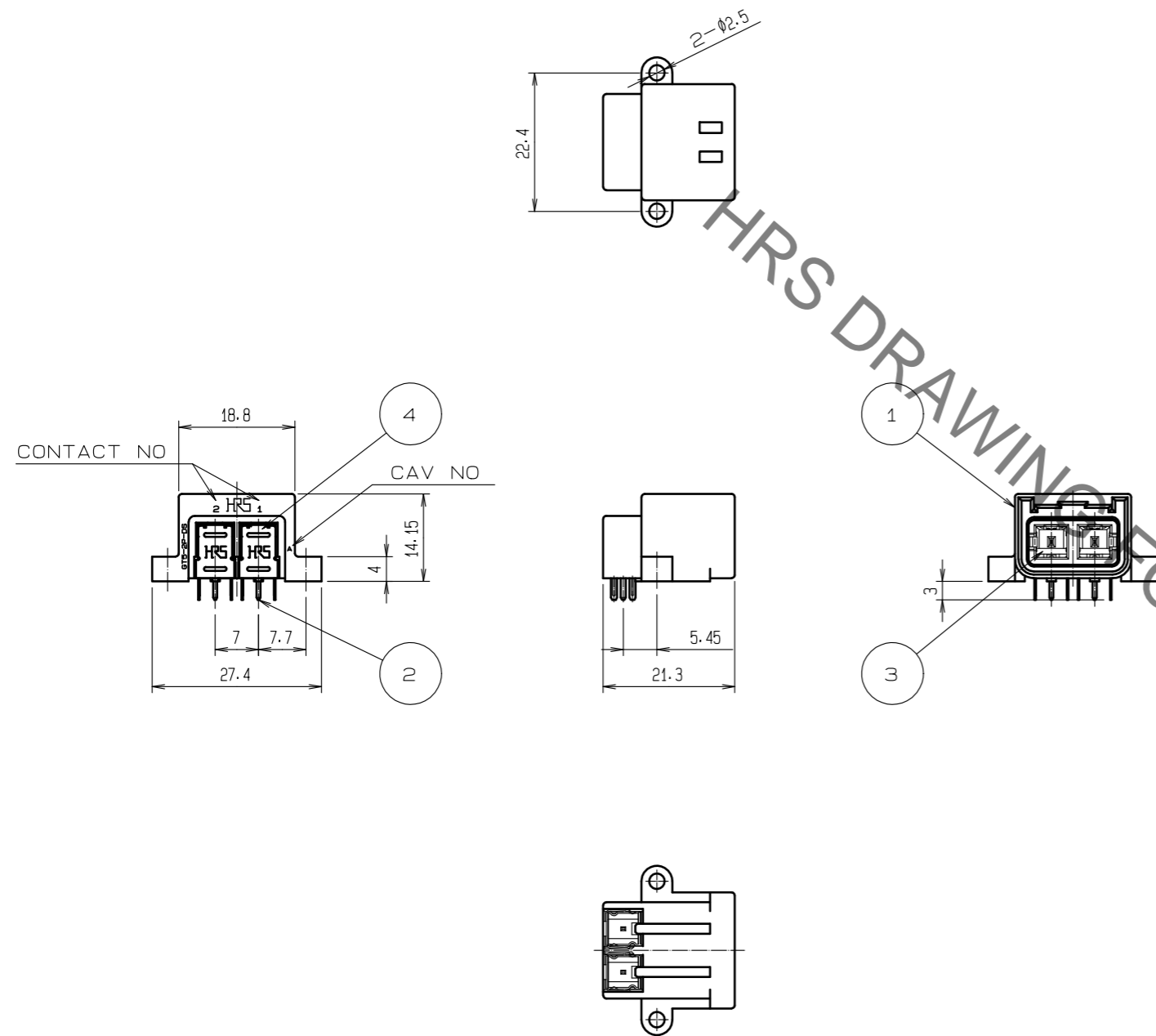


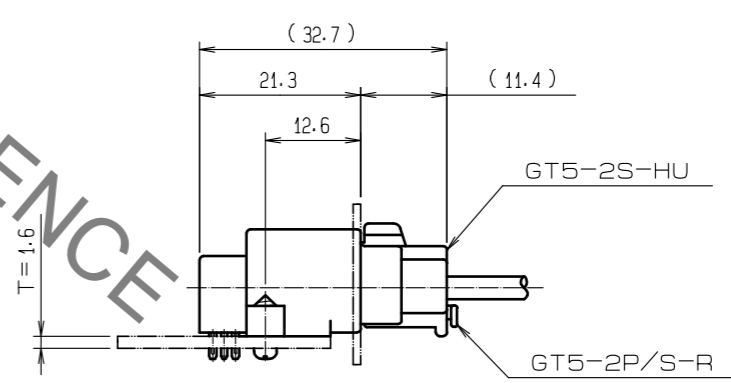
Aug.1.2021 Copyright 2021 HIROSE ELECTRIC CO., LTD. All Rights Reserved.  
In case of consideration for using Automotive equipment / device which demand high reliability, kindly contact our sales window correspondents.

ELV, RoHS COMPLIANT



RECOMMENDED PC BOARD HOLE PATTERN

RECOMMENDED PANEL CUTOUT



MATED CONNECTORS

NOTE1. DEPENDING ON THE CIRCUMSTANCES, RECESS OF WELDING SHALL BE ADDED TO MOLD TO PREVENT SINKAGE.  
 ⚠ 2. FIXING SCREW SHALL BE NOMINAL DIAMETER 3mm, LENGTH 6mm IN ACCORDANCE WITH CLASS 1 OR 4 OF JIS B1115, 1112. DO NOT USE ANY SCREWS OTHER THAN THE RECOMMENDED ONES.  
 ⚠ 3. INSTALL THE SCREWS PERPENDICULARLY TO THE BOARD.

2	BRASS	TIN PLATED	4	PHOSPHOR BRONZE	TIN PLATED
1	PBT	UL94HB LIGHT GRAY	3	PBT	UL94V-0 DARK GRAY
部番	材質	処理, 備考	部番	材質	処理, 備考
UNITS mm		SCALE 1 : 1	△の数 2	訂正記事 DIS-T-00008754	設計 KN. MIKAMI
<b>HRS</b> HIROSE ELECTRIC CO., LTD.		承認 : KS. SATOH 20060113	検 査 : KS. SATOH 20060113	設 計 : TS. KUBOTA 20060113	製 図 : TS. KUBOTA 20060113
図番 : EDC3-165326-01			製品名 : GT5-2P-DS(70)		
製品コード : CL0755-0043-9-70			年月日 : 20210326		

# Mouser Electronics

Authorized Distributor

Click to View Pricing, Inventory, Delivery & Lifecycle Information:

[Hirose Electric:](#)

[GT5-2P-DS\(70\)](#)