

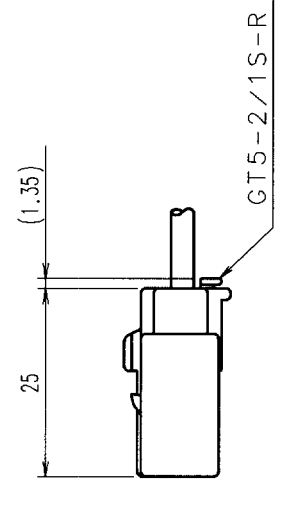
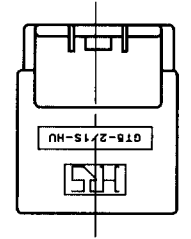
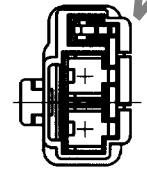
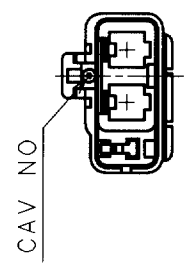
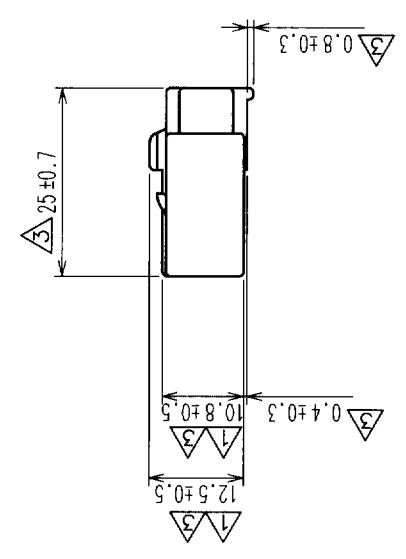
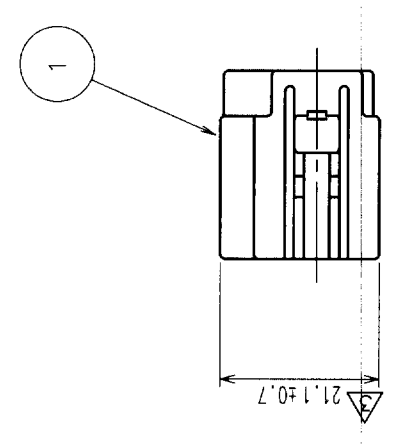
In case of consideration for using Automotive equipment / device which demand high reliability, kindly contact our sales window correspondents.

COUNT	DESCRIPTION OF REVISIONS	BY	CHKD	DATE	COUNT	DESCRIPTION OF REVISIONS	BY	CHKD	DATE
3	RE-H-0685	N.N.K.S		'93. 3. 4					
1	RE-H-1325	N.N.K.S		'94.12.29					
8	RE-T-00607	T.I.M.C		'91.11.28					

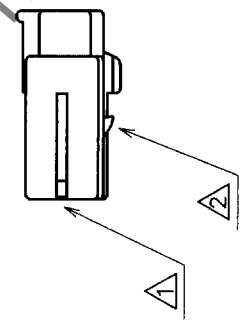
NOTE1. THIS CONNECTOR SHALL BE USED WITH A RETAINER
(CL755-0003-4).

PECULIAR SPECIFICATION CHART

PART NO.	CL NO.	SPECIFICATION
GT5-271S-HU	755-0009-0	LIGHT GRAY
GT5-271S-HU (20)	755-0009-0-20	ORANGE
GT5-271S-HU (21)	755-0009-0-21	BLUE



CONNECTOR ASSEMBLED WITH A RETAINER



NO.	PBT	MATERIAL	FINISH, REMARKS	NO.	MATERIAL	FINISH, REMARKS
1						
CODE NO. (OLD) CL559-0128-9						
DRAWN			DESIGNED		CHECKED	
N.NAKATA			N.NAKATA		K.SATO	
'92. 8. 29			'92. 8. 29		'92.11. 5	
DRAWING NO.			PART NO.		FINISH, REMARKS	
EDC3-84644			GT5-2/1S-HU		APPROVED	
SCALE			CODE NO.		RELEASED	
1 : 1			CL755-0009-0		M. YAMAMOTO	
UNITS			HRS		'92.11. 5	
ITTT			HIROSE ELECTRIC CO., LTD		. . .	

TO	
----	--

Mouser Electronics

Authorized Distributor

Click to View Pricing, Inventory, Delivery & Lifecycle Information:

[Hirose Electric:](#)

[GT5-2/1S-HU](#)