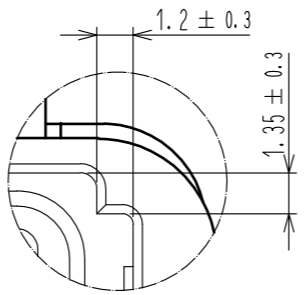
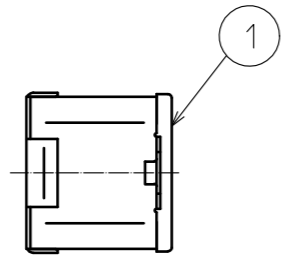
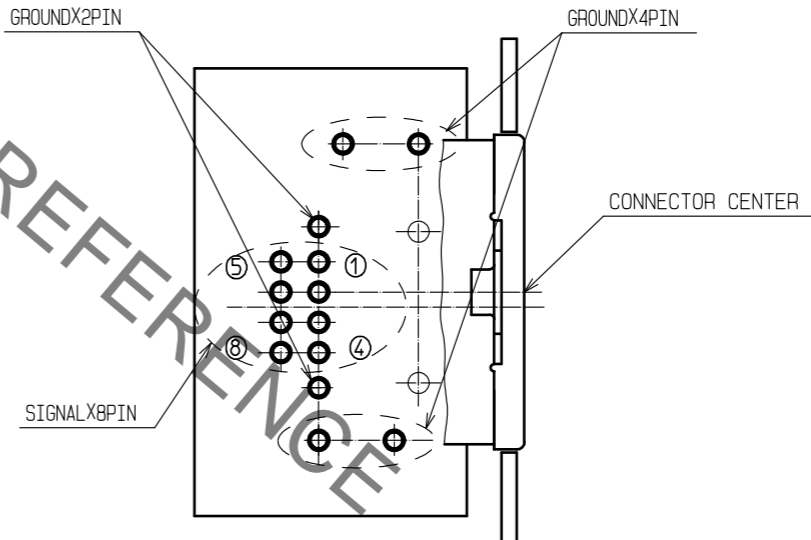
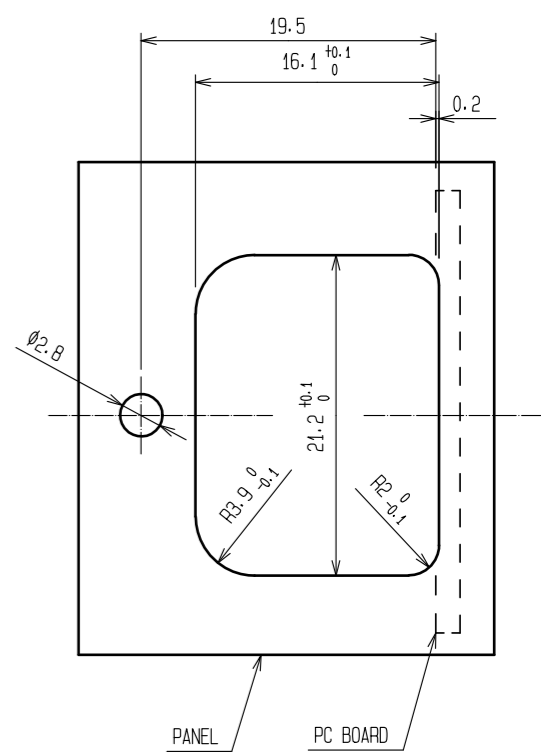
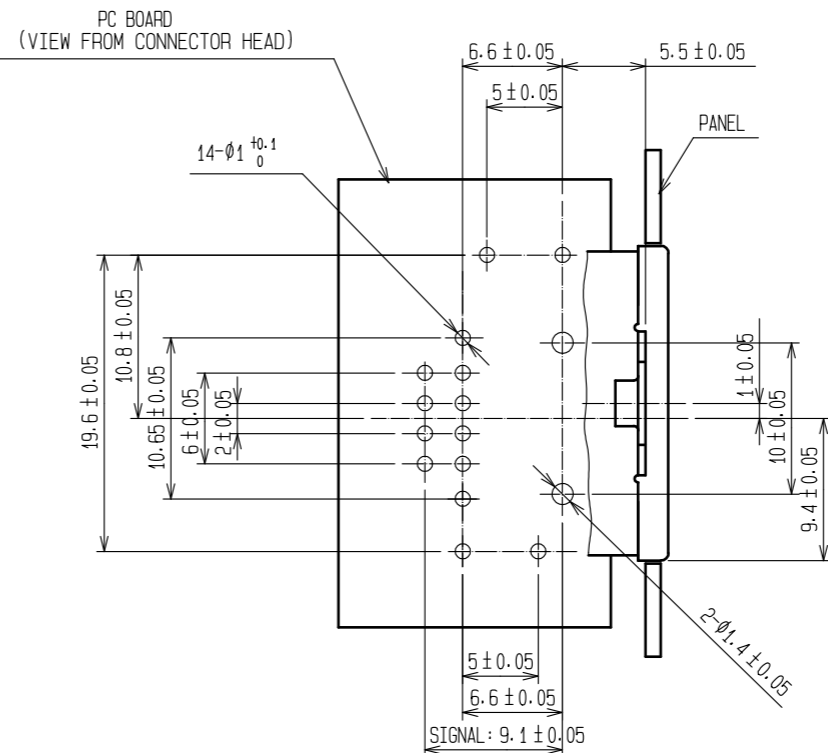
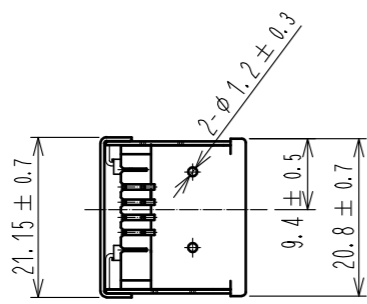
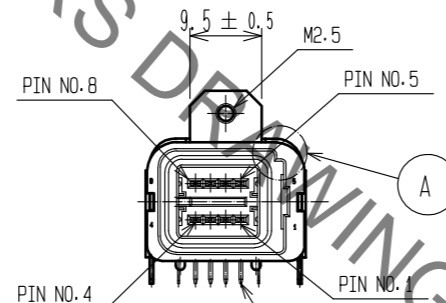
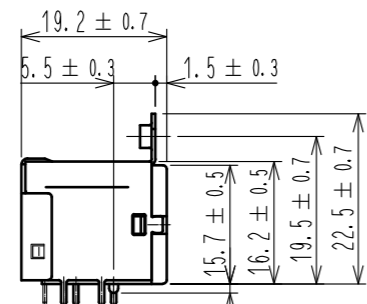
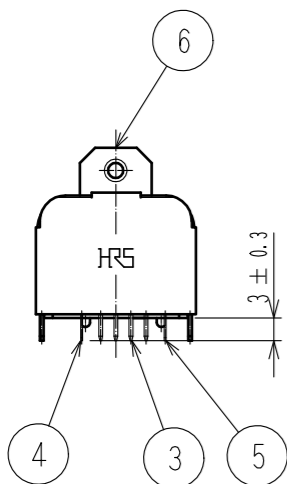


Sep.1.2021 Copyright 2021 HIROSE ELECTRIC CO., LTD. All Rights Reserved.  
In case of consideration for using Automotive equipment / device which demand high reliability, kindly contact our sales window correspondents.

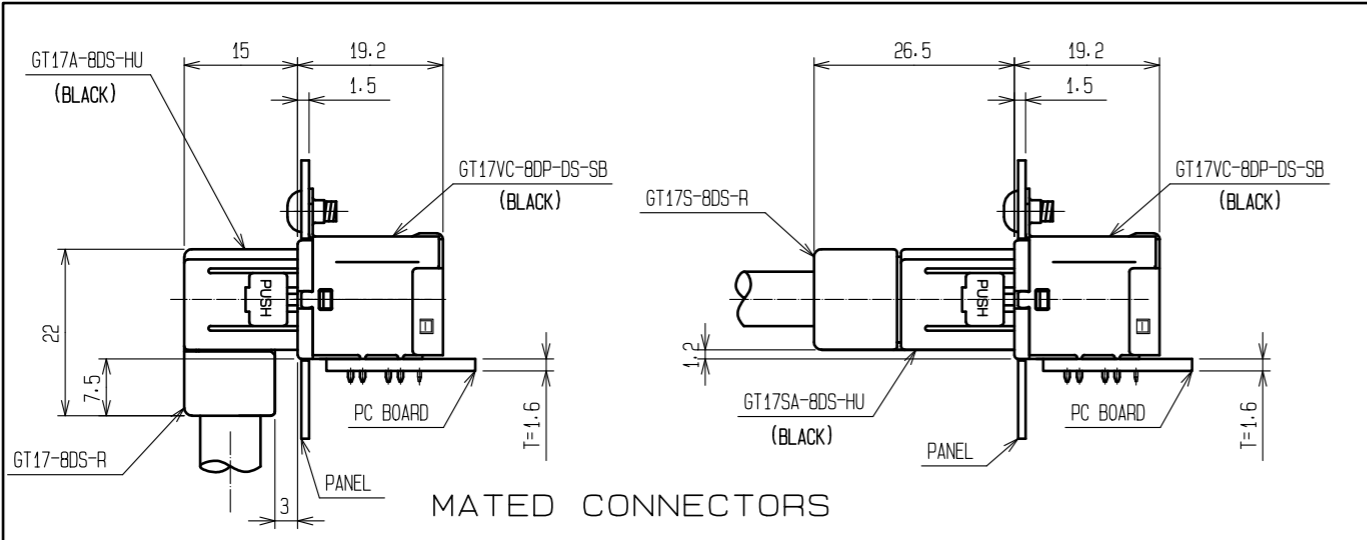
ELV·RoHS COMPLIANT



A (4:1)



RECOMMENDED PC BOARD HOLE PATTERN(2:1)  
VIEW FROM CONNECTOR HEAD



3	BRASS	TIN PLATING · T=0.64	6	BRASS	TIN PLATING · T=0.5
2	BRASS	TIN PLATING · T=0.64	5	COPPER ALLOY	TIN PLATING · T=0.25
1	PBT	BLACK	4	COPPER ALLOY	TIN PLATING · T=0.25
NO.	MATERIAL	FINISH · REMARKS	NO.	MATERIAL	FINISH · REMARKS
UNITS mm		SCALE 1 : 1	COUNT	DESCRIPTION OF REVISIONS	
DESIGNED		CHECKED		DATE	
APPROVED : KI. HIROKAWA 20200326			DRAWING NO. EDC-166545-55-00		
CHECKED : EJ. WAKATSUKI 20200325			PART NO. GT17VC-8DP-DS-SB(55)		
DESIGNED : TS. KUBOTA 20200325			CODE NO. CL767-0124-9-55		
DRAWN : YK. MITSUISHI 20200219			1/1		

# Mouser Electronics

Authorized Distributor

Click to View Pricing, Inventory, Delivery & Lifecycle Information:

[Hirose Electric:](#)

[GT17VC-8DP-DS-SB\(55\)](#)