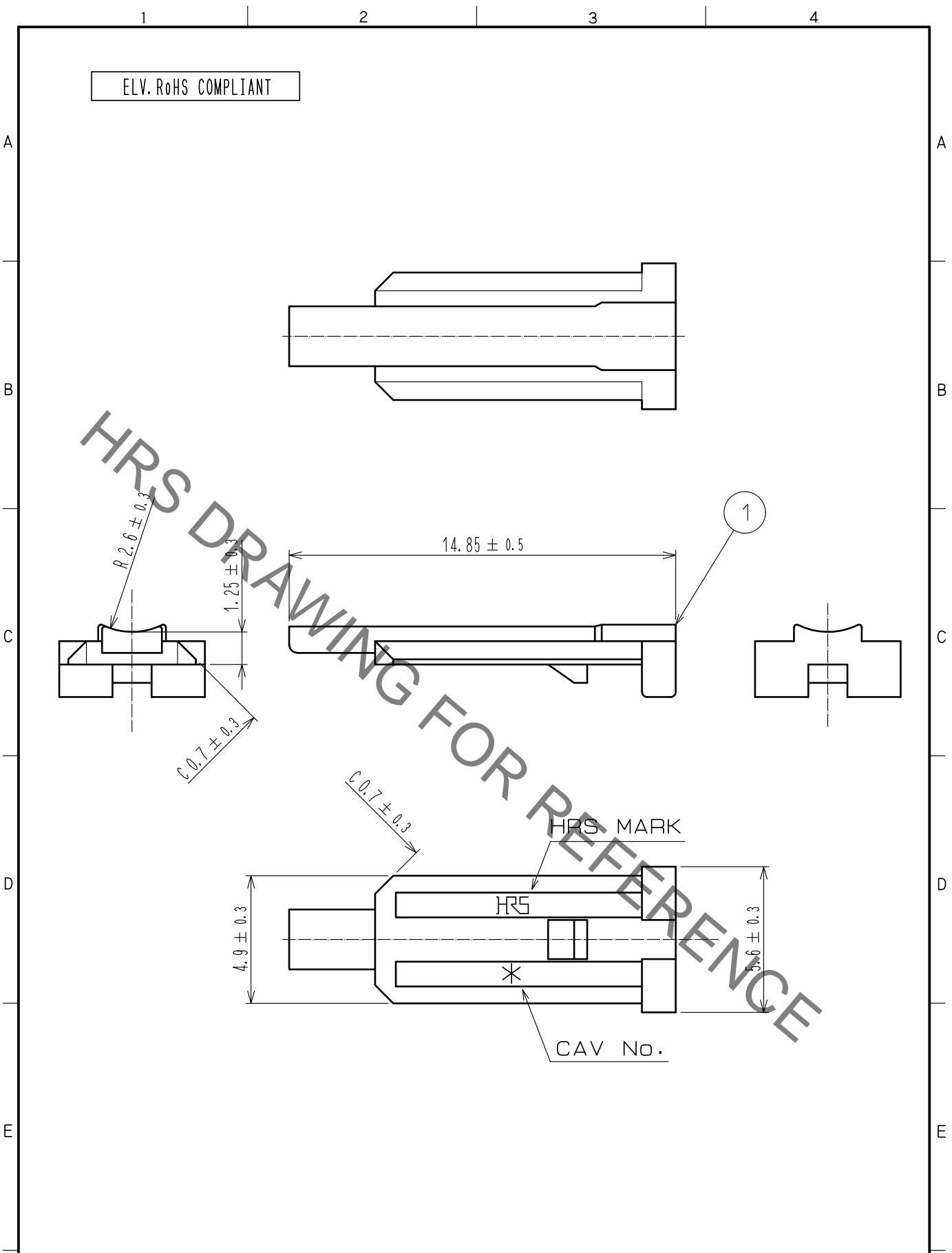


Sep.1.2021 Copyright 2021 HIROSE ELECTRIC CO., LTD. All Rights Reserved.
 In case of consideration for using Automotive equipment / device which demand high reliability, kindly contact our sales window correspondents.



ELV. RoHS COMPLIANT

1	PBT	NATURAL						
NO.	MATERIAL	FINISH	REMARKS	NO.	MATERIAL	FINISH	REMARKS	
UNITS mm		SCALE 5 : 1	COUNT 	DESCRIPTION OF REVISIONS		DESIGNED	CHECKED	DATE
HIROSE ELECTRIC CO., LTD.	APPROVED	·NH. NAKATA	15.09.03	DRAWING NO.	EDC-167228-00-00			
	CHECKED	·KI. HIROKAWA	15.09.03	PART NO.	GT16GT-1S-R			
	DESIGNED	·HS. NAGANO	15.08.20	CODE NO.	CL766-0099-7-00			
	DRAWN	·HS. NAGANO	15.08.20		1/1			

Mouser Electronics

Authorized Distributor

Click to View Pricing, Inventory, Delivery & Lifecycle Information:

[Hirose Electric:](#)

[GT16GT-1S-R](#)