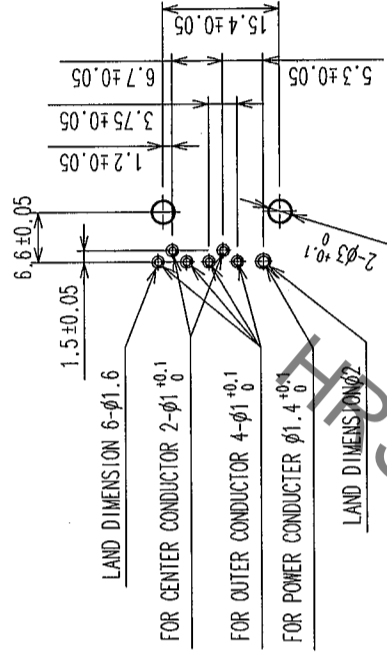


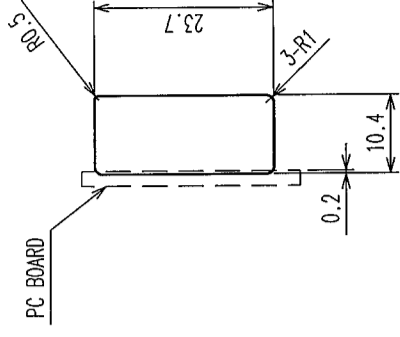
Sep.1.2021 Copyright 2021 HIROSE ELECTRIC CO., LTD. All Rights Reserved.
 2 In case of consideration for using Automotive equipment / device which demand high reliability, kindly contact our sales window correspondents.

ELV. RoHS COMPLIANT

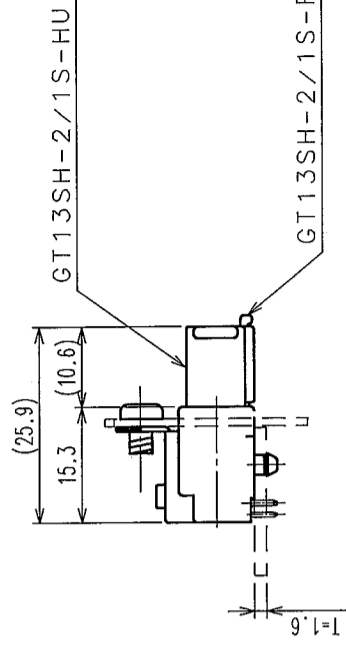
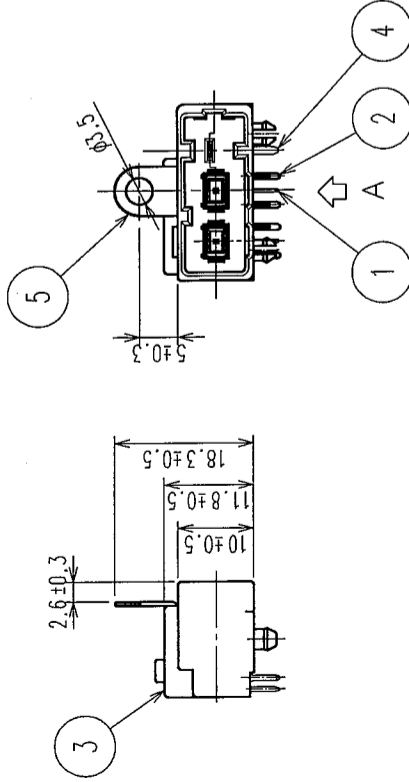
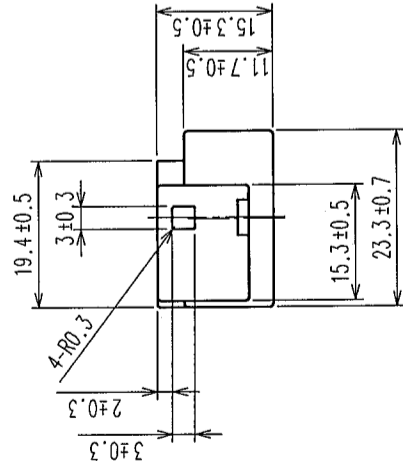
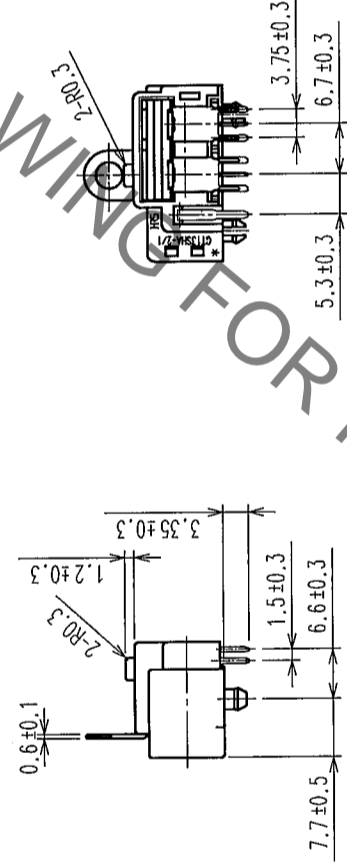
COUNT	DESCRIPTION OF REVISIONS	BY	CHKD	DATE	COUNT	DESCRIPTION OF REVISIONS	BY	CHKD	DATE
△					△				
△					△				
△					△				



RECOMMENDED PANEL LAYOUT



RECOMMENDED PCB LAYOUT
(VIEW FROM BOTTOM SURFACE)



MATED PAIR FOR USE

NO.	MATERIAL	FINISH, REMARKS	NO.	MATERIAL	FINISH, REMARKS
2	COPPER ALLOY	TIN PLATED	5	COPPER ALLOY	TIN PLATED
1	COPPER ALLOY	TIN PLATED	4	COPPER ALLOY	TIN PLATED
			3	PBT	LIGHT GLAY, UL94HB

CODE NO. (OLD)	CL	DRAWN	DESIGNED	CHECKED	APPROVED	RELEASED
		S.KURIYA	M.OKADA	K. Sato	K. Sato	
		07.3.7	02.11.21	07.3.7	07.3.7	

DRAWING NO.	PART NO.
EDC3-166127	GT13SHA-2/1PP-DS

SCALE	CODE NO.
1 : 1	CL763-0063-0

UNITS	FORM NO.
MM	22

TO

Mouser Electronics

Authorized Distributor

Click to View Pricing, Inventory, Delivery & Lifecycle Information:

[Hirose Electric:](#)

[GT13SHA-2/1PP-DS](#)