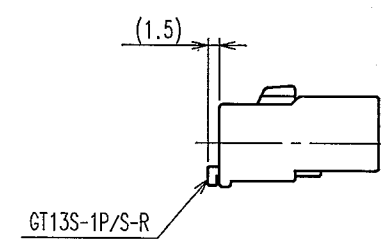
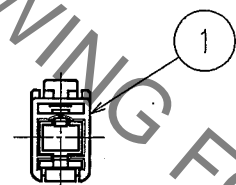
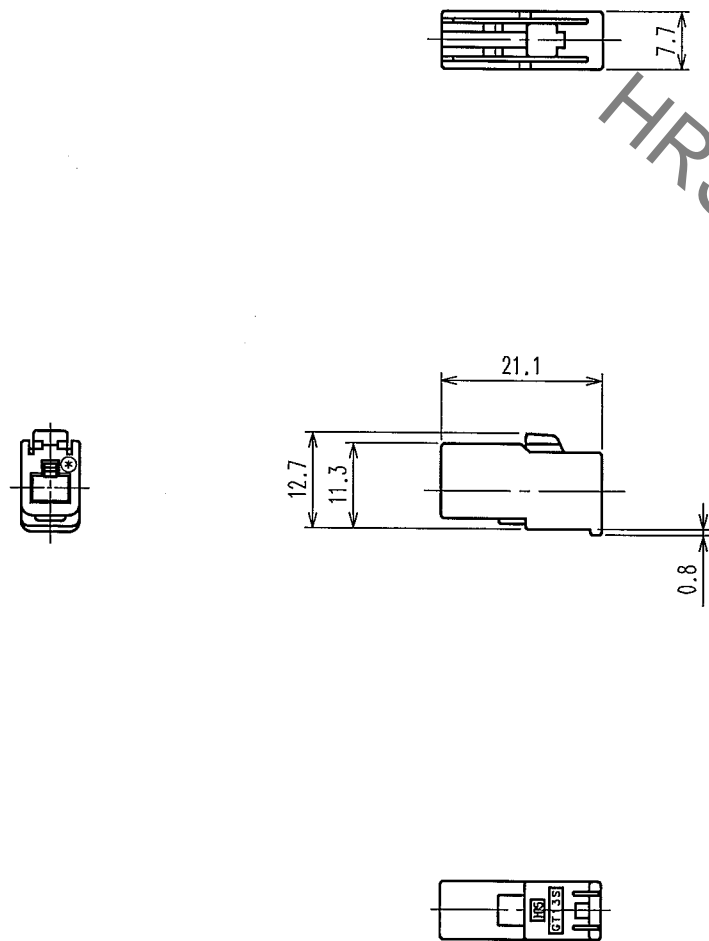


Sep.1.2021 Copyright 2021 HIROSE ELECTRIC CO., LTD. All Rights Reserved.
 In case of consideration for using Automotive equipment / device which demand high reliability, kindly contact our sales window correspondents.

COUNT	DESCRIPTION OF REVISIONS	BY	CHKD	DATE	COUNT	DESCRIPTION OF REVISIONS	BY	CHKD	DATE
△				..	△				..
△				..	△				..
△				..	△				..



CONNECTOR ASSEMBLED WITH A RETAINER

HRS DRAWING FOR REFERENCE

NOTE
 1. THIS CONNECTOR SHALL BE USED WITH A RETAINER (CL763-0033-0)

1	PBT	UL94HB LIGHT GRAY
NO.	MATERIAL	FINISH, REMARKS

CODE NO. (OLD) CL	DRAWN S. KURIYA 05.6.8	DESIGNED M. OKADA 01.10.17	CHECKED <i>K. Sato</i> 05.6.22	APPROVED <i>K. Sato</i> 05.6.22	RELEASED ..
SCALE 1 : 1 UNITS mm	DRAWING NO. EDC3-165786 HRS HIROSE ELECTRIC CO., LTD		PART NO. GT13S-1S-HU		
CODE NO. CL763-0024-9				1/1	

Mouser Electronics

Authorized Distributor

Click to View Pricing, Inventory, Delivery & Lifecycle Information:

[Hirose Electric:](#)

[GT13S-1S-HU](#)