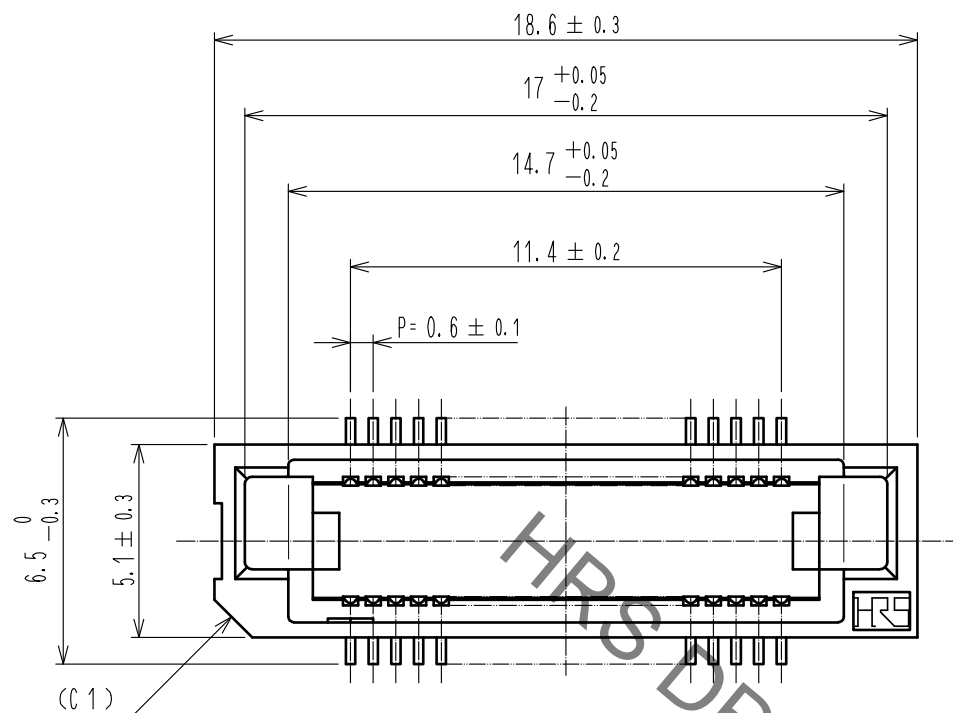
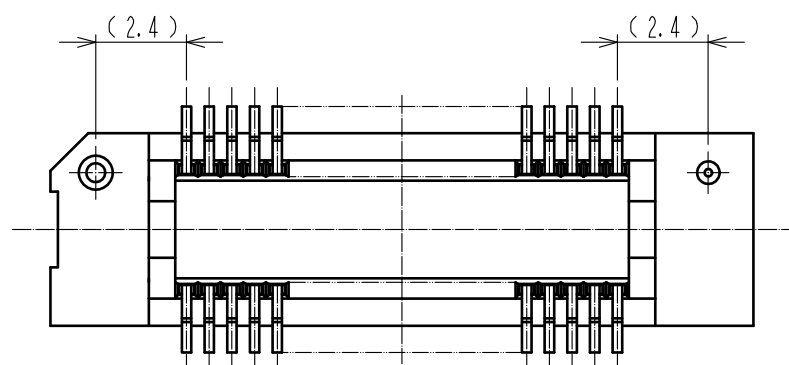
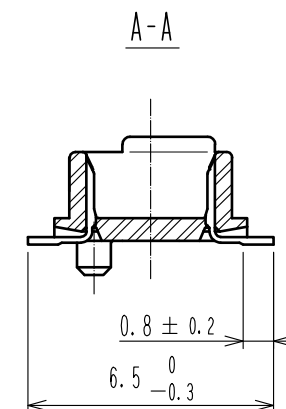
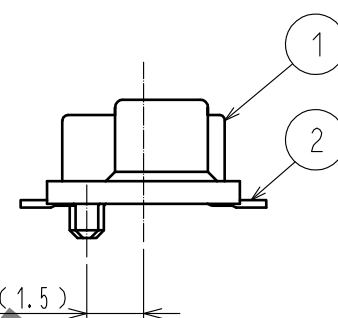
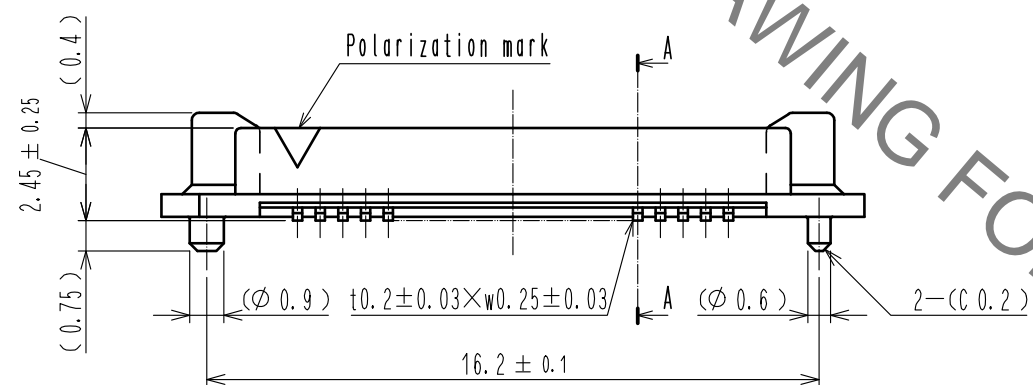
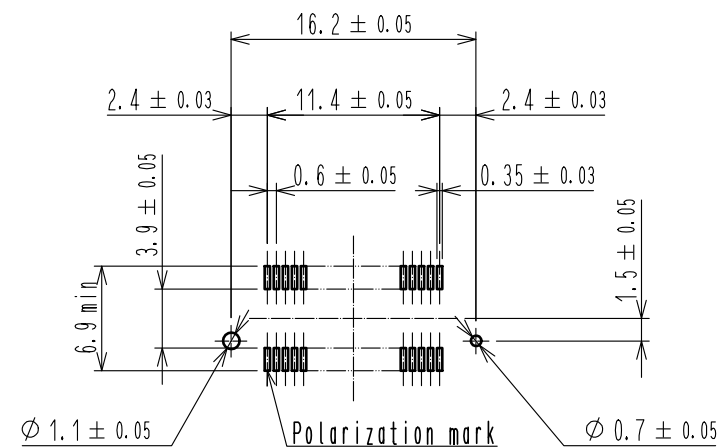


Sep.1.2021 Copyright 2021 HIROSE ELECTRIC CO., LTD. All Rights Reserved.
In case of consideration for using Automotive equipment / device which demand high reliability, kindly contact our sales window correspondents.



Recommended land pattern dimension of PCB (mounting side) (2:1)



- Notes 1 Lead CO-PLANARITY shall be 0.1mm max.
2 For modification, etc., preventive hole for sink mark may be added according to circumstances.
3 The dimensions in parentheses are for reference.

1 PPS		Light brown (UL94V-0)		2 PHOSPHOR BRONZE		Contact area : Gold 0.1µm min.	
NO. MATERIAL		FINISH . REMARKS		NO. MATERIAL		FINISH . REMARKS	
						Lead area : Gold flash	
						Under plating : Nickel 0.5µm min.	
UNITS	⊙	SCALE	COUNT	DESCRIPTION OF REVISIONS	DESIGNED	CHECKED	DATE
mm		5 : 1	1	DIS-F-00006410	KS. NAKAJIMA	HT. YAMAGUCHI	20200803
APPROVED : HS. OKAWA		20051109		DRAWING NO. EDC-150989-71-25			
CHECKED : HS. OZAWA		20051109		PART NO. FX8-40P-SV(71)			
DESIGNED : TK. YANAGISAWA		20051109		CODE NO. CL578-0009-8-71			
DRAWN : TK. YANAGISAWA		20051109		1/2			

Added precaution

In case of consideration for using Automotive equipment / device which demand high reliability, kindly contact our sales window correspondents.

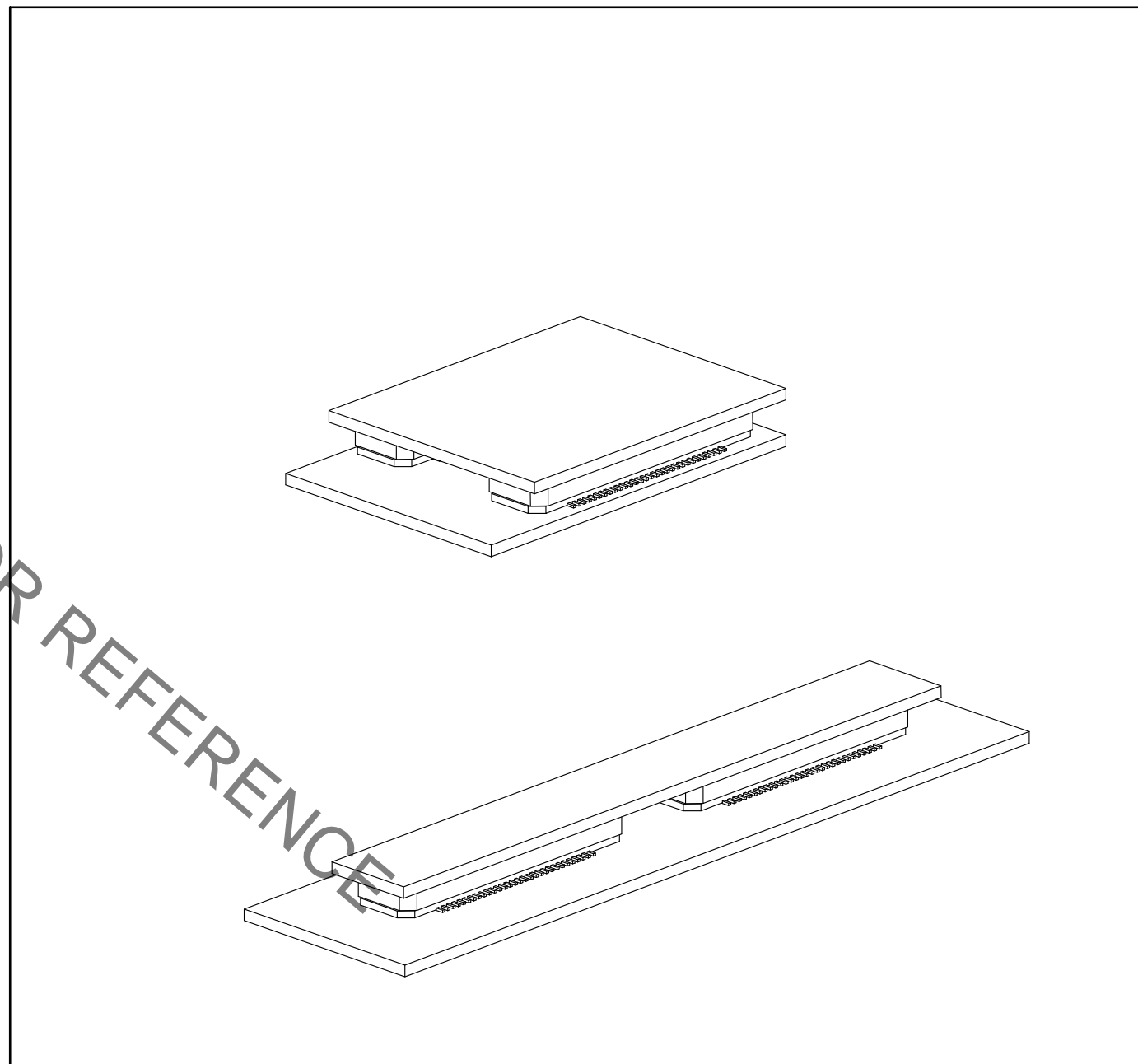
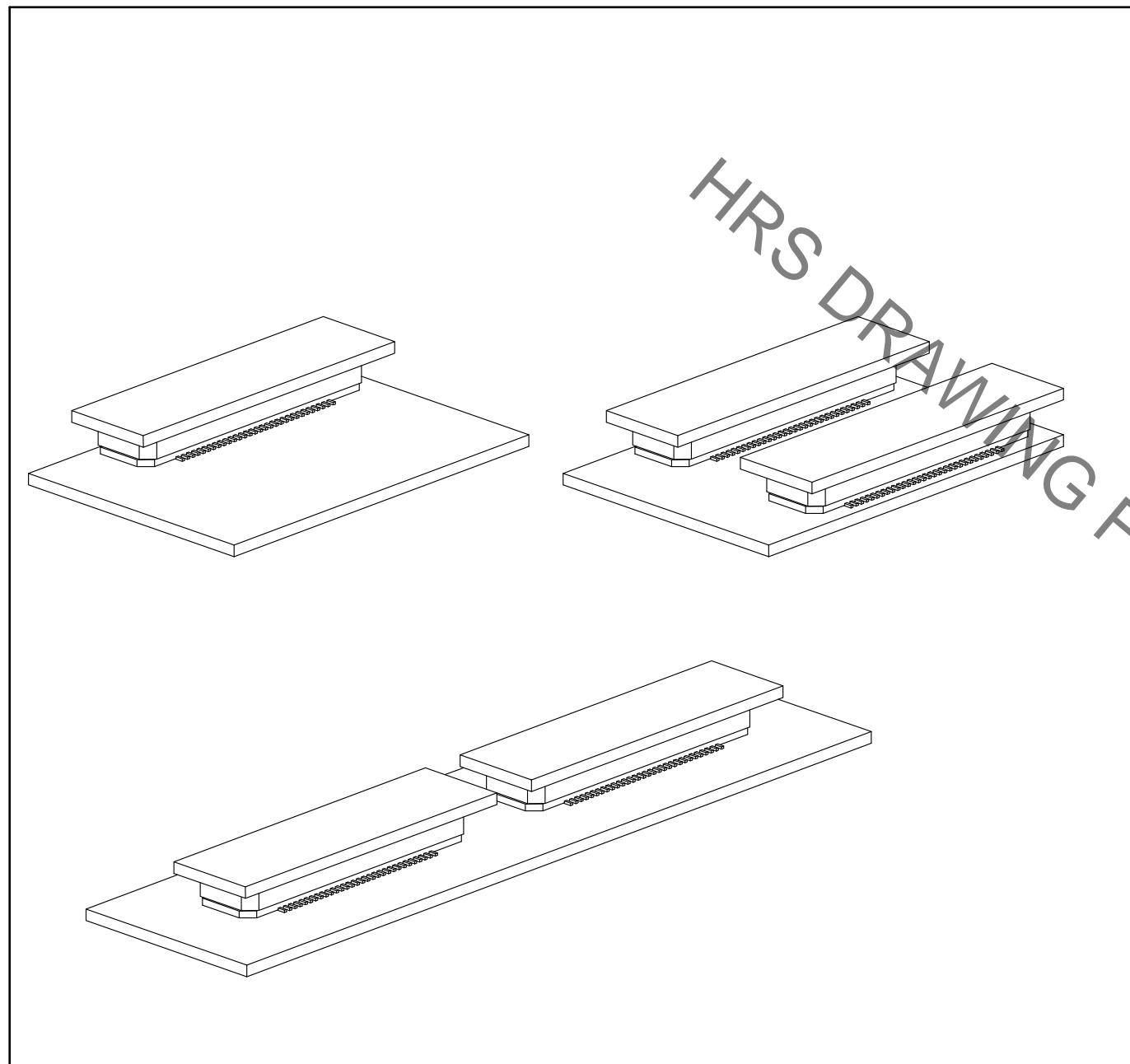
Sep.1.2021 Copyright 2021 HIROSE ELECTRIC CO., LTD. All Rights Reserved.

【 Precaution 】

When a board with multiple connectors mounted is mated, the connector may be damaged or deformed.
Please divide one side of the board so only one connector is mated per board.

OK

NG



HRS DRAWING FOR REFERENCE

HRS	DRAWING NO.	EDC-150989-71-25
	PART NO.	FX8-40P-SV(71)
	CODE NO.	CL578-0009-8-71
		2/2

Mouser Electronics

Authorized Distributor

Click to View Pricing, Inventory, Delivery & Lifecycle Information:

[Hirose Electric:](#)

[FX8-40P-SV\(71\)](#)