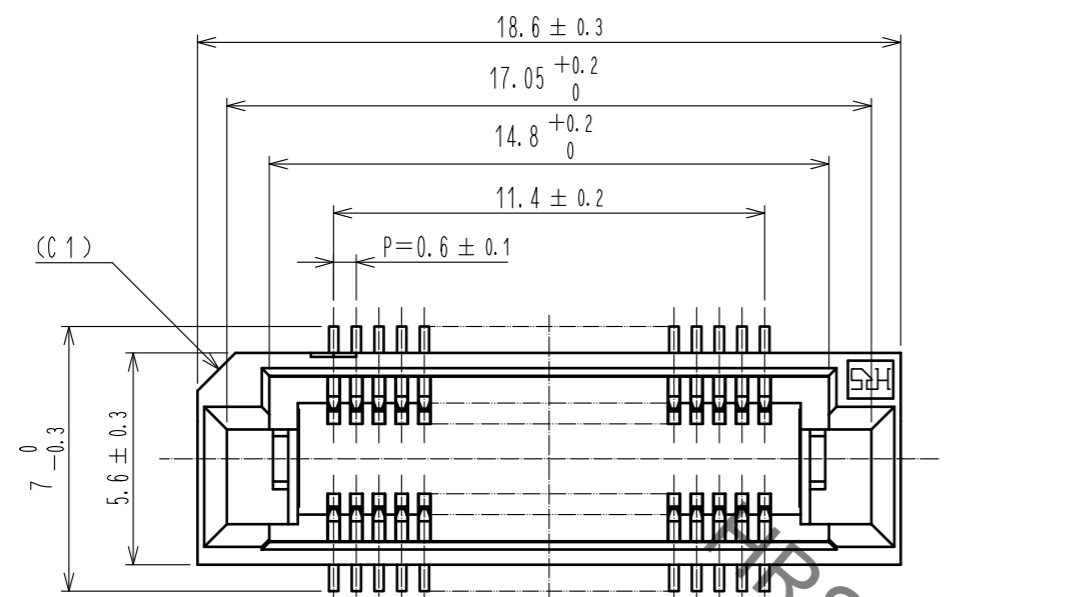
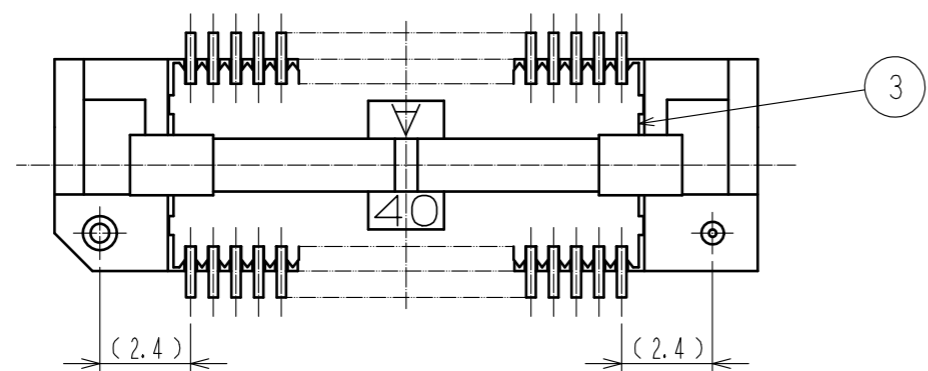
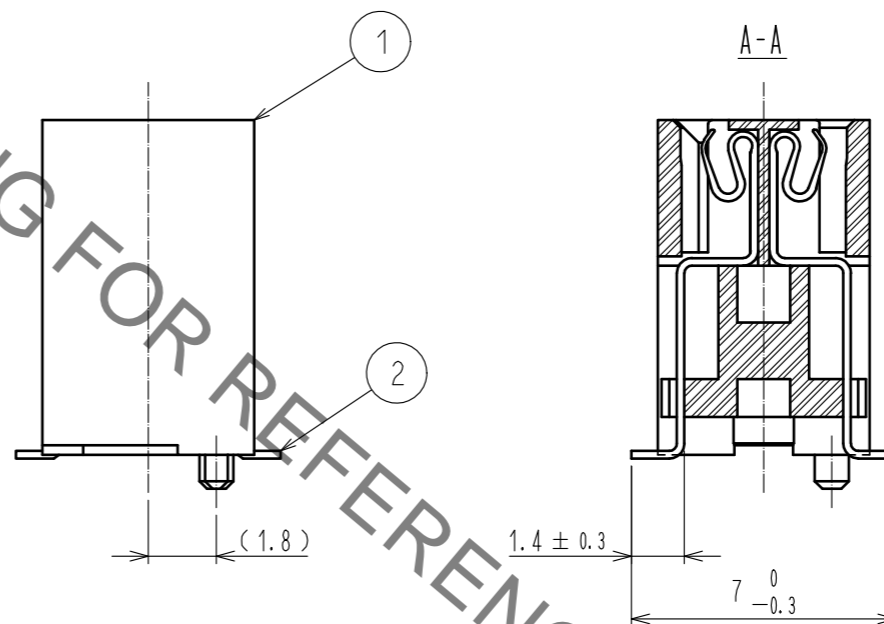
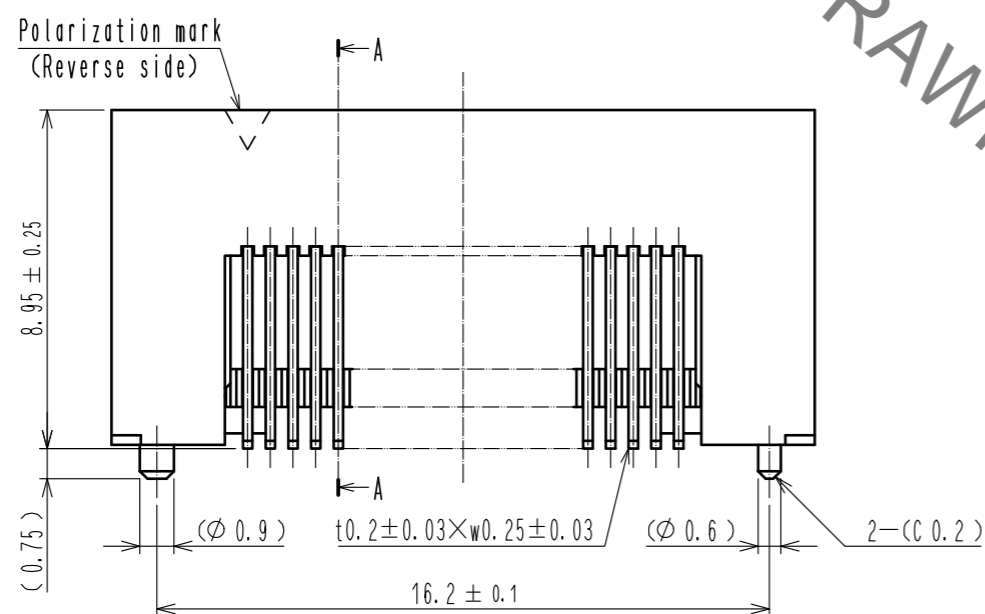
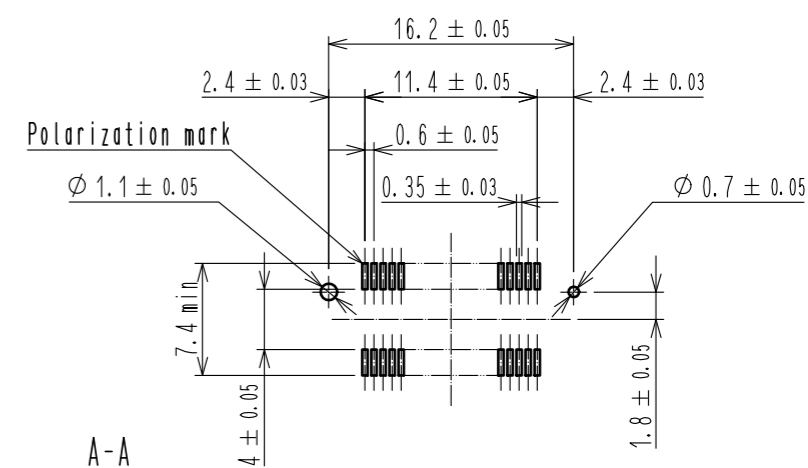


Sep.1.2021 Copyright 2021 HIROSE ELECTRIC CO., LTD. All Rights Reserved.  
In case of consideration for using Automotive equipment / device which demand high reliability, kindly contact our sales window correspondents.



Recommended land pattern dimension of PCB (mounting side) (2:1)



- Notes 1 Lead CO-PLANARITY shall be 0.1mm max.  
2 For modification, etc., preventive hole for sink mark may be added according to circumstances.  
3 The dimensions in parentheses are for reference.

1, 3	PPS	Light brown (UL94V-0)	2	PHOSPHOR BRONZE	Contact area : Gold 0.1µm min. Lead area : Tin-plating 1µm min. Under plating : Nickel 1µm min.
NO.	MATERIAL	FINISH . REMARKS	NO.	MATERIAL	FINISH . REMARKS
UNITS mm		SCALE 5 : 1	COUNT 1	DESCRIPTION OF REVISIONS DIS-F-00006419	DESIGNED KS. NAKAJIMA
		APPROVED : HS. OKAWA	20070419	DRAWING NO.	EDC-151170-71-25
HIROSE ELECTRIC CO., LTD.		CHECKED : HS. OZAWA	20070419	PART NO.	FX8C-40S-SV5(C71)
		DESIGNED : SY. KAMIGA	20070419	CODE NO.	CL578-0829-1-71
		DRAWN : SY. KAMIGA	20070419		

Added precaution

In case of consideration for using Automotive equipment / device which demand high reliability, kindly contact our sales window correspondents.

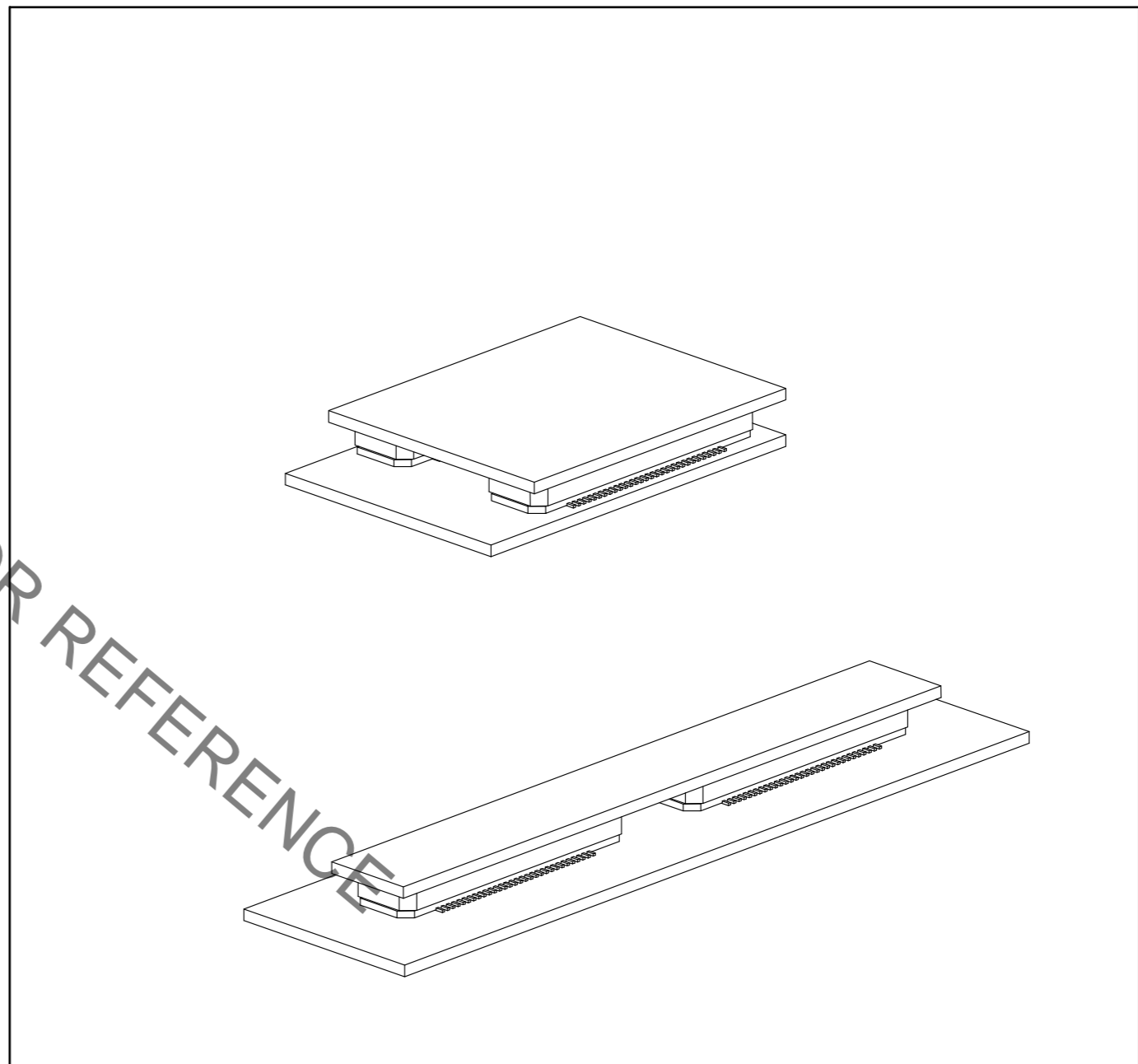
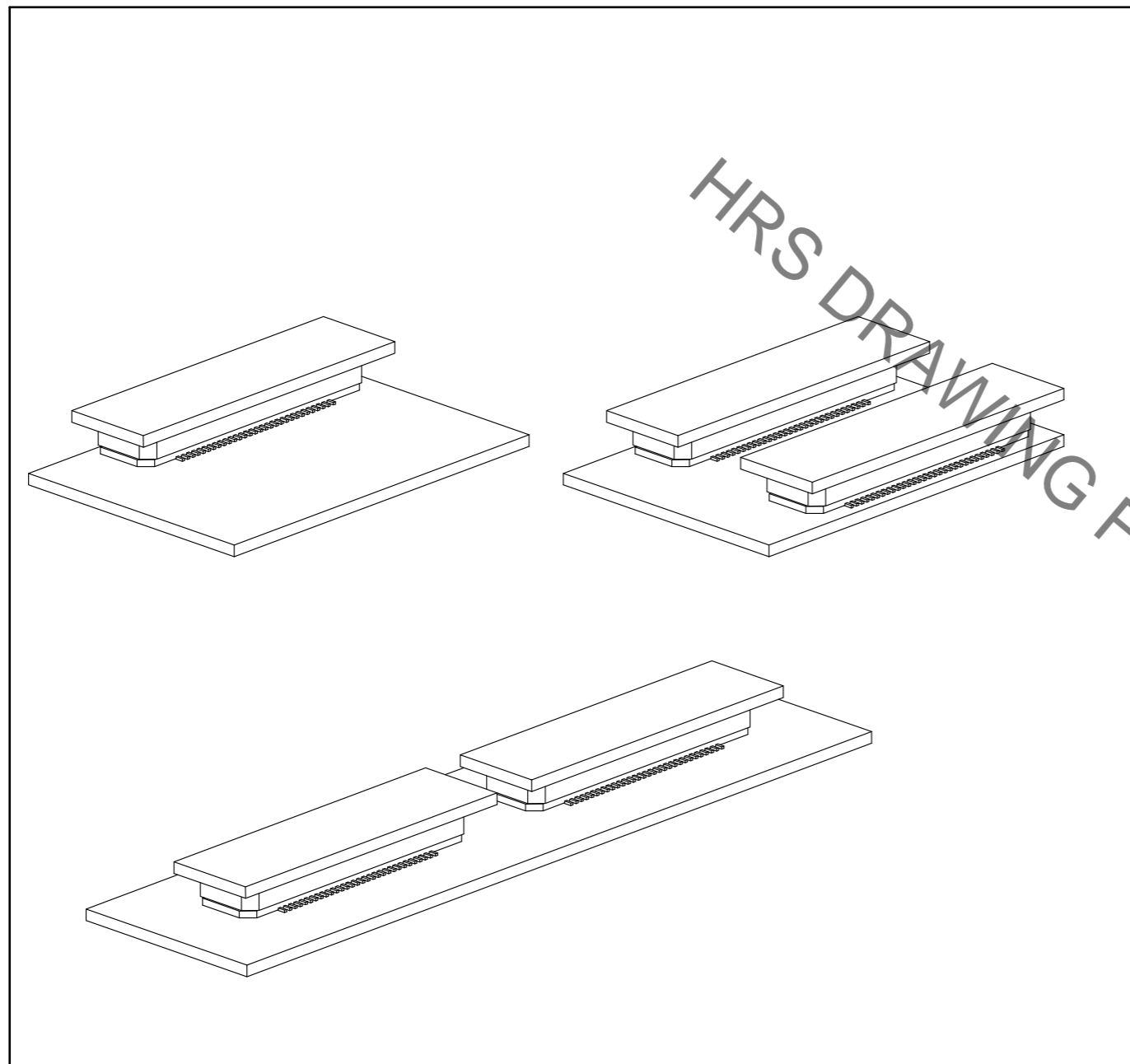
Sep.1.2021 Copyright 2021 HIROSE ELECTRIC CO., LTD. All Rights Reserved.

【 Precaution 】

When a board with multiple connectors mounted is mated, the connector may be damaged or deformed.  
Please divide one side of the board so only one connector is mated per board.

OK

NG



HRS DRAWING FOR REFERENCE

<b>HRS</b>	DRAWING NO.	EDC-151170-71-25
	PART NO.	FX8C-40S-SV5(71)
	CODE NO.	CL578-0829-1-71
		2/2

# Mouser Electronics

Authorized Distributor

Click to View Pricing, Inventory, Delivery & Lifecycle Information:

[Hirose Electric:](#)

[FX8C-40S-SV5\(71\)](#)