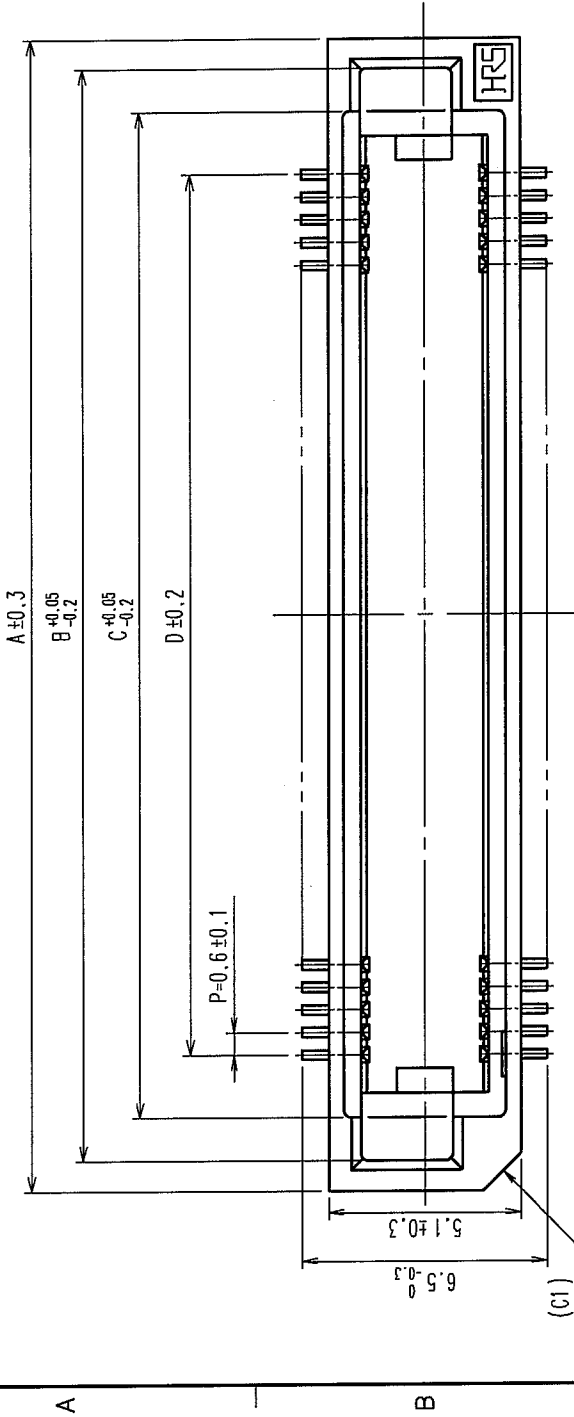
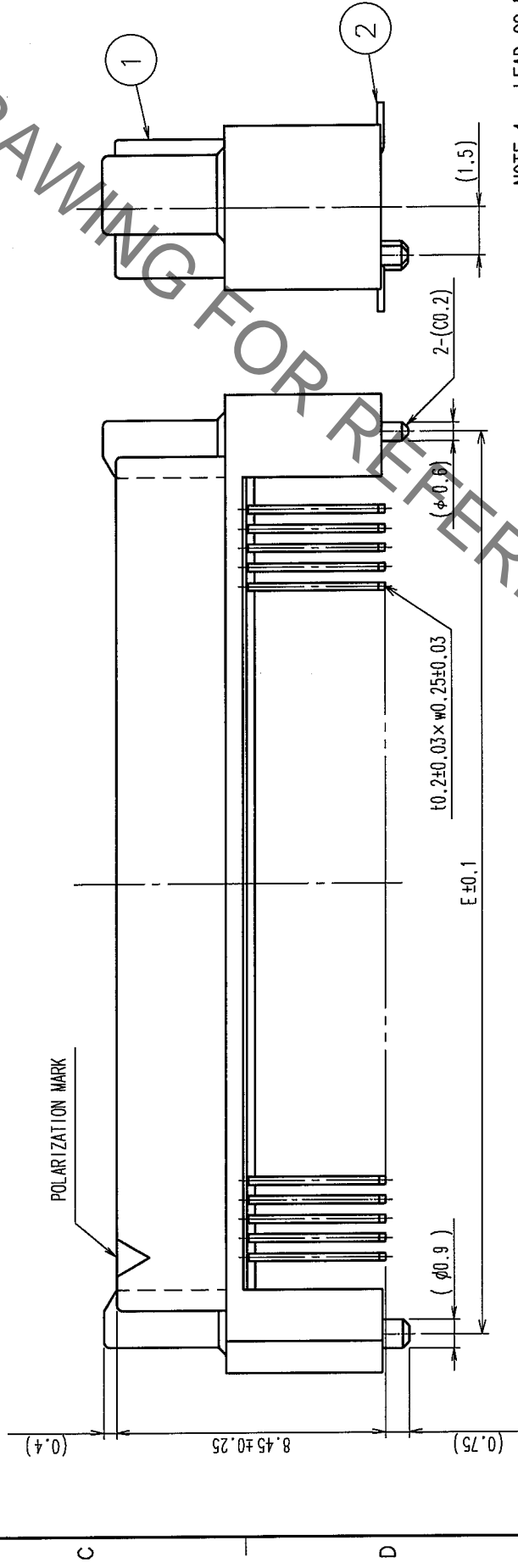
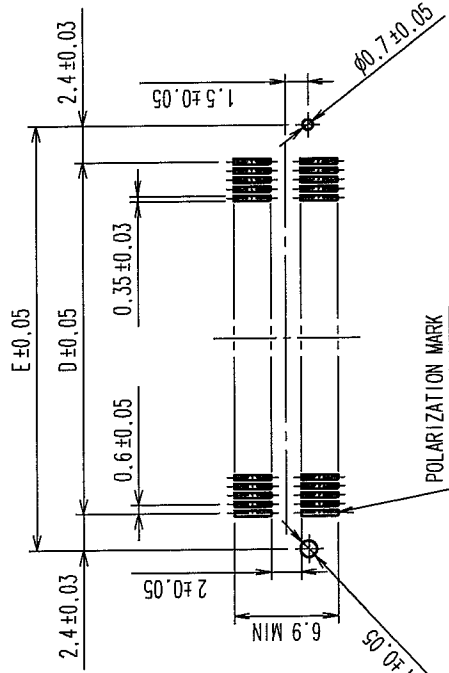


COUNT	DESCRIPTION OF REVISIONS	BY	CHKD	DATE	COUNT	DESCRIPTION OF REVISIONS	BY	CHKD	DATE
3	RE-F-09671	K.N	H.Y	04.04.08					



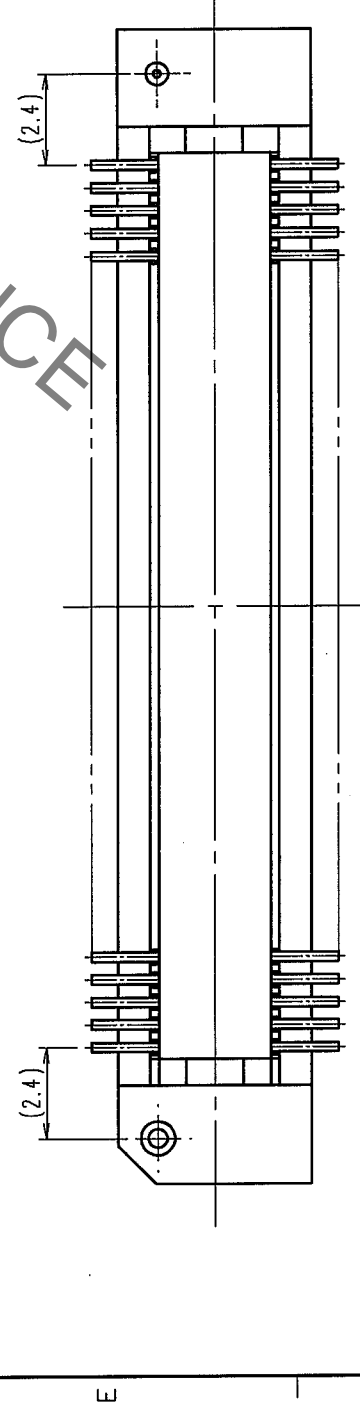
RECOMMENDED LAND PATTERN DIMENSION OF P.C.B. (MOUNTING SIDE)



DIMENSION TABLE OF CONNECTOR AND P.C.B. LAND PATTERN.

PART No.	CODE No.	A	B	C	D	E
FX8C-60P-SV4(92)	CL578-0581-8-92	60	24.60	23.00	20.70	17.40
FX8C-80P-SV4(92)	CL578-0583-3-92	80	30.60	29.00	26.70	23.40
FX8C-100P-SV4(92)	CL578-0585-9-92	100	36.60	35.00	32.70	29.40
FX8C-120P-SV4(92)	CL578-0586-1-92	120	42.60	41.00	38.70	35.40
FX8C-140P-SV4(92)	CL578-0587-4-92	140	48.60	47.00	44.70	41.40

- NOTE 1. LEAD CO-PLANARITY SHALL BE 0.1mm MAX.  
 2. EMBOSSED CARRIER TAPE PACKAGING SHALL BE APPLIED FOR THIS PRODUCT. SEE NEXT PAGE FOR DETAILS.  
 3. FOR MODIFICATION, ETC., PREVENTIVE HOLE FOR SINK MARK MAY BE ADDED ACCORDING TO CIRCUMSTANCES.  
 4. THE DIMENSIONS IN PARENTHESES ARE FOR REFERENCE.  
 5 NUMBER OF CONTACTS.

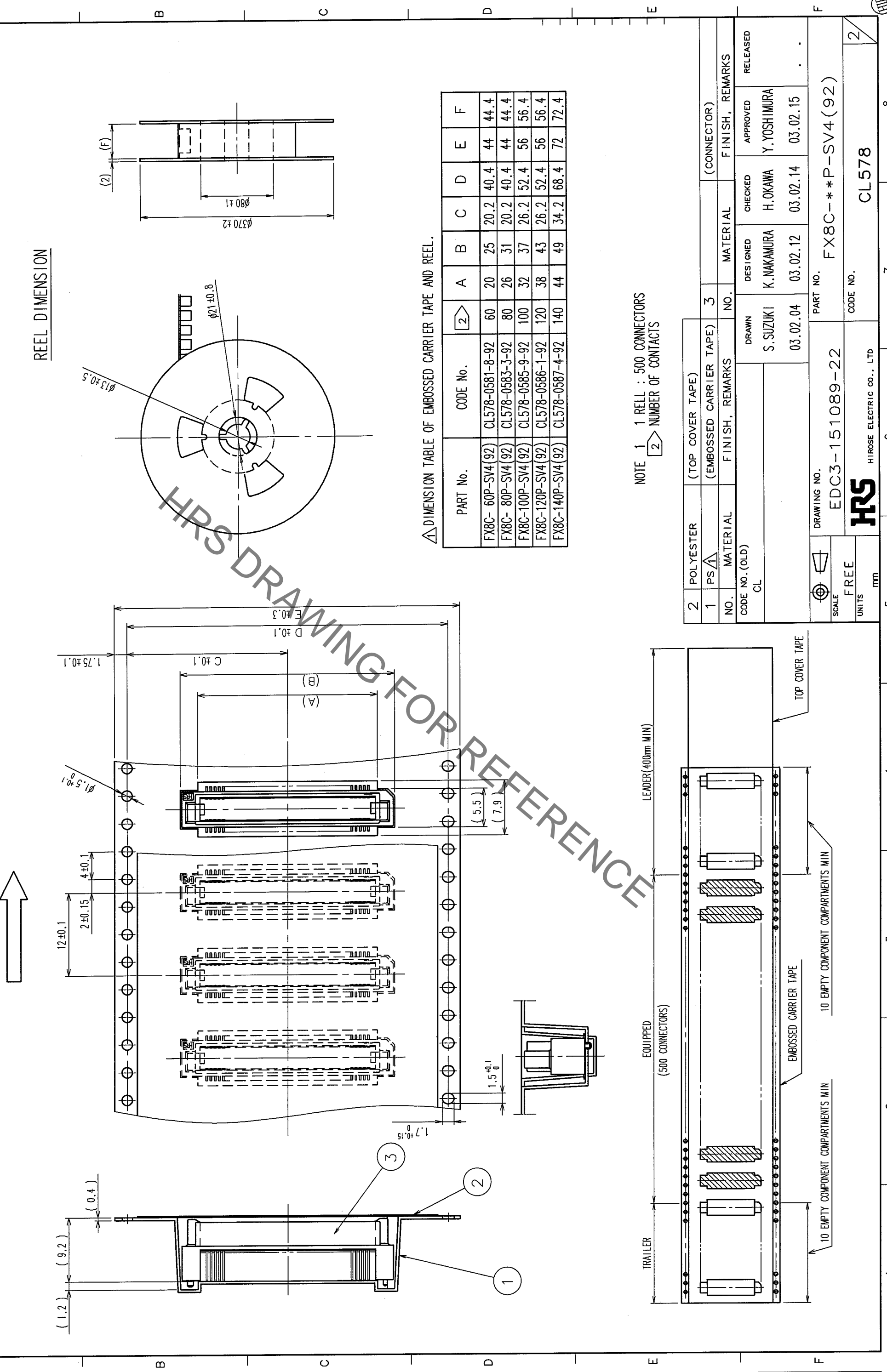


NO.	MATERIAL	FINISH, REMARKS	NO.	MATERIAL	CHECKED	APPROVED	REMARKS
1	PPS	LIGHT BROWN (UL94V-0)	2	PHOSPHOR BRONZE			
CONTACT AREA:	GOLD 0.1μm min						
LEAD AREA:	TIN-PLATING 1μm min						
UNDER PLATING:	NICKEL 1μm min						
FINISH:	NICKEL						
DESIGNED	K. NAKAMURA						
CHECKED	H. OKAWA						
APPROVED	Y. YOSHIMURA						
DRAWN	S. SUZUKI						
NO.	03.02.04						
DESIGNED	03.02.12						
CHECKED	03.02.14						
APPROVED	03.02.15						
REMARKS							

TO	
PCK	

DRAWING NO.	EDC3-151089-22		PART NO.	FX8C-**P-SV4(92)	
SCALE	FREE		CODE NO.	CL578	
UNITS	mm				

COUNT	DESCRIPTION OF REVISIONS	BY	CHKD	DATE	COUNT	DESCRIPTION OF REVISIONS	BY	CHKD	DATE



REEL DIMENSION

△ DIMENSION TABLE OF EMBOSSED CARRIER TAPE AND REEL.

PART No.	CODE No.	②	A	B	C	D	E	F
FX8C-60P-SV4(92)	CL578-0581-8-92	60	20	25	20.2	40.4	44	44.4
FX8C-80P-SV4(92)	CL578-0583-3-92	80	26	31	20.2	40.4	44	44.4
FX8C-100P-SV4(92)	CL578-0585-9-92	100	32	37	26.2	52.4	56	56.4
FX8C-120P-SV4(92)	CL578-0586-1-92	120	38	43	26.2	52.4	56	56.4
FX8C-140P-SV4(92)	CL578-0587-4-92	140	44	49	34.2	68.4	72	72.4

NOTE 1 1 REEL : 500 CONNECTORS  
 ② NUMBER OF CONTACTS

2 POLYESTER (TOP COVER TAPE)		3 (CONNECTOR)			
NO.	MATERIAL	FINISH, REMARKS	NO.	MATERIAL	FINISH, REMARKS
1	PS/△		3		
CODE NO. (OLD) CL		DRAWN S. SUZUKI 03.02.04		DESIGNED K. NAKAMURA 03.02.12	
SCALE FREE		PART NO. EDC3-151089-22		APPROVED H. OKAWA 03.02.14	
UNITS ITIT		DRAWING NO. EDC3-151089-22		CHECKED Y. YOSHIMURA 03.02.15	
		DRAWING NO. EDC3-151089-22		RELEASER Y. YOSHIMURA	
		PART NO. FX8C-**P-SV4(92)			
		CODE NO. CL578			

TO	
PCK	

# Mouser Electronics

Authorized Distributor

Click to View Pricing, Inventory, Delivery & Lifecycle Information:

[Hirose Electric:](#)

[FX8C-120P-SV4\(92\)](#)