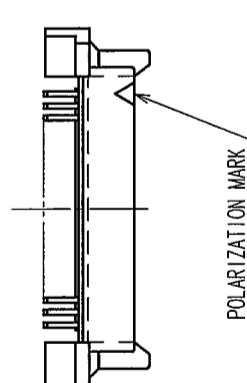
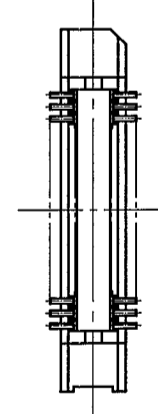
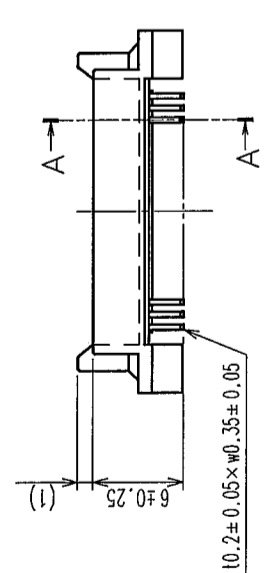
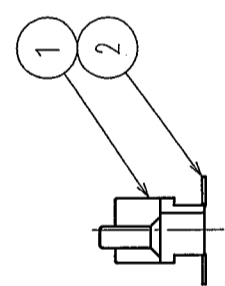
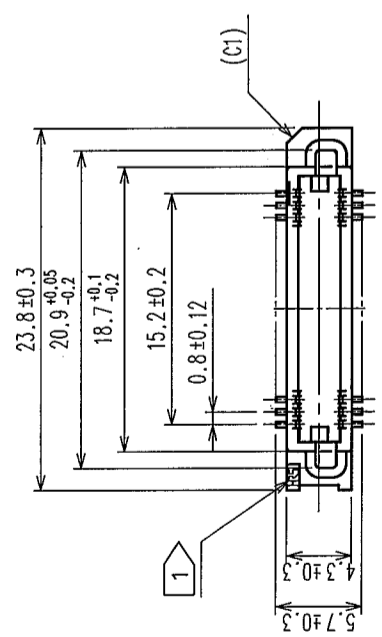
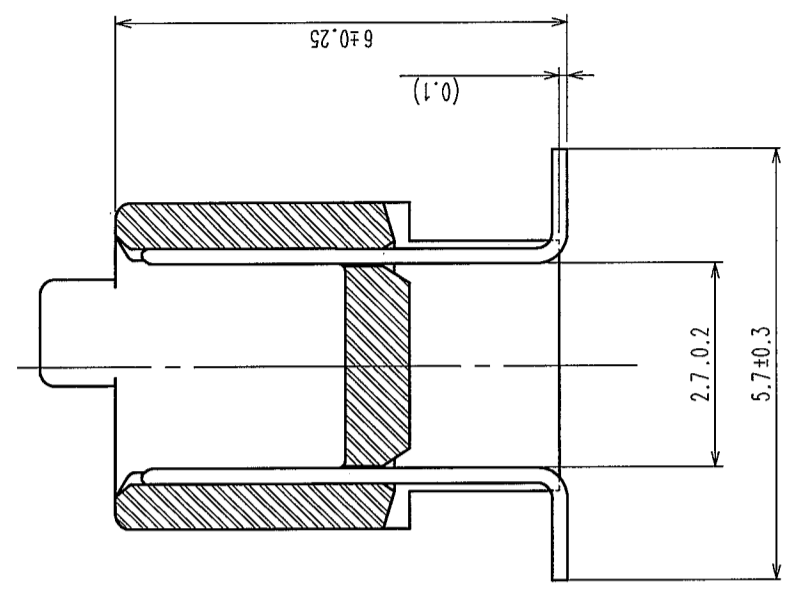


COUNT	DESCRIPTION OF REVISIONS	BY	CHKD	DATE	COUNT	DESCRIPTION OF REVISIONS	BY	CHKD	DATE
△				..	△				..
△				..	△				..
△				..	△				..



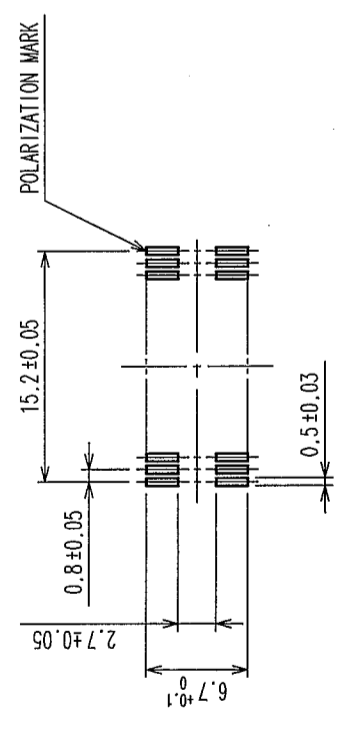
A-A (10:1)



HRS DRAWING FOR REFERENCE

- NOTE
- 1 HRS MARK SHALL BE OPTIONAL.
  - 2 LEAD CO-PLANARITY SHALL BE 0.1mm MAX.
  - 3 THE DIMENSIONS IN PARENTHESES ARE FOR REFERENCE.
  - 4 EMBOSSED CARRIER TAPE PACKAGING SHALL BE APPLIED FOR THIS PRODUCT.
  - 5 FOR MODIFICATION, ETC, PREVENTIVE HOLE FOR SINK MARK MAY BE ADDED ACCORDING TO CIRCUMSTANCES.

RECOMMENDED P.C.B. LAND PATTERN(MOUNT SIDE)



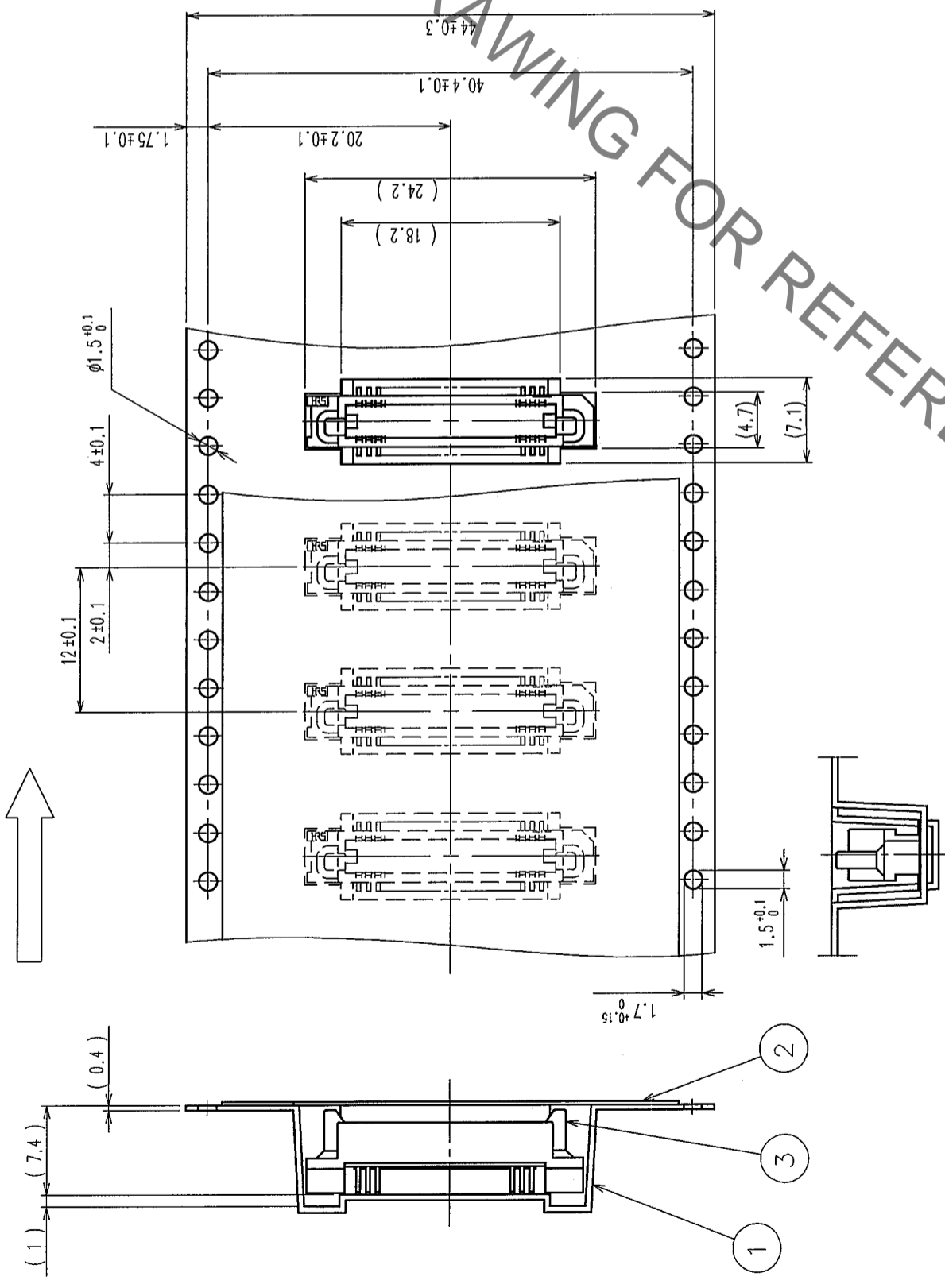
1	POLYPHENYLENE SULFIDE	LIGHT BROWN	UL94V-0	2	PHOSPHOR BRONZE	CONTACT AREA : GOLD 0.1μm min.
NO.	MATERIAL	FINISH, REMARKS	NO.	MATERIAL	FINISH, REMARKS	LEAD AREA : TIN-PLATING 1μm min.
CODE NO. (OLD)	CL		DESIGNED	J. Noda	05.09.27	UNDER PLATING : NICKEL 1μm min.
			DRAWN	Y. Aoyagi	05.09.27	
			CHECKED	K. Ogawa	05.09.27	
			APPROVED	H. Okawa	05.09.27	
			RELEASED			
DRAWING NO.		PART NO.		REMARKS		
EDC3-071321-22		FX6A-40P-0.8SV2(92)				
SCALE	2:1	UNITS		mm		
HRS		HIROSE ELECTRIC CO., LTD		CL576-0243-2-92		

TO	

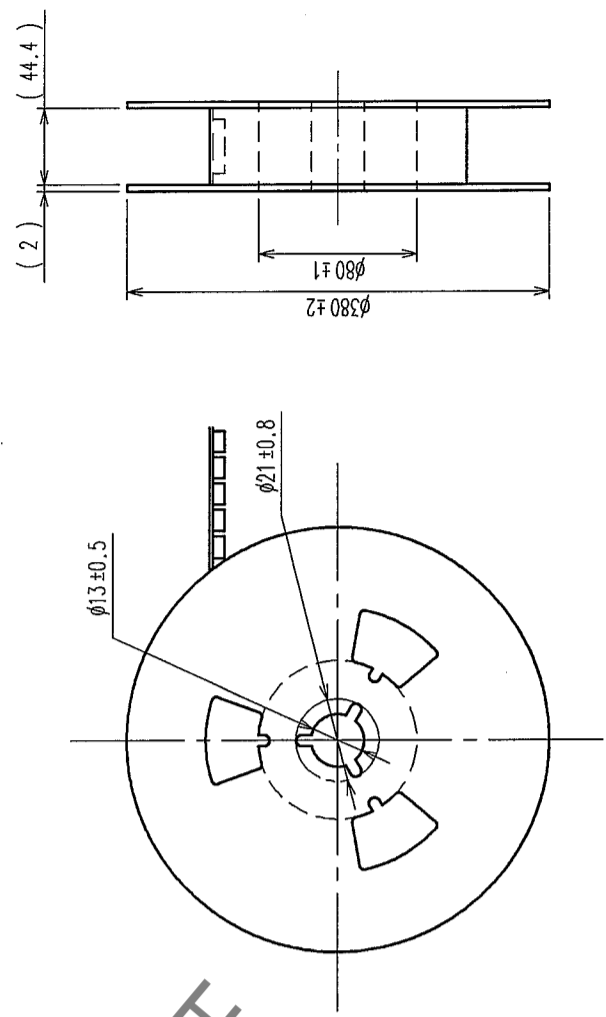
2 In case of consideration for using Automotive equipment / device which demand high reliability, kindly contact our sales window correspondents.

COUNT	DESCRIPTION OF REVISIONS	BY	CHKD	DATE	COUNT	DESCRIPTION OF REVISIONS	BY	CHKD	DATE

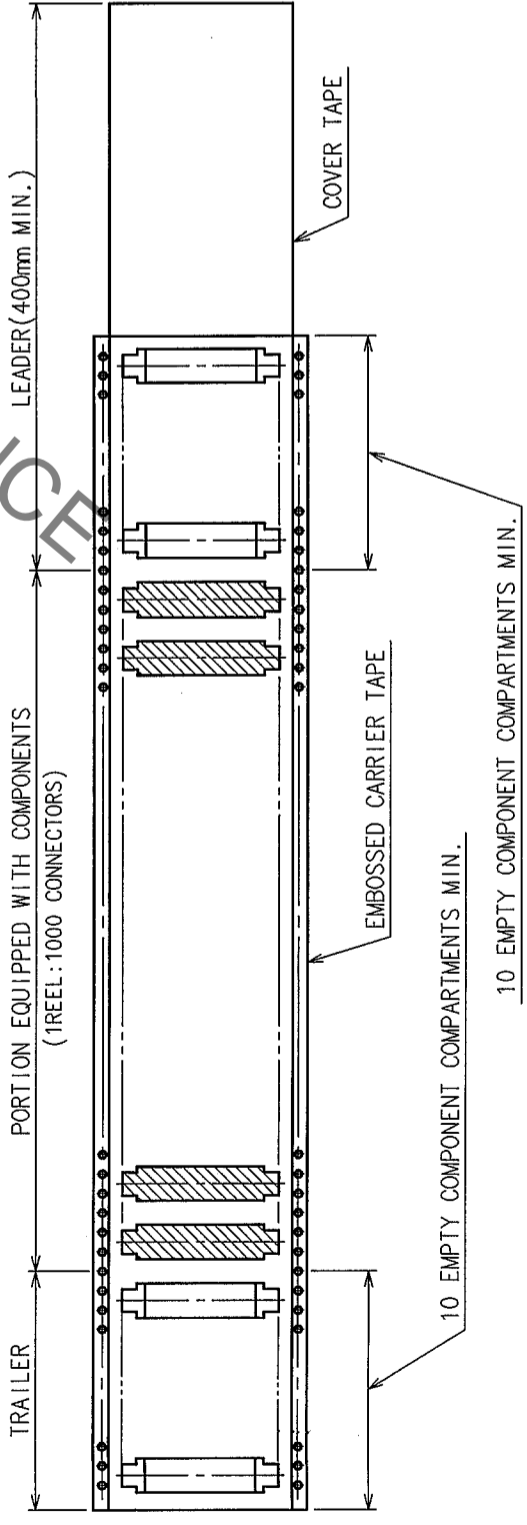
DIRECTION OF UNREELING



STYLE AND DIMENSION OF REEL (FREE)



HRS DRAWING FOR REFERENCE



NOTE 1 THE DIMENSIONS IN PARENTHESES ARE FOR REFERENCE.  
2 1 REEL : 1000 CONNECTORS.

2	POLYESTER	COVER TAPE	NO.	MATERIAL	FINISH, REMARKS	DESIGNED	DRAWN	NO.	MATERIAL	FINISH, REMARKS	APPROVED	RELEASED
1	POLYSTYRENE	EMBOSSED CARRIER TAPE	3		(CONNECTOR)		Y.AOYAGI					
NO.	MATERIAL	FINISH, REMARKS	NO.	MATERIAL	FINISH, REMARKS	DESIGNED	DRAWN	NO.	MATERIAL	FINISH, REMARKS	APPROVED	RELEASED
CODE NO. (OLD)	CL					J. Noda	Y. Aoyagi				H. Okawa	
						'05.09.27	'05.09.27				'05.09.27	
DRAWING NO.	EDC3-071321-22		PART NO.	FX6A-40P-0.8SV2(92)								
SCALE	2 : 1		CODE NO.	CL576-0243-2-92								
UNITS	mm											

TO

# Mouser Electronics

Authorized Distributor

Click to View Pricing, Inventory, Delivery & Lifecycle Information:

[Hirose Electric:](#)

[FX6A-40P-0.8SV2\(92\)](#)